

AF09ZR ... AF30ZR 3-pole reversing contactors

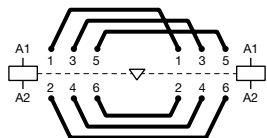
5 to 20 hp at 480 V AC

AC / DC operated - low consumption

2



AF09ZR-30-22



Power bus diagram

Description

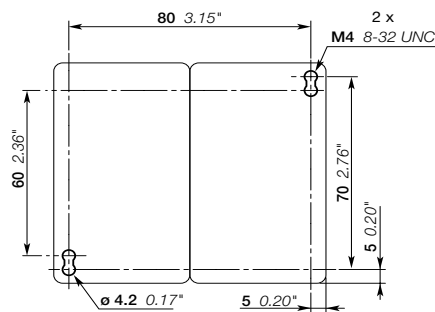
- AF09ZR ... AF30ZR reversing contactors are mainly used for directionally controlling 3-phase motor circuits up to 690V AC. These devices include two 3-pole contactors, a mechanical and electrical interlock, power bus (see diagram to the left), and are assembled using fixing clips.
- **Note: for mechanically and electrically interlocked devices without power bus, replace the R in the catalog number with an M (ie. AF09ZR-30-22-23 becomes AF09ZM-30-22-23).**
- Control circuit: AC or DC operated with electronic coil interface accepting a wide control voltage
- Range (e.g. 100...250 V AC and DC), only 4 control voltage ranges covering 24...250 V 50/60 Hz and 20...250 V DC
 - can manage large control voltage variations
 - allow direct control by PLC-output ≥ 24 V DC 500 mA
 - reduced panel energy consumption
 - very distinct closing and opening
 - can withstand short voltage dips and voltage sags (SEMI F47-0706 conditions of use on request).
- Built-in surge suppression
- Add-on auxiliary contact blocks for front or side mounting and a wide range of accessories.

Ordering details

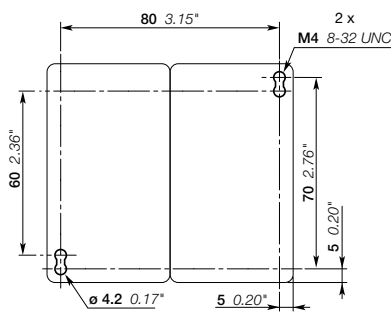
IEC Rated operational power kW	UL/CSA 3-phase motor rating 480 V AC-1 A	General use rating 600 V AC hp	Rated control circuit voltage Uc min. ... Uc max.		Auxiliary contacts fitted (1)	Catalog number	Global reference code (2)	Weight Pkg (1 pce) kg	
			V 50/60 Hz	V DC					
4	25	5	25	24...60	20...60	2	2	AF09ZR-30-22-21	0.702
				48...130	48...130	2	2	AF09ZR-30-22-22	0.702
				100...250	100...250	2	2	AF09ZR-30-22-23	0.702
5.5	28	7.5	28	24...60	20...60	2	2	AF12ZR-30-22-21	0.702
				48...130	48...130	2	2	AF12ZR-30-22-22	0.702
				100...250	100...250	2	2	AF12ZR-30-22-23	0.702
7.5	30	10	30	24...60	20...60	2	2	AF16ZR-30-22-21	0.702
				48...130	48...130	2	2	AF16ZR-30-22-22	0.702
				100...250	100...250	2	2	AF16ZR-30-22-23	0.702
11	45	15	45	24...60	20...60	0	2	AF26ZR-30-02-21	0.837
				48...130	48...130	2	2	AF26ZR-30-02-22	0.837
				100...250	100...250	2	2	AF26ZR-30-02-23	0.837
				24...60	20...60	2	2	AF26ZR-30-22-21	0.865
				48...130	48...130	2	2	AF26ZR-30-22-22	0.865
				100...250	100...250	2	2	AF26ZR-30-22-23	0.865
15	50	20	50	24...60	20...60	0	2	AF30ZR-30-02-21	0.837
				48...130	48...130	2	2	AF30ZR-30-02-22	0.837
				100...250	100...250	2	2	AF30ZR-30-02-23	0.865
				24...60	20...60	2	2	AF30ZR-30-22-21	0.865
				48...130	48...130	2	2	AF30ZR-30-22-22	0.837
				100...250	100...250	2	2	AF30ZR-30-22-23	0.865

(1) Normally closed contacts included as part of the electrical interlock. Normally open auxiliaries are either integral or front-mount.
 (2) Available in the US and Canada only.

Mounting dimensions mm, inches



AF09ZR, AF12ZR, AF16ZR



AF26ZR, AF30ZR