

# Fusible disconnect switches OS60 and OS100 Gamma range

OS Gamma fusible disconnect switches ensure safe operation, protecting both people and equipment even in extreme conditions.

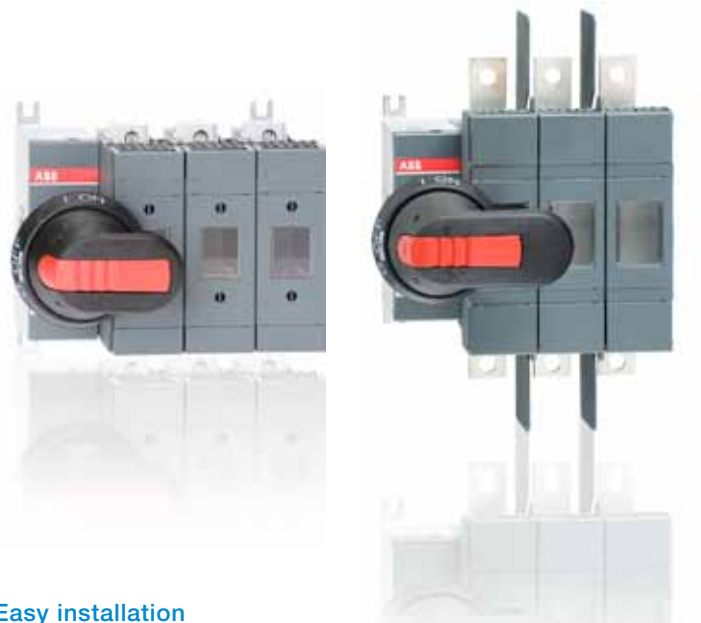
## Designed for safety

Designed and based on substantial experience of electrical safety, OS Gamma fusible disconnect switches eliminate the risk of electrical accidents:

- The interlocking fuse covers prevent opening while the fusible switch is in the ON-position and can be sealed in the closed position.
- Double insulated external operating handle that eliminates the risk of touching live parts outside the box.
- Reliable contact position indication in all situations.
- Frame made of robust plastic, with excellent mechanical and thermal properties.
- Voltage output pins as standard.
- Pole markings as standard.
- You take no risks with OS Gamma range.

## Superior performance

- Smart design, with optimal contact constructions.
- High insulation ratings
- OS Gamma fusible disconnect switches meet the requirements to be installed close to the main transformer: up to 200 kA in heavy industry and in ships.
- Suitable for all applications in low voltage networks



## Easy installation

- Adjustable mounting feet that allow top and side mounting.
- Mounting the cables is simple thanks to high terminal positioning with space to the back plate. This is also ideal for double cabling, which in turn saves space.
- Flexible and time-saving installation

## Compact construction

- An intelligent construction in combination with a small number of components results in a very compact mechanism design.
- Very small footprint area.
- Space savings mean cost reduction

A wide selection of accessories improves the usability of the fusible switches.

# Fusible disconnect switches - OS60 and OS100 Gamma range

## Ordering information / Technical data

### Ordering information

OS60G\_



OS100G\_



Catalog number	Number of poles	Weight/unit [kg]
OS60GJ03	3	1.3
OS60GJ12	3	1.3
OS60GJ04F	4	1.8
OS60GJ22F	4	1.8
OS100GJ03	3	2.2
OS100GJ12	3	2.2
OS100GJ04F	4	2.7
OS100GJ22F	4	2.7

### Accessories

#### Auxiliary Contacts

Item	Catalog number
1NC	OA1G10*
1NO	OA3G01*
Auxiliary contact module	OEA28

\* Add suffix "AU" for gold contacts

#### Lugs

Item	Catalog number
OS100G	OZXA-24

#### Direct mount handles

Item	Catalog number
OS60G & OS100G	OSV200BK

#### DIN rail adapter

Item	Catalog number
OS60G & OS100G	OSGZD1

### Technical data

Technical data according to UL/cUL-us			A	OS 60G	OS 100G
General purpose amp rating		-40° to 40 °C	A	60	100
Max. operating voltage			VAC	600	600
			VDC	250	250
Max. horsepower rating / motor FLA current		240 V	HP/A	15/42.0	30/80.0
		480 V	HP/A	30/40.0	60/77.0
		600 V	HP/A	50/52.0	75/77.0
Short circuit rating with fuse, 3 and 4-pole types			kA	200	200
	UL/CSA fuse size		A	60	100
	UL/CSA fuse type			J	J
Min. electrical endurance	pf= 0.75...0.8	operation cycles		6000	6000
Mechanical endurance		operation cycles		20000	20000
Terminal lug kits				Integral	OZXA-24
Wire range			AWG	#14-4	#14-2/0
Torque	Wire tightening		lb.in	30/35 <sup>1)</sup>	120
	Lug mounting		lb.in	N/A	50

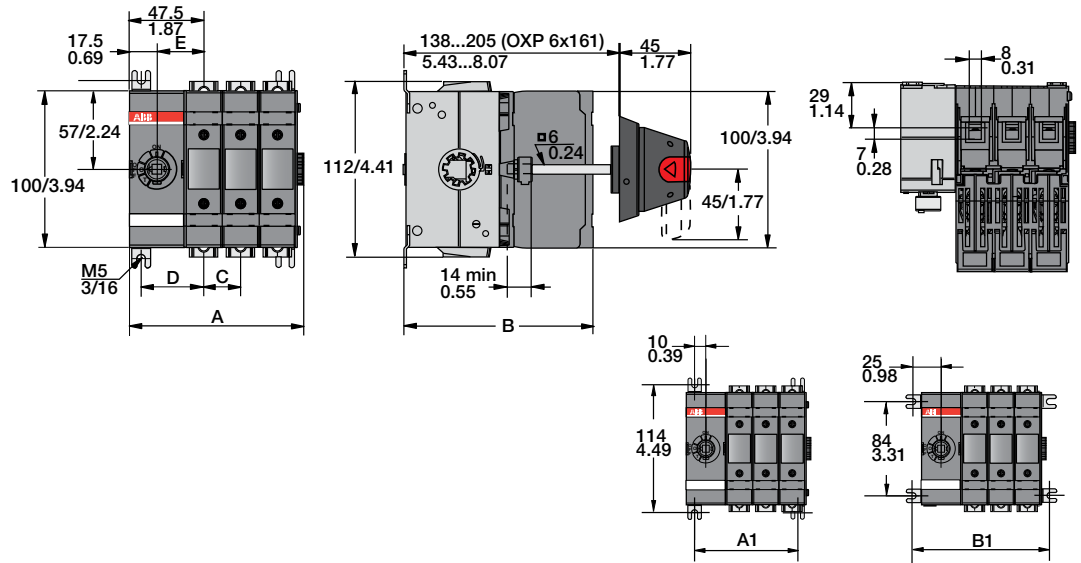
<sup>1)</sup> 30 lb.in with cable size #14-10, 35lb.in with cable size #8-4

# Fusible disconnect switches - OS60 and OS100 Gamma range

## Dimension drawings

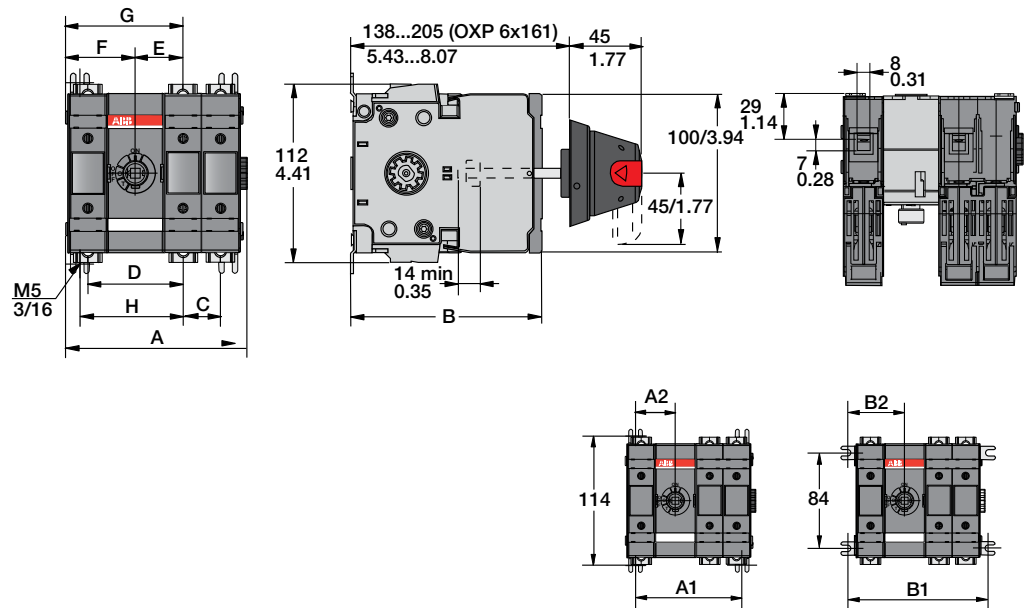
### OS60G\_03-04

	J03 [mm/in]	J04 [mm/in]
A	144.5/5.69	179.5/7.07
B	118/4.65	118/4.65
C	35/1.38	35/1.38
D	45.5/1.79	45.5/1.79
E	36/1.41	36/1.41
A1	121/4.76	156/6.14
B1	151/5.94	186/7.32



### OS60G\_12-22

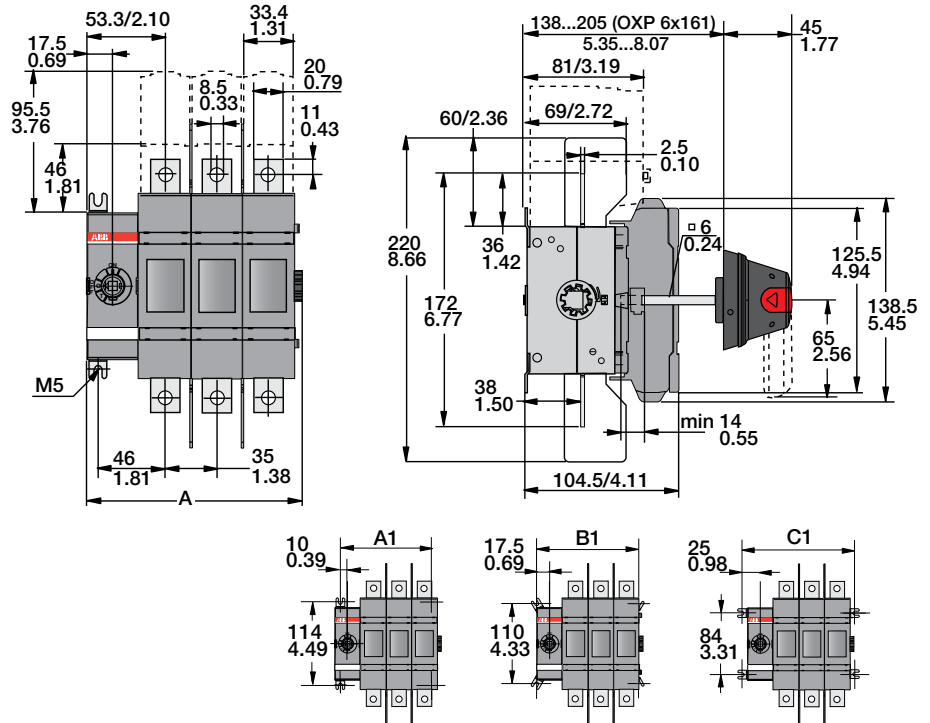
	J12 [mm/in]	J13 [mm/in]	J22 [mm/in]
A	109.5/4.31	144.5/5.69	179.5/7.07
B	118/4.65	118/4.65	118/4.65
C	35/1.38	35/1.38	35/1.38
D	45.5/1.79	45.5/1.79	45.5/1.79
E	36/1.41	36/1.41	36/1.41
A1	86/3.39	121/4.76	156/6.14
B1	116/4.57	151/5.94	186/7.32



# Fusible disconnect switches - OS60 and OS100 Gamma range Dimension drawings

## OS100G\_03-04

	J03 [mm/in]	J04 [mm/in]
A	146.5/5.77	181.5/7.15
A1	125/4.92	160/6.30
B1	140/5.51	175/6.89
C1	155/6.10	190/7.48



## OS100G\_12-22

	J12 [mm/in]	J13 [mm/in]	J22 [mm/in]
A	148/5.83	183/7.20	183/7.20
B	81/3.19	81/3.19	116/4.57
A1	125/4.92	160/6.30	160/3.15
A2	71.5/2.81	45/1.77	80/3.15
B1	45/1.77	175/6.89	175/6.89
B2	52.5/2.07	52.5/2.07	160/3.44
C1	155/6.10	190/7.48	190/7.48
C2	60/2.36	60/2.36	95/3.74

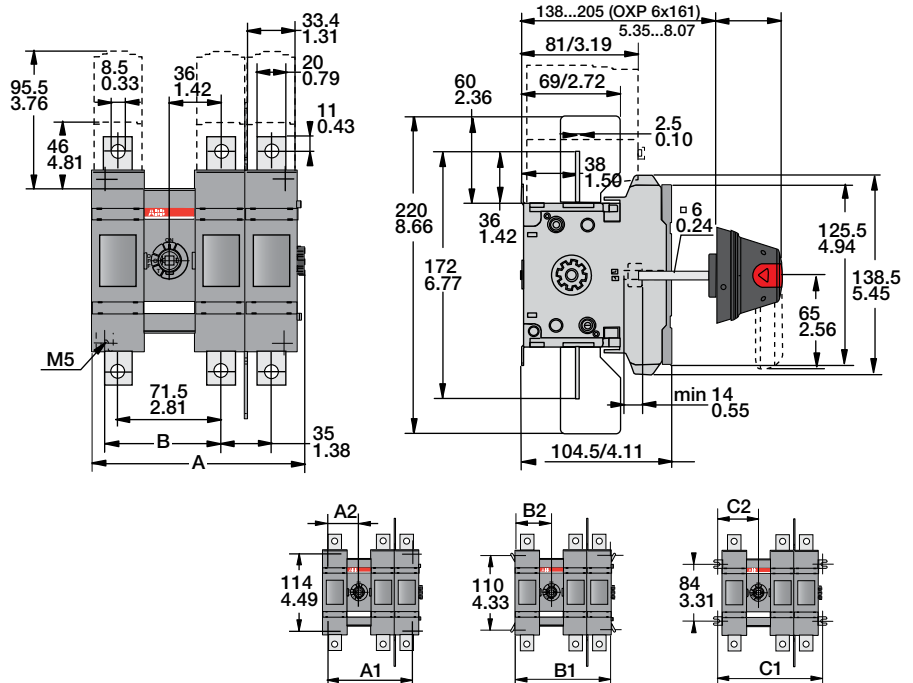


ABB Inc.

Low Voltage Control Products