

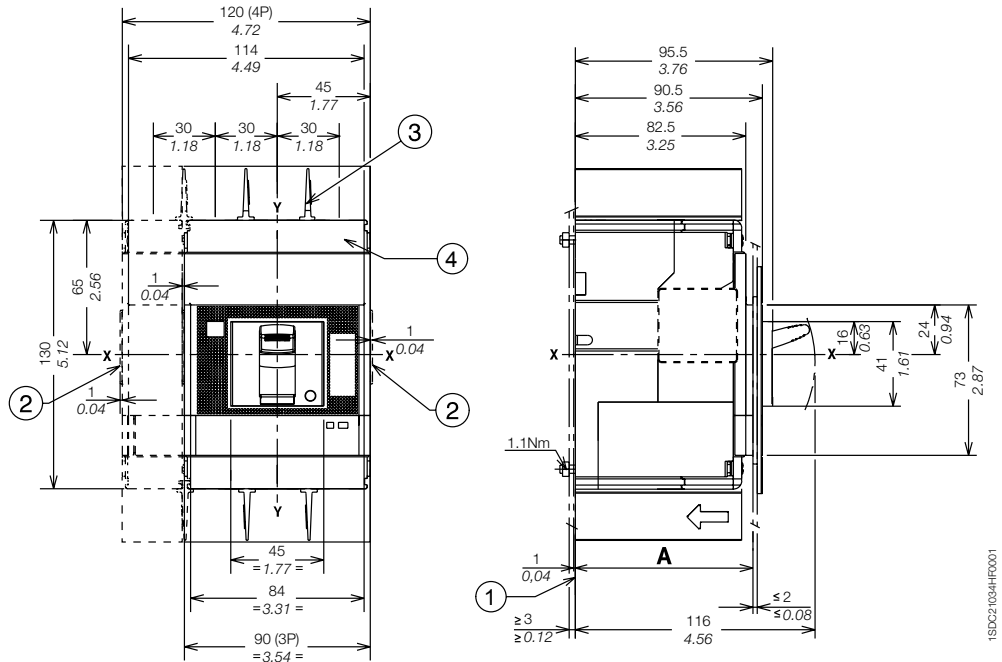
Approximate dimensions

Tmax XT2 - Installation for fixed circuit breaker

Fixed circuit breaker mounting on the backplate

Captions

- ① Insulating plate compulsory
- ② Optional wiring ducts
- ③ 25mm insulating barriers between phases (compulsory) provided
- ④ Front carter compulsory for through door of the panel $\leq 25\text{mm}/0,98''$

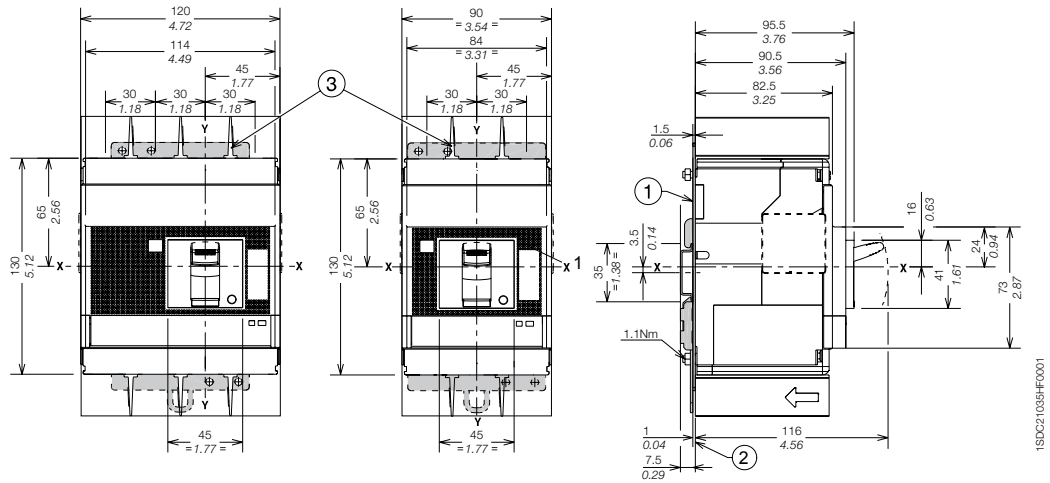


	A
With standard flange III - IV	86
Without flange III - IV	83.5
III - IV	91.5

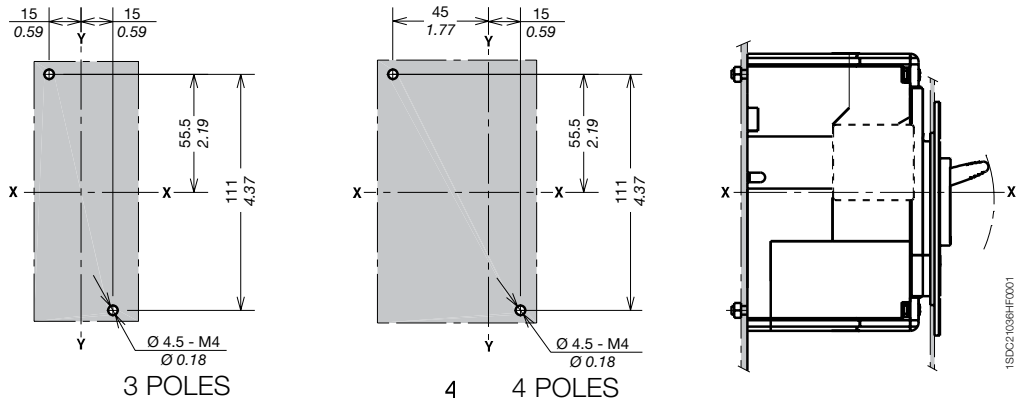
Fixed circuit breaker mounting on DIN EN 50022 rail

Captions

- ① Mounting bracket
- ② Insulating plate compulsory
- ③ 25mm insulating barriers between phases (compulsory) provided



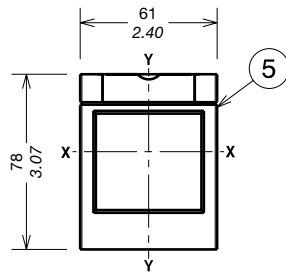
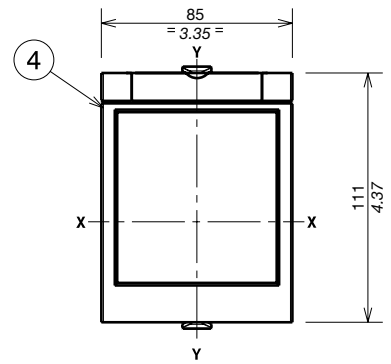
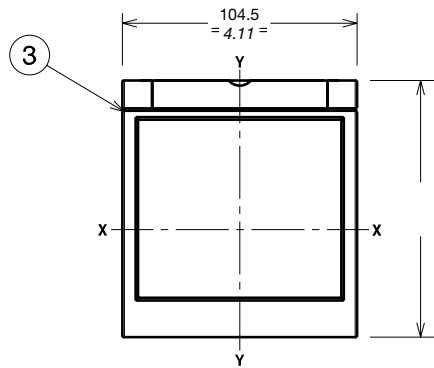
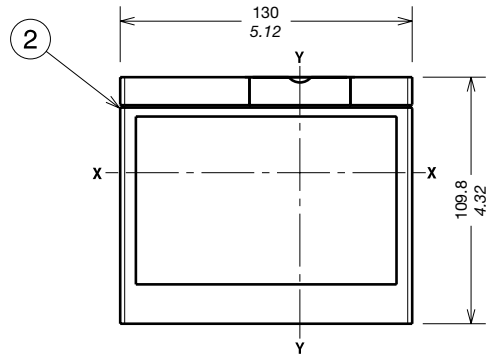
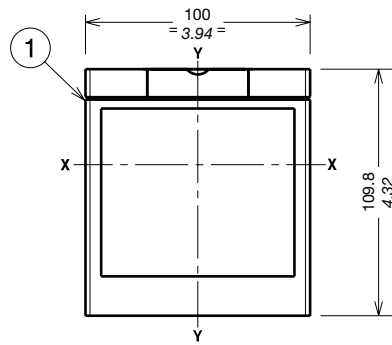
Drilling templates



Flanges

Captions

- ① Flange for fixed circuit breaker III
- ② Flange for fixed circuit breaker IV
- ③ Flange for fixed circuit breaker III-IV with MOE and FLD
- ④ Flange for circuit breaker III-IV with direct rotary handle RHD
- ⑤ Optional flange



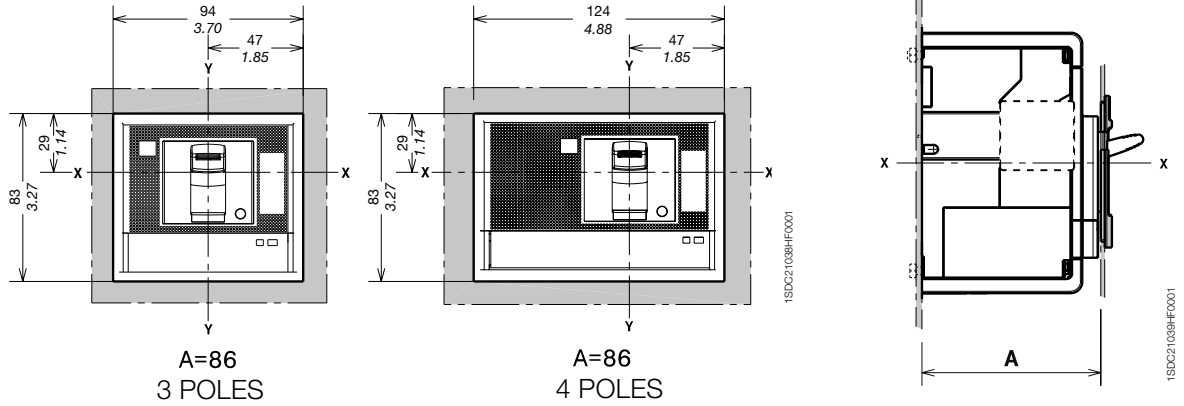
1SDC21037HF0001

Approximate dimensions

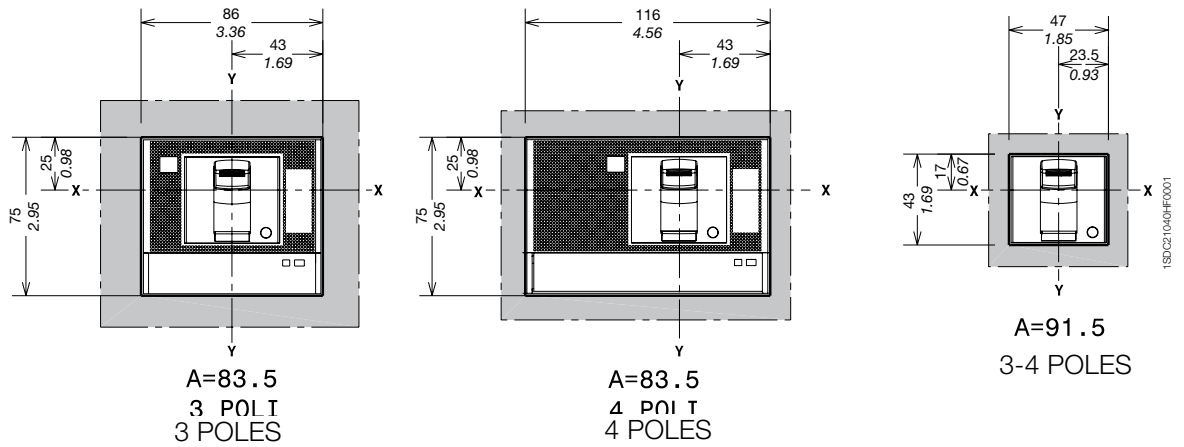
Tmax XT2 - Installation for fixed circuit breaker

Drilling templates for compartment door

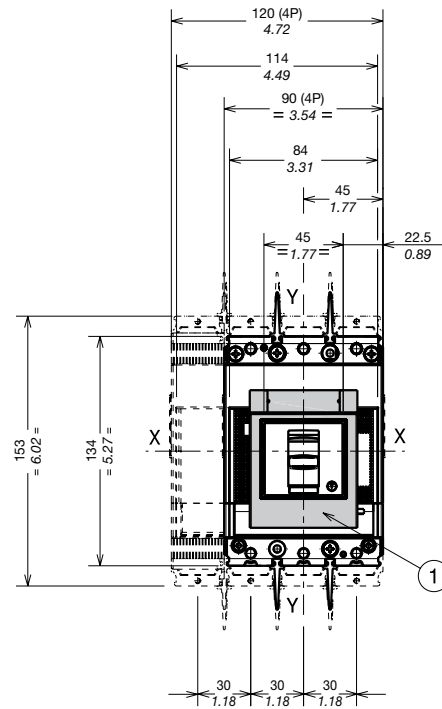
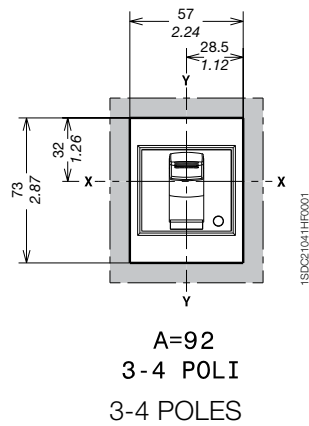
With standard flange



Without flange



With optional flange



Caption

- ① Optional flange

Execution	A	B	C
With optional flange fixed	92		3-4 poles
plug-in, mounting at 50mm	142		3-4 poles
plug-in, mounting at 70mm		162	3-4 poles

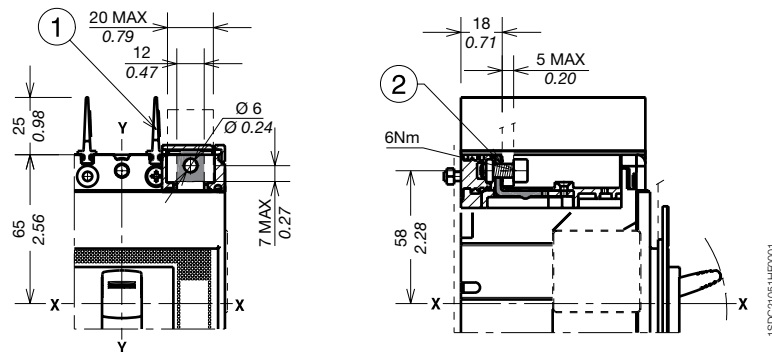
Approximate dimensions

Tmax XT2 - Terminals for fixed circuit breaker

Terminals F

Captions

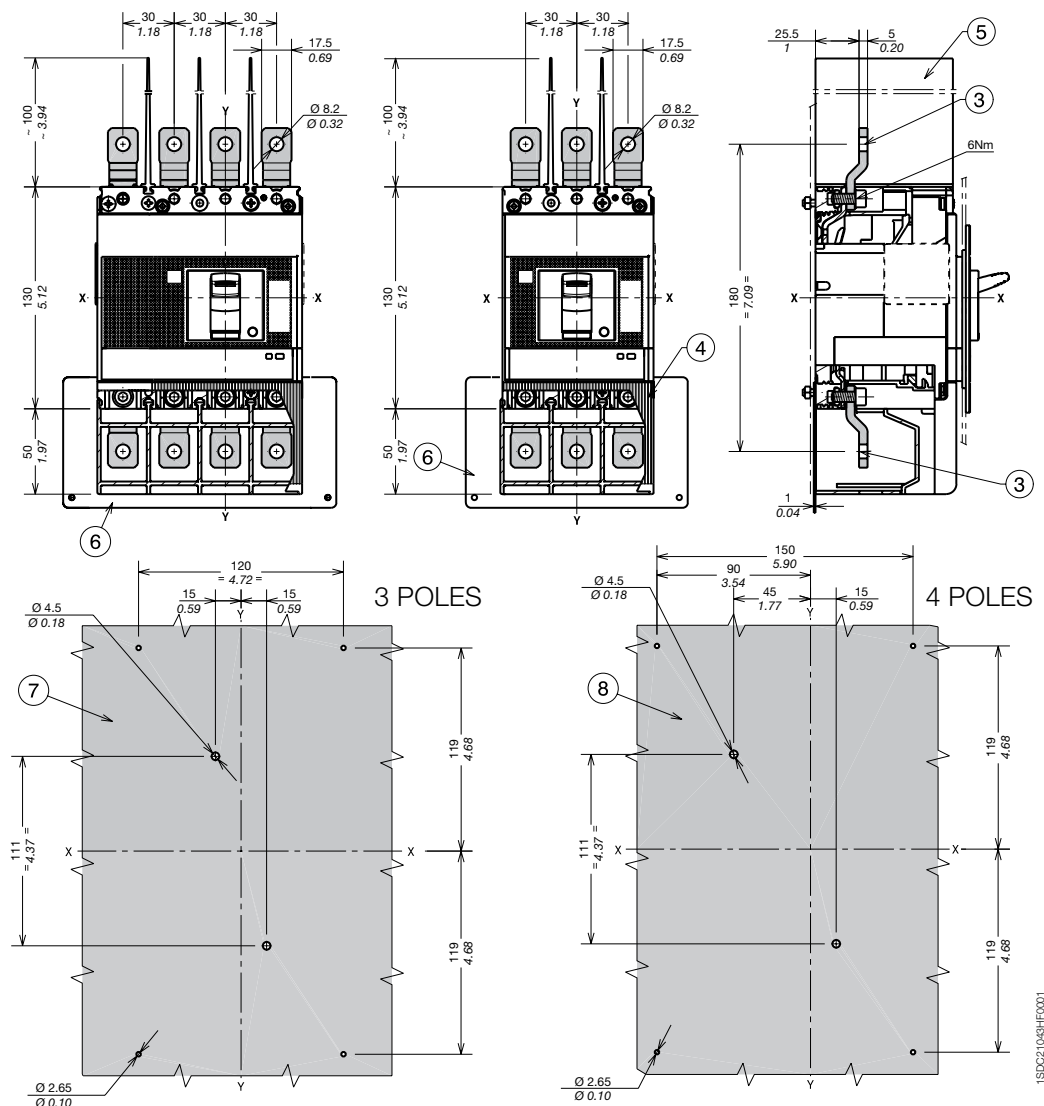
- ① 25mm insulating barriers between phases (compulsory) not provided
- ② Front terminals for busbar connection



Terminals EF

Captions

- ③ Front extended terminals
- ④ Terminal covers with degree of protection IP40 (optional) not provided
- ⑤ 100mm insulating barriers between phases (compulsory) provided
- ⑥ Insulated plate (compulsory) provided for XT2 Ue>440V
- ⑦ Drilling template for 3p circuit breaker Ue>440V (compulsory)
- ⑧ Drilling template for 4p circuit breaker Ue>440V (compulsory)



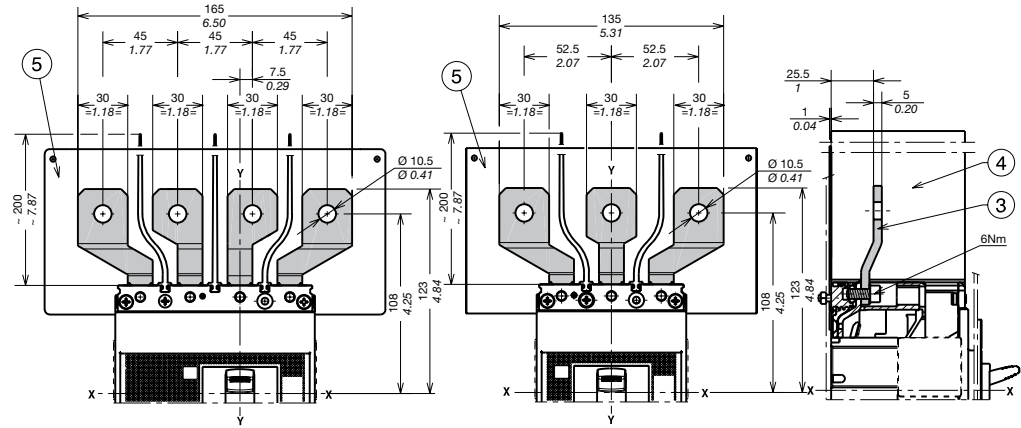
Approximate dimensions

Tmax XT2 - Terminals for fixed circuit breaker

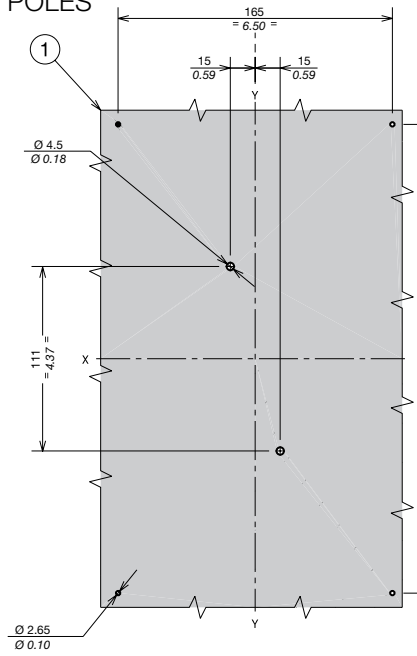
Terminals ES

Captions

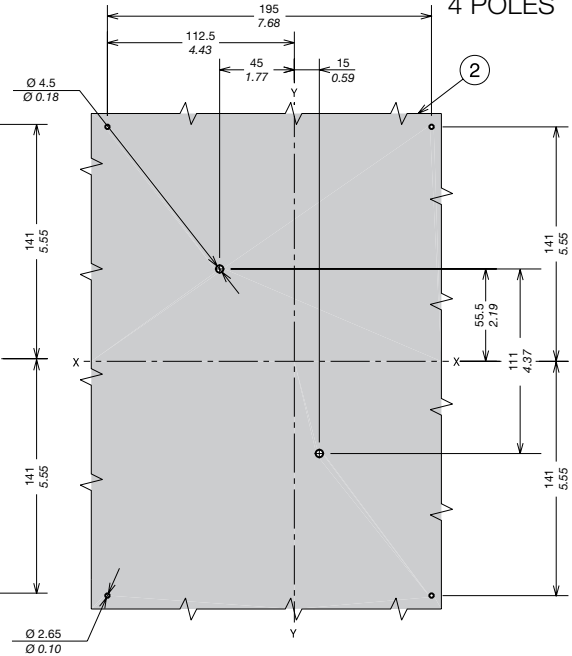
- ① Drilling template for 3p circuit breaker $U_e > 440V$ (compulsory)
- ② Drilling template for 4p circuit breaker $U_e > 440V$ (compulsory)
- ③ Front extended spread terminals
- ④ 200mm insulating barriers between phases (compulsory) provided for $U_e > 440V$
- ⑤ Insulated plate (compulsory) provided for XT2 $U_e > 440V$



3 POLES



4 POLES

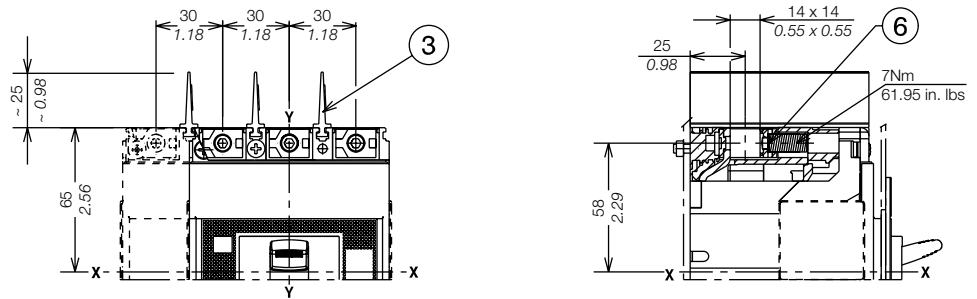


1SD021044HF0001

Terminals FCCu

Captions

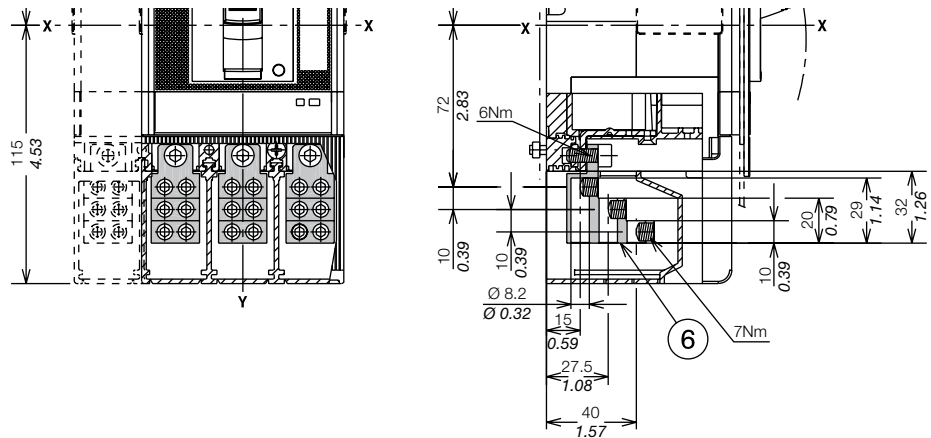
- ③ 25mm insulating barriers between phases (compulsory) provided as standard with the circuit breaker
- ⑥ Terminals FCCu



Terminals MC

Caption

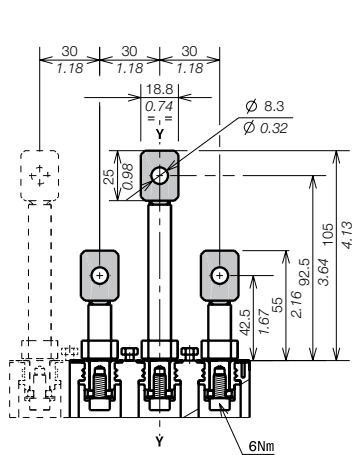
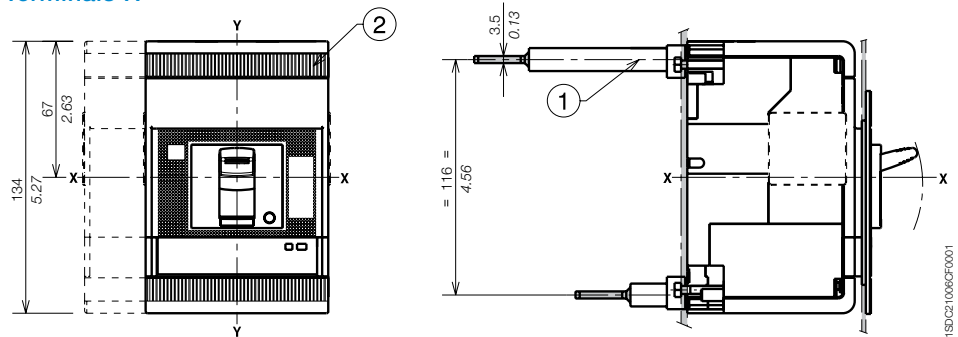
- ⑥ Multi-cable terminals



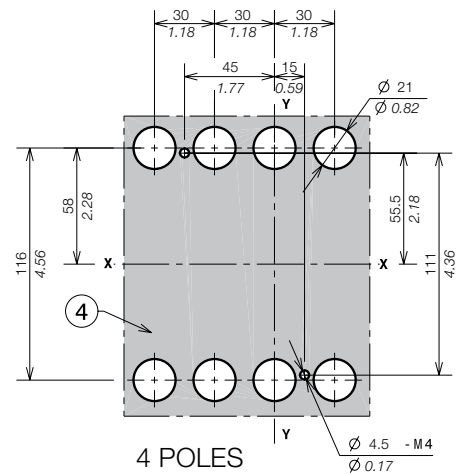
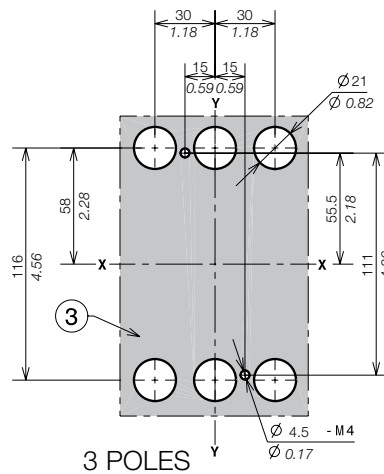
Terminals R

Captions

- ① Rear adjustable terminals
- ② Bottom terminal covers with degree of protection IP30 (optional) provided
- ③ Drilling template for mounting circuit breaker III sheet
- ④ Drilling template for mounting circuit breaker IV sheet



1SD21002CF0001

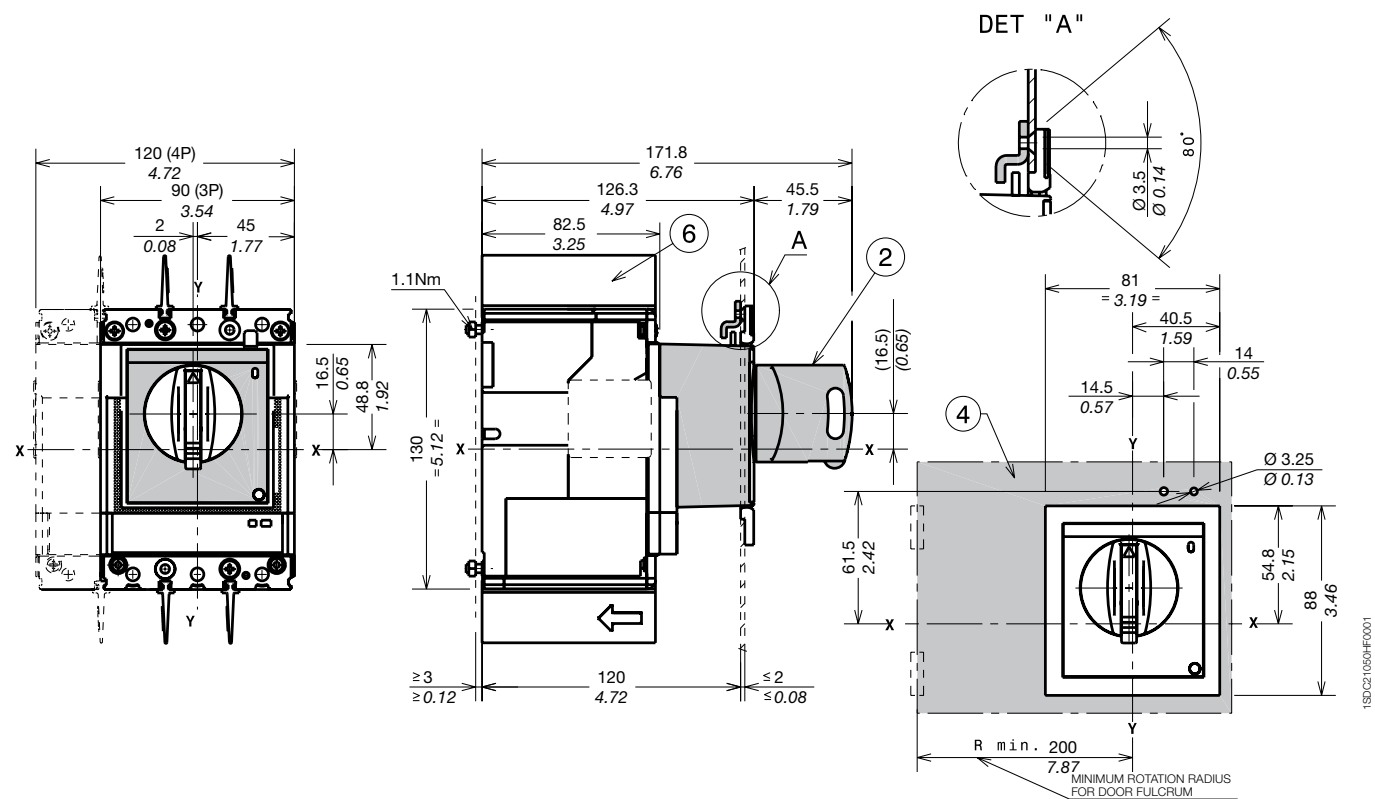


1SD21007CF0001

Approximate dimensions

Tmax XT2 - Accessories for fixed circuit breaker

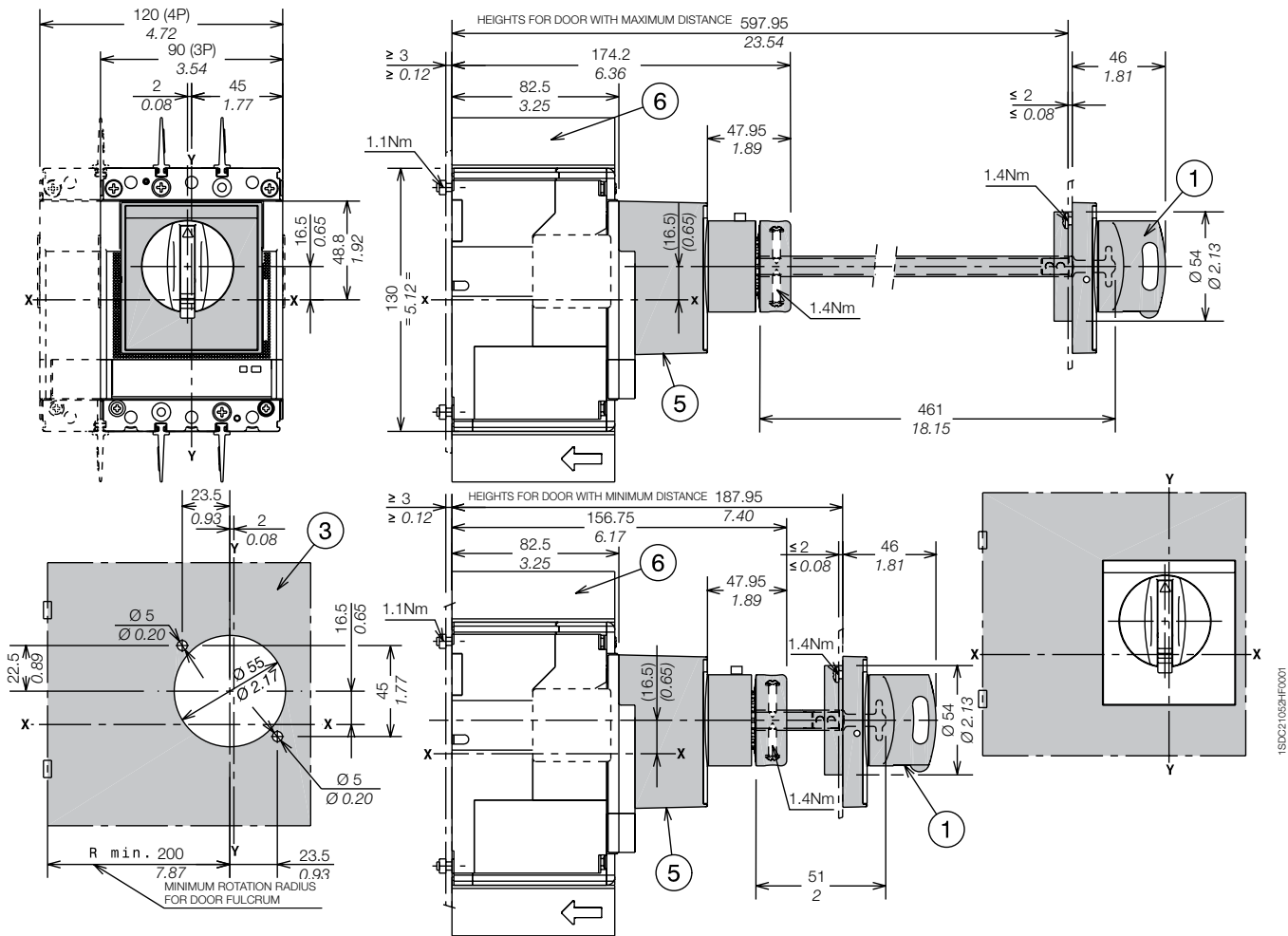
Rotary handle operating mechanism on circuit breaker (RHD)



Captions

- ② Rotary handle operating mechanism on circuit breaker
- ④ Drilling template of door with direct rotary handle
- ⑥ 25mm insulating barriers between phases provided with circuit breaker

Rotary handle operating mechanism on the compartment door (RHE)



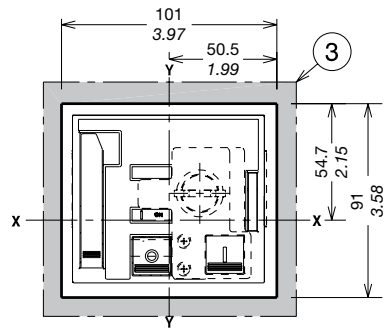
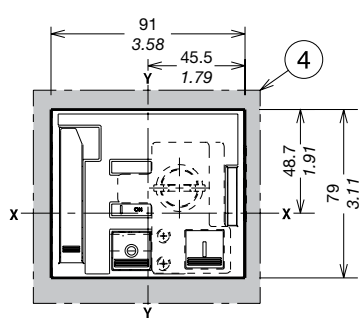
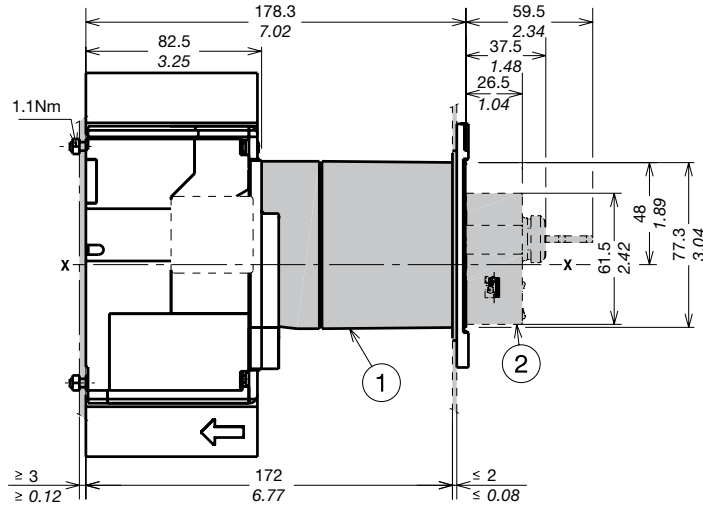
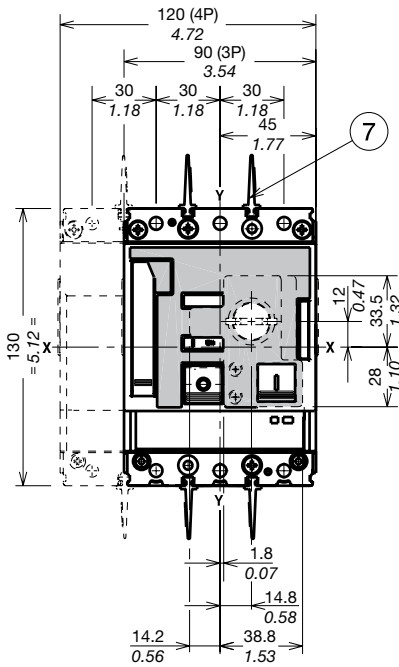
Captions

- ① Extended rotary handle operating mechanism
- ③ Door drilling template with extended rotary handle
- ⑤ Transmission unit
- ⑥ 25mm insulating barriers between phases provided with circuit breaker

Approximate dimensions

Tmax XT2 - Accessories for fixed circuit breaker

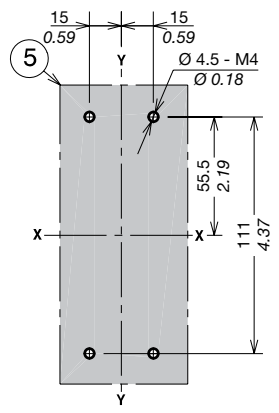
Stored energy motor operator (MOE)



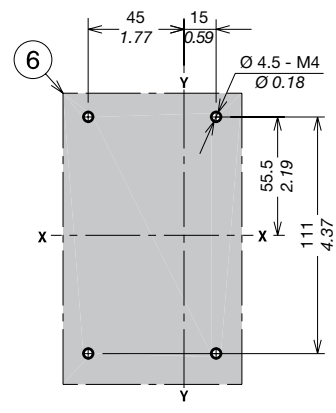
Captions

- ① Stored energy motor operator (MOE)
- ② Key lock (not provided)
- ③ Drilling template of door with MOE with flange
- ④ Door drilling template with MOE without flange
- ⑤ Drilling template for mounting 3p circuit breaker on the backplate
- ⑥ Drilling template for mounting 4p circuit breaker on the backplate
- ⑦ 25mm insulating barriers between phases provided with circuit breaker

3 POLES

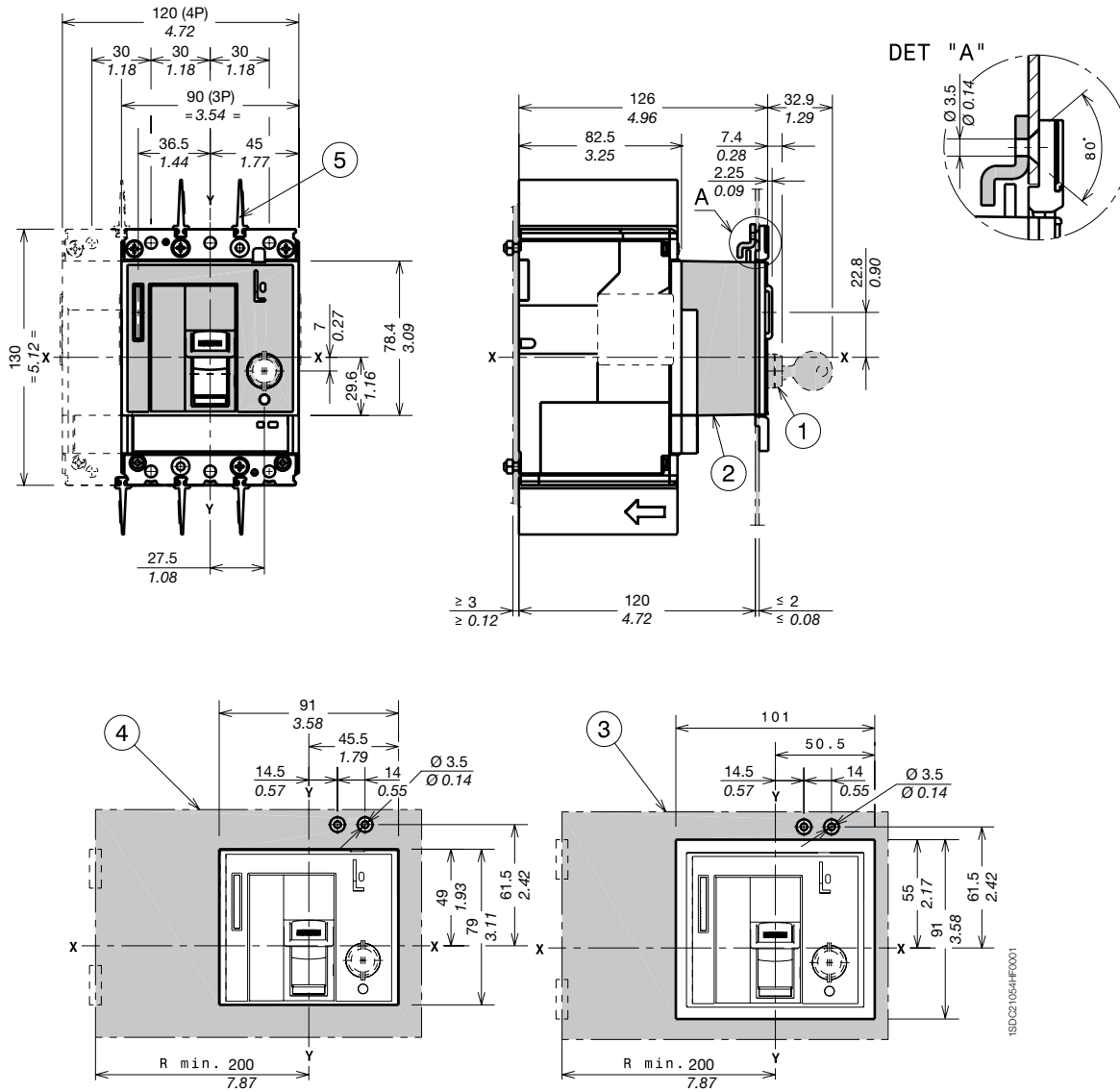


4 POLES



ISDC21035NF0001

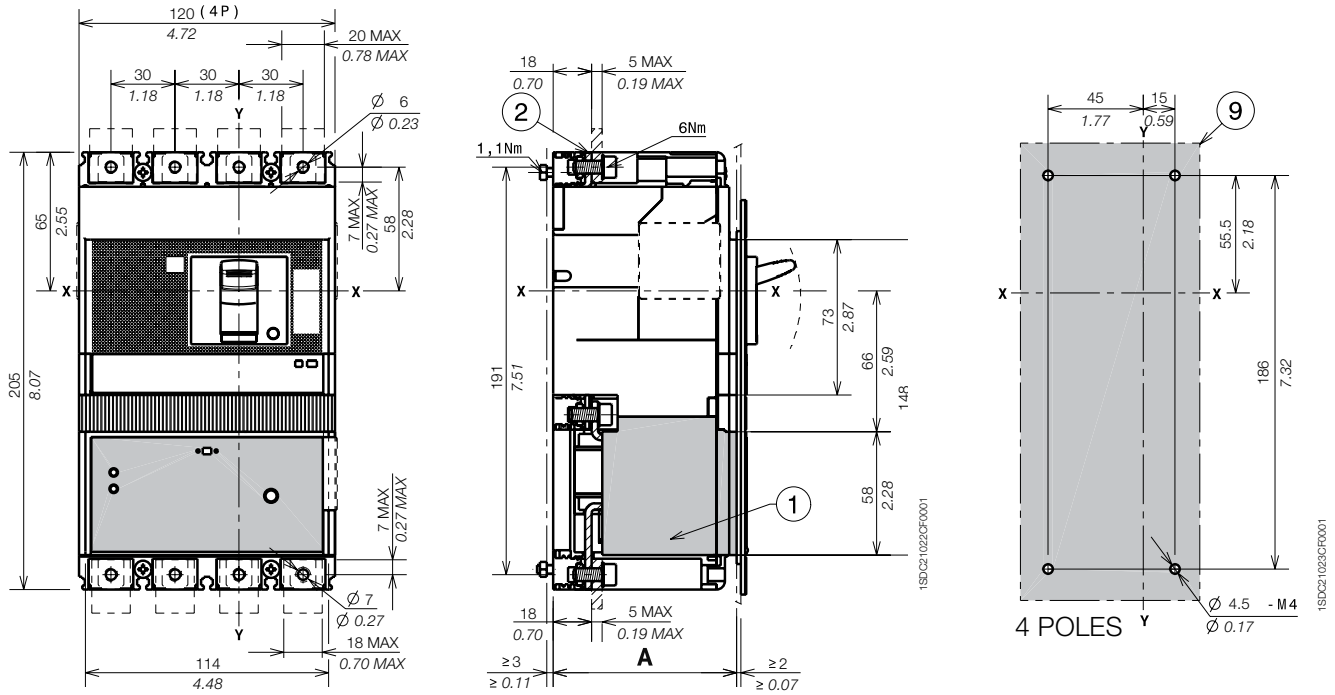
Front for lever operating mechanism (FLD)



Captions

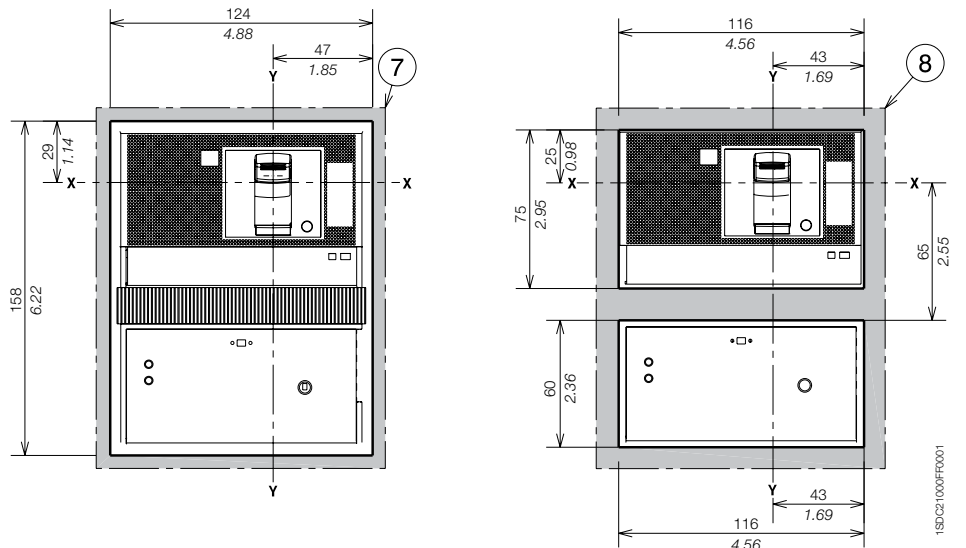
- ① Key lock optional
- ② Front for lever operating mechanism (FLD)
- ③ Drilling template of door with FLD with flange
- ④ Drilling template of door with FLD without flange
- ⑤ 25mm insulating barriers between phases provided with circuit breaker

Residual current RC Sel



Captions

- ① Residual current
- ② Front terminals
- ⑦ Drilling template of door with direct rotary handle and mounting with flange
- ⑧ Drilling template of door with direct rotary handle and mounting without flange
- ⑨ Drilling template for mounting circuit breaker on sheet



		A
With standard flange	IV	86
Without flange	IV	83.5

Approximate dimensions

Tmax XT2 - Installation for plug-in circuit breaker

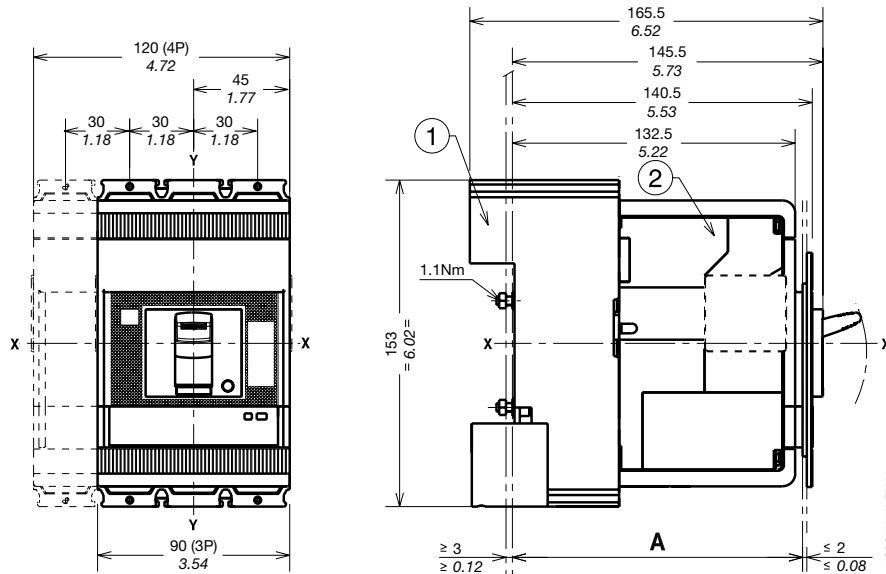
Plug-in circuit breaker mounting on sheet

Captions

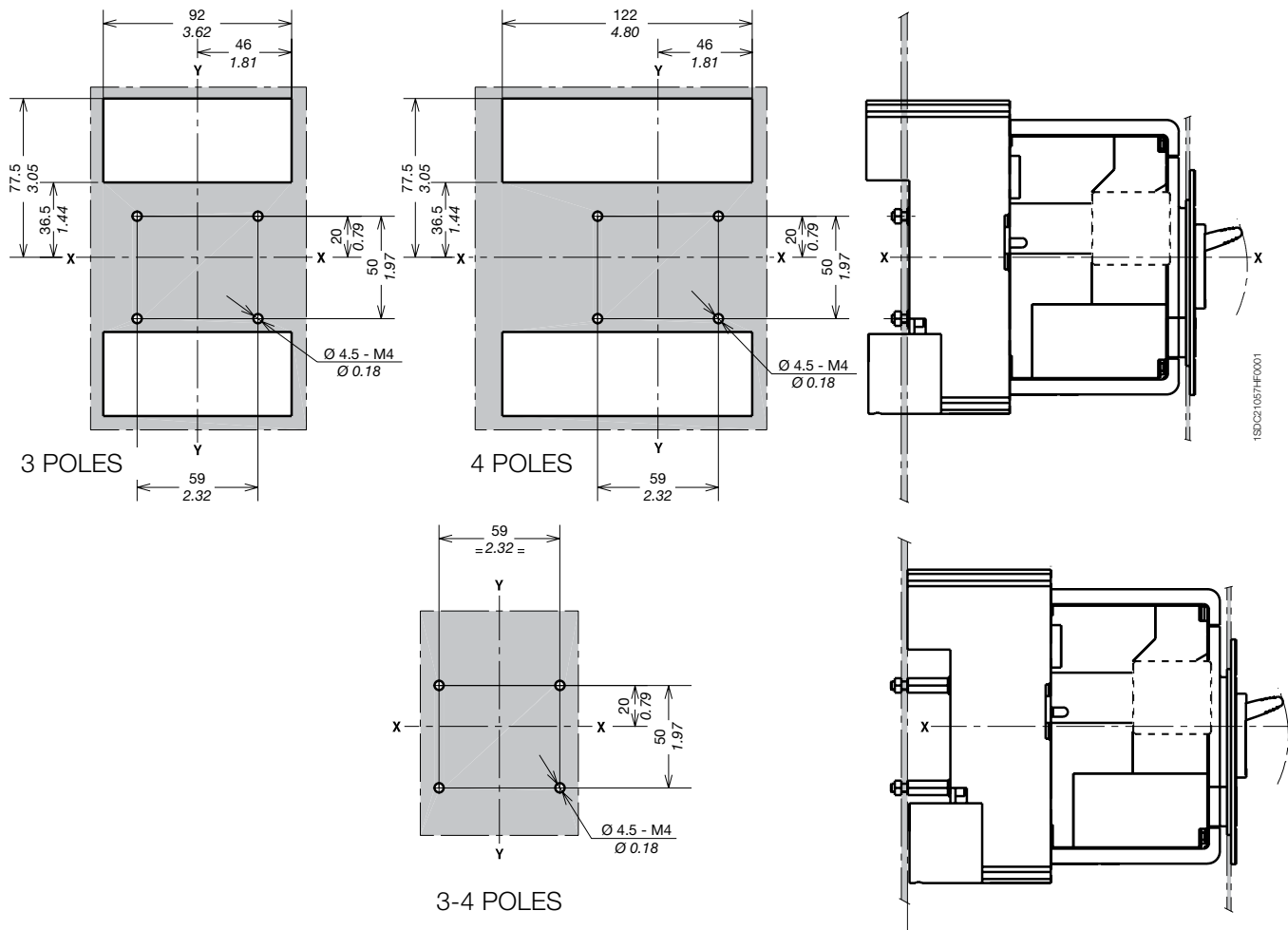
- ① Fixed part
- ② Moving part

Mounting at 50mm		A
With standard flange	III - IV	136
Without flange	III - IV	133.5
	III - IV	141.5

Mounting at 70mm for extended front terminals		A
With standard flange	III - IV	156
Without flange	III - IV	153.5
	III - IV	161.5



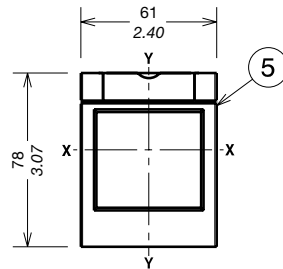
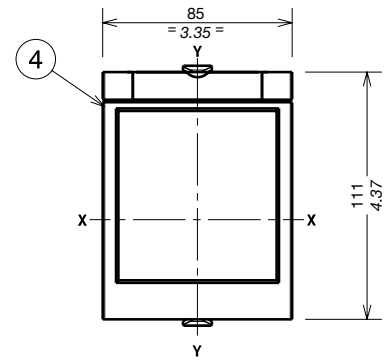
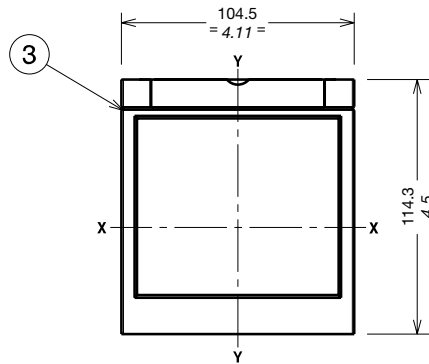
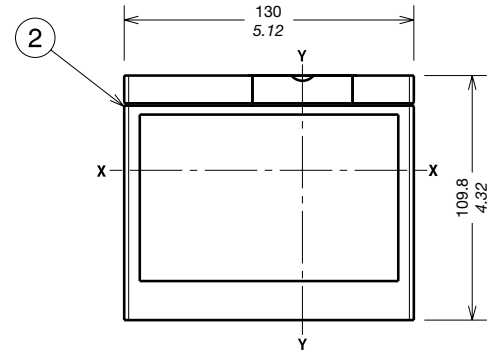
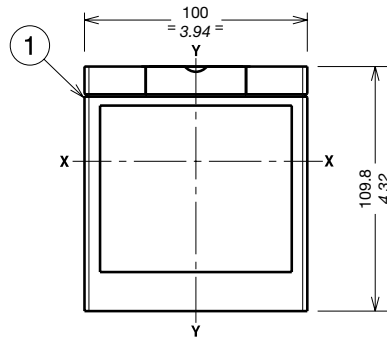
Drilling templates for the backplate



Flanges

Captions

- ① Flange for withdrawable circuit breaker III
- ② Flange for circuit breaker IV
- ③ Flange for plug-in circuit breaker III-IV with MOE and FLD
- ④ Flange for circuit breaker III-IV with direct rotary handle (RHD)
- ⑤ Optional flange



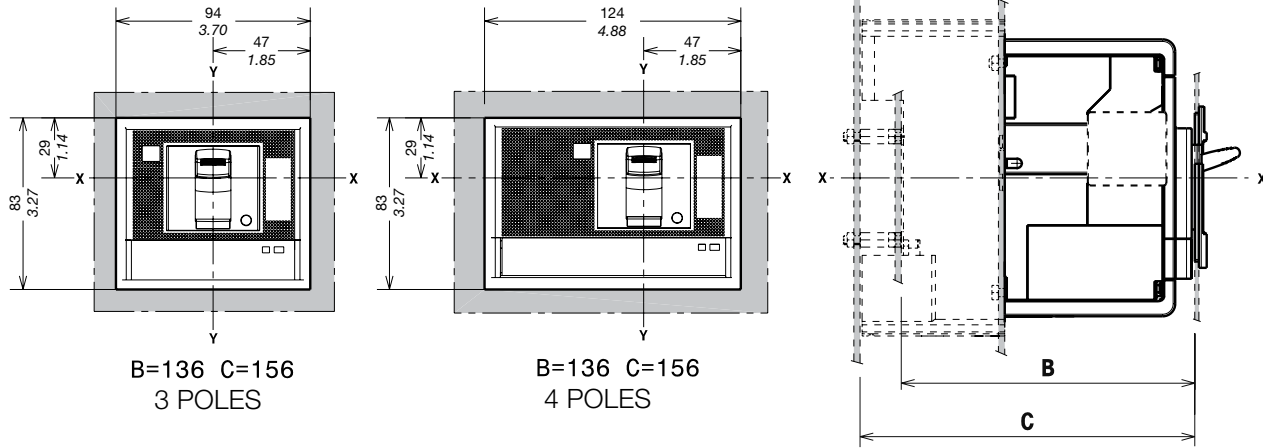
1SDC21059HF0001

Approximate dimensions

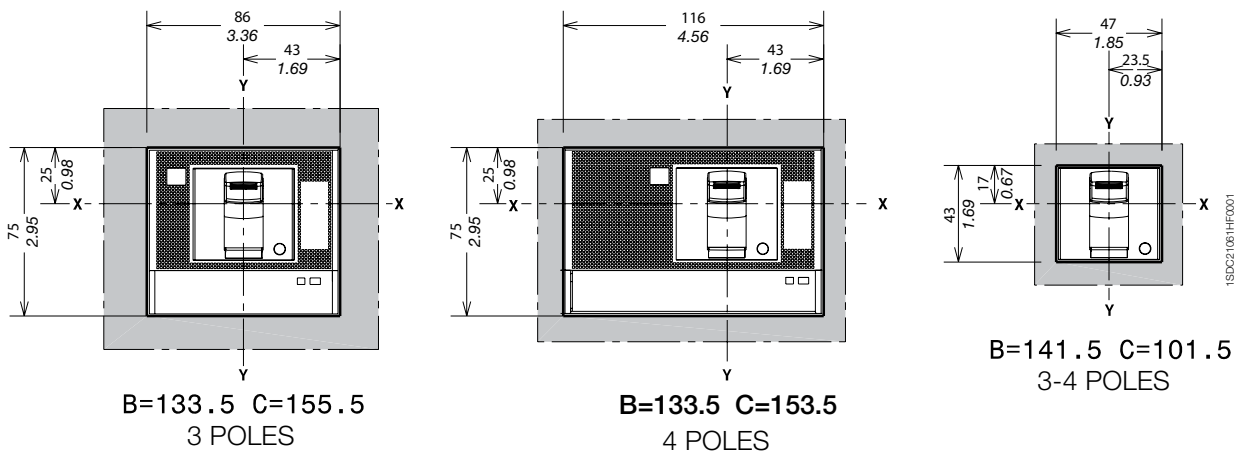
Tmax XT2 - Terminals for plug-in circuit breaker

Drilling templates for compartment door

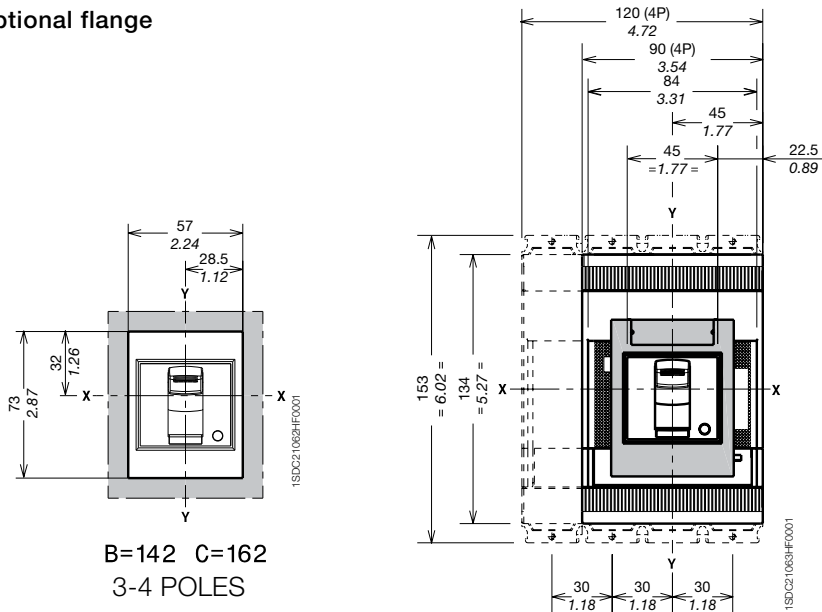
With standard flange



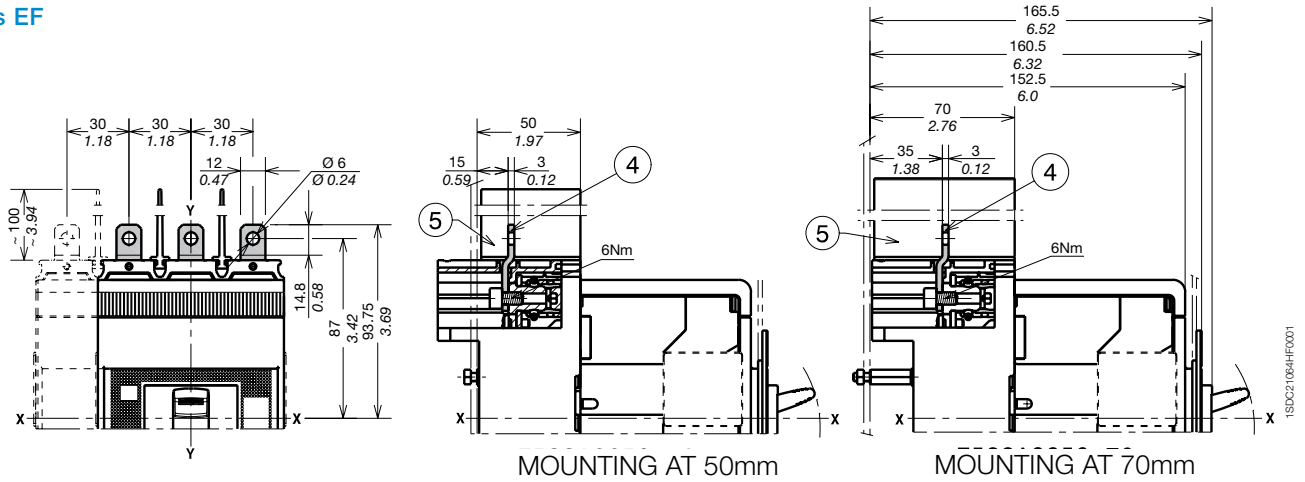
Without flange



With optional flange



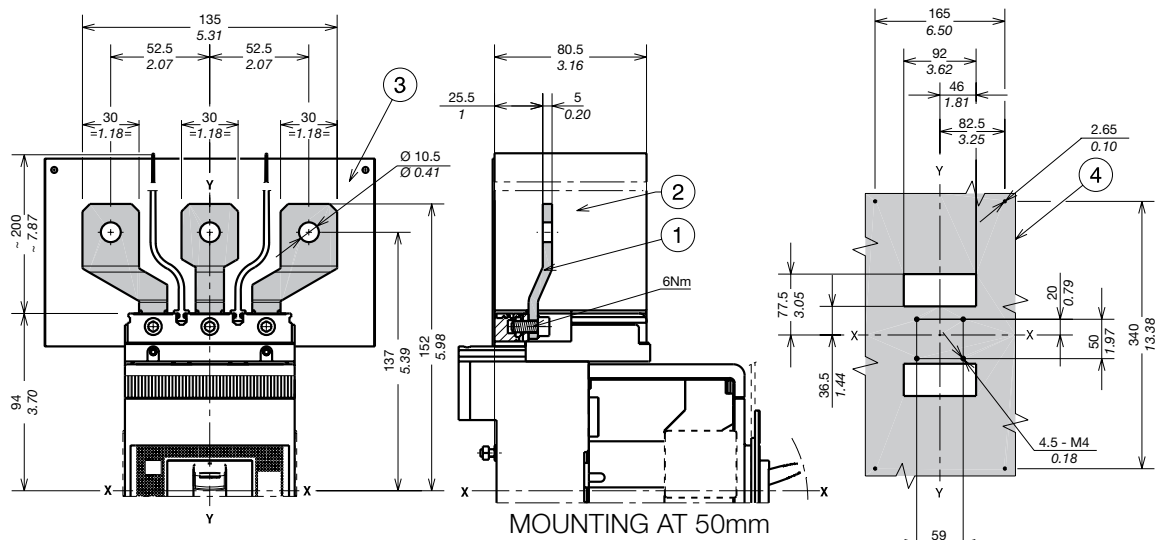
Terminals EF



Captions

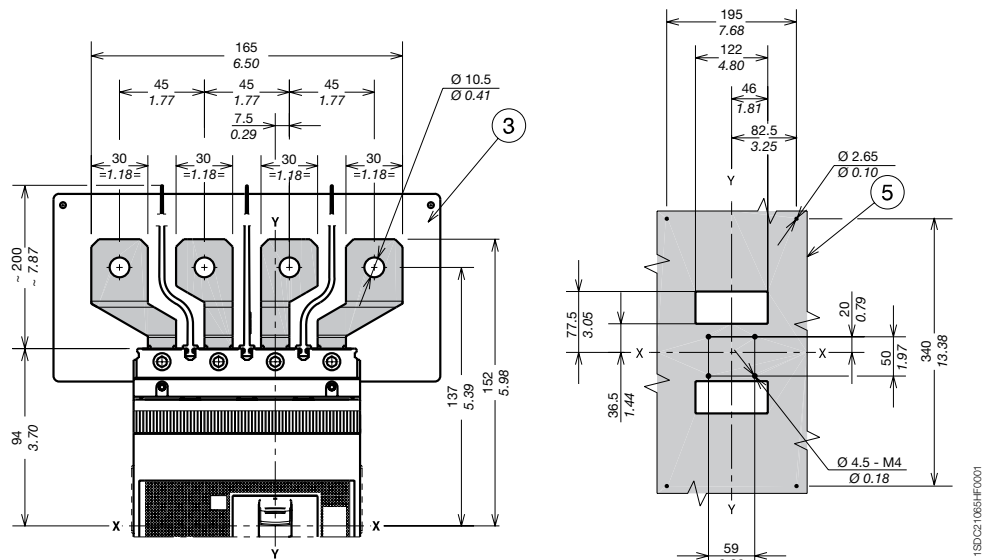
- ④ Front extended terminals
- ⑤ 100mm insulating barriers between phases (compulsory) provided

Terminals ES



Captions

- ① Front extended spread terminals
- ② 200mm insulating barriers between phases (compulsory) provided
- ③ Insulated plate (compulsory) provided
- ④ Drilling template for 3p circuit breaker $U_e > 440V$ (compulsory)
- ⑤ Drilling template for 4p circuit breaker $U_e > 440V$ (compulsory)



Approximate dimensions

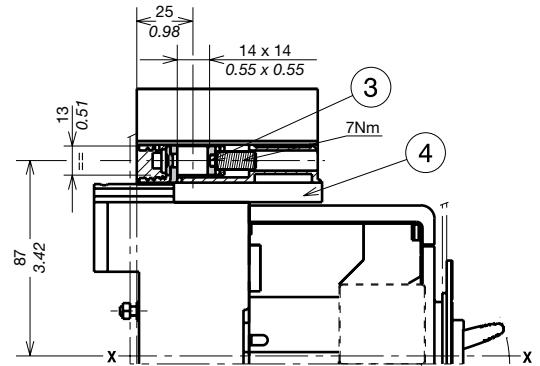
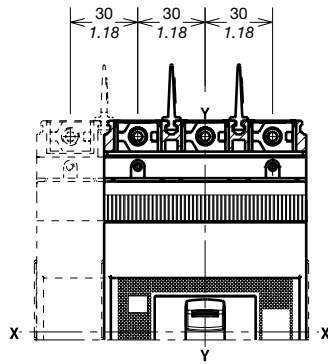
Tmax XT2 - Terminals for plug-in circuit breaker

Terminals FCCu

Captions

- ③ Terminals FCCu
- ④ Adapter (compulsory) not provided

Note: 25mm insulating barriers between phases (compulsory) provided as standard with the circuit breaker



MOUNTING AT 50mm

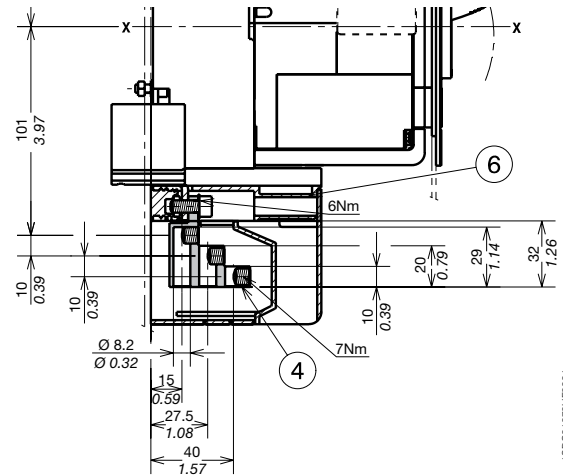
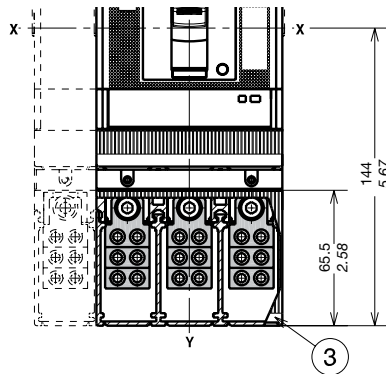
1SDC21069HF0001

5

Terminals MC

Captions

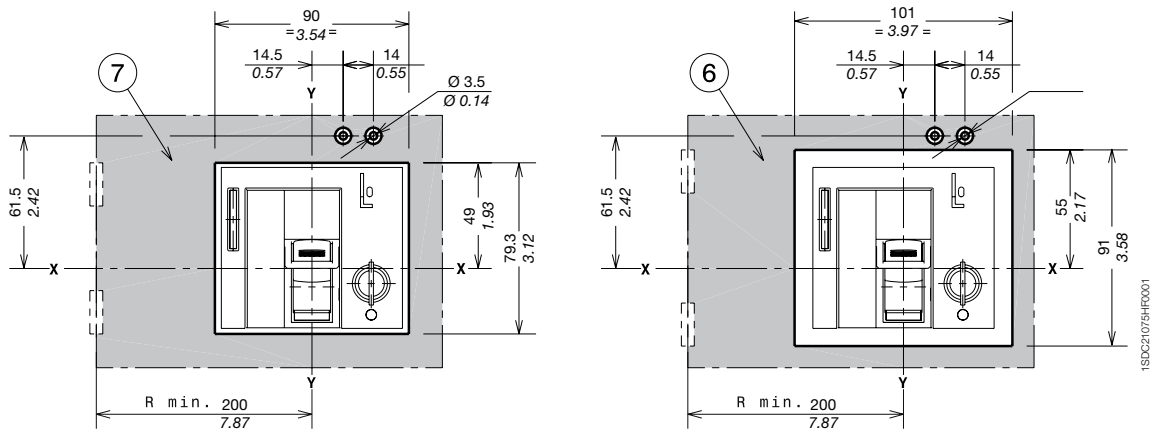
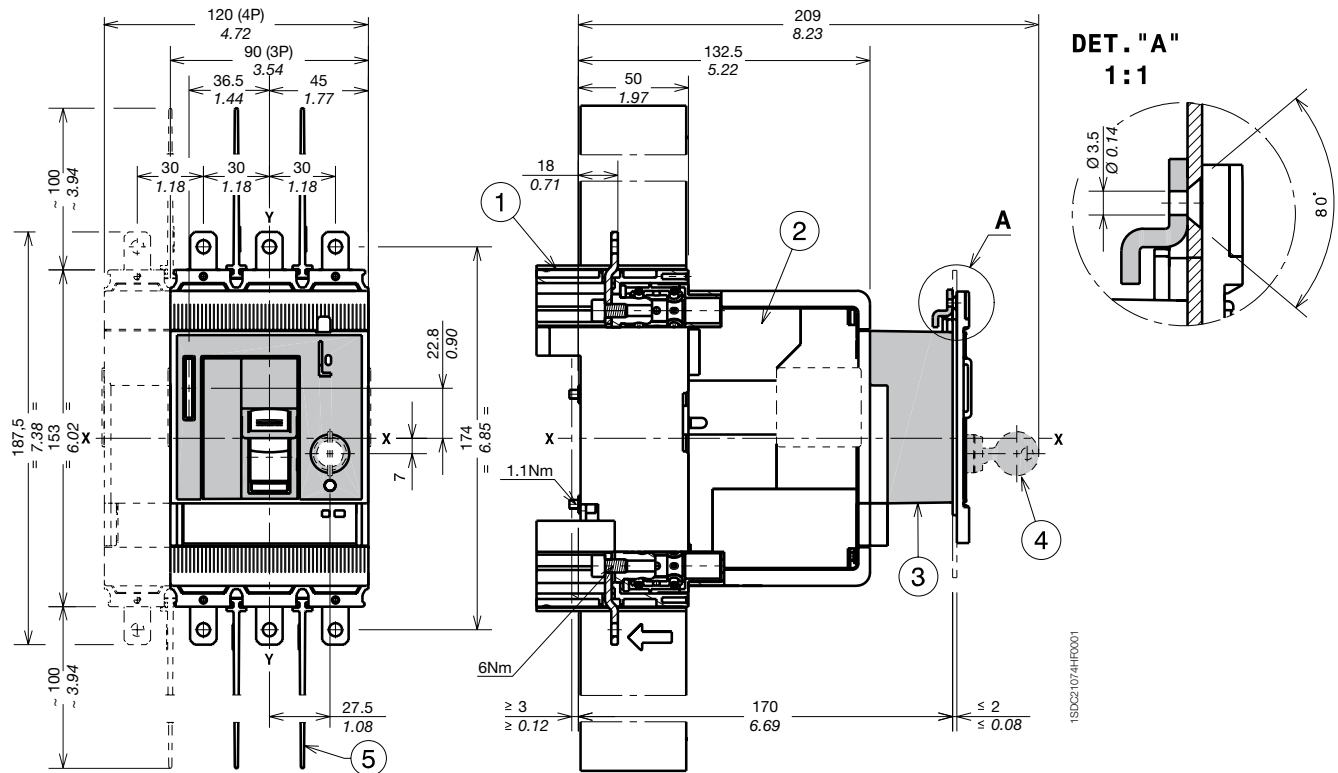
- ③ High terminal covers with degree of protection IP40 (optional) provided
- ④ Multi-cable terminals
- ⑥ Adapter (compulsory) not provided



MOUNTING AT 50mm

1SDC21070HF0001

Front for lever operating mechanism (FLD)



Captions

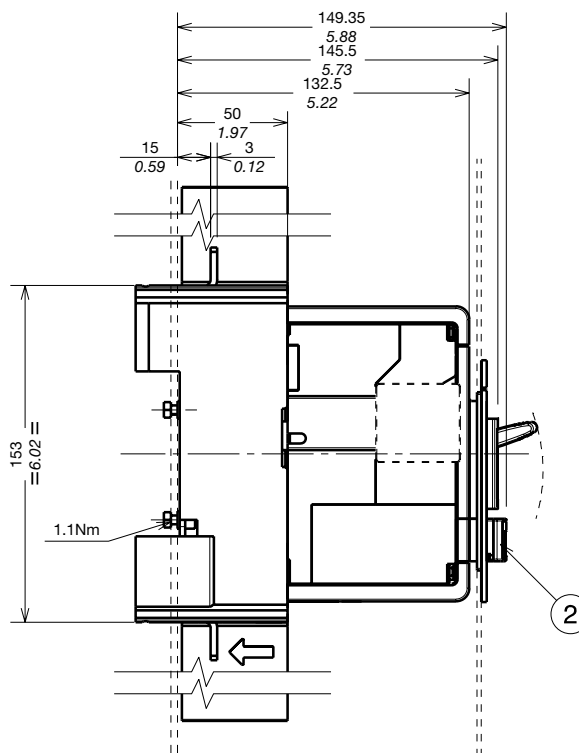
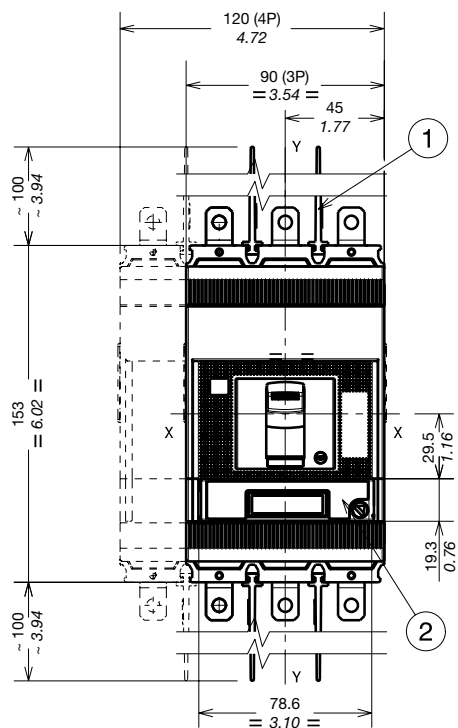
- ① Fixed part
- ② Moving part
- ③ Front for lever operating mechanism (FLD)
- ④ Key lock (not provided)
- ⑤ 100mm insulating barriers between phases (compulsory) provided
- ⑥ Drilling template of door with direct rotary handle with flange
- ⑦ Drilling template of door with direct rotary handle without flange

Approximate dimensions

Tmax XT2 - Accessories for plug-in circuit breaker

Ekip Display or Ekip LED Meter

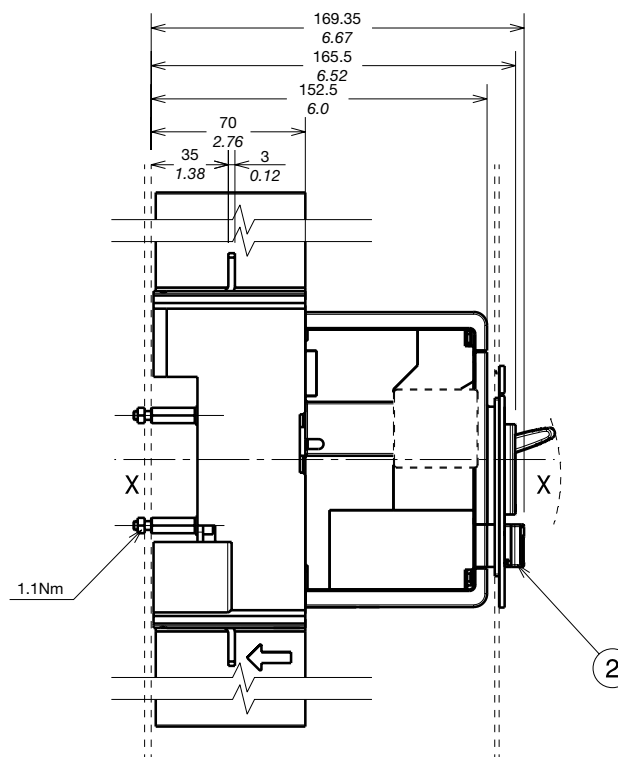
5



MOUNTING AT 50mm

Captions

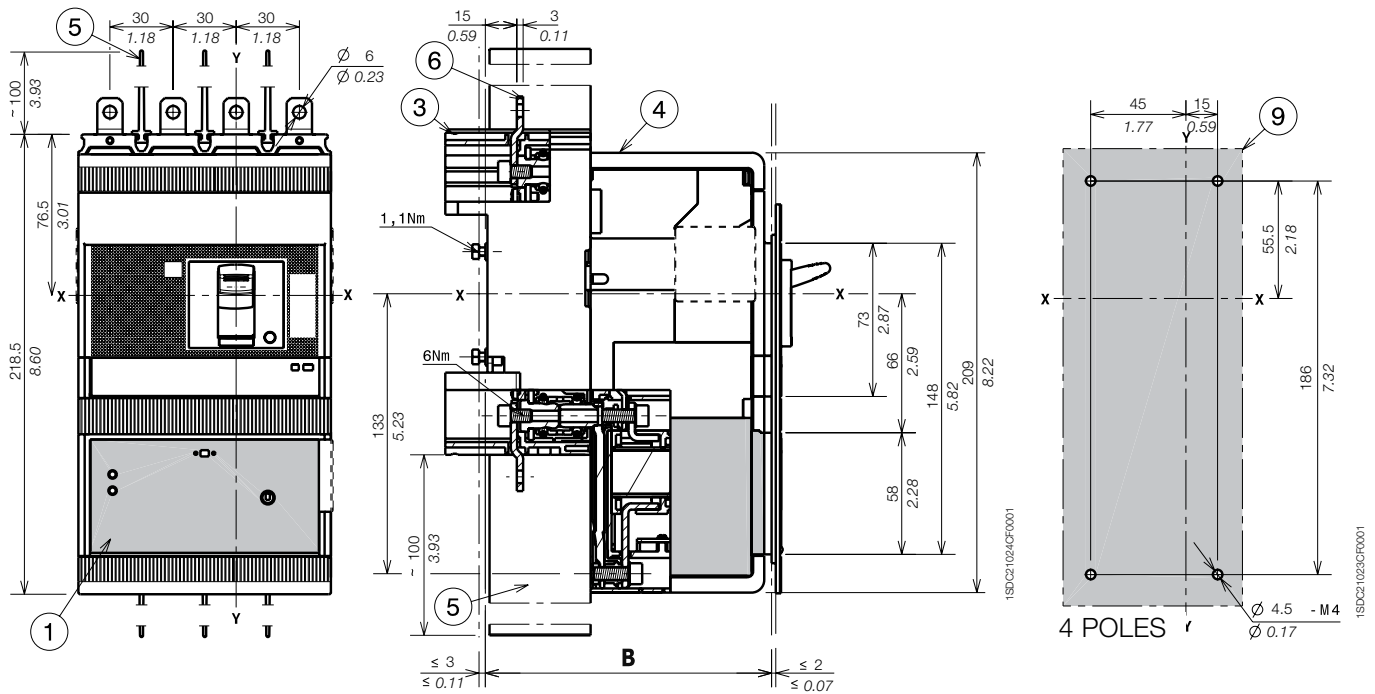
- ① 100mm insulating barriers between phases
- ② Ekip Display or Ekip LED Meter



MOUNTING AT 50mm

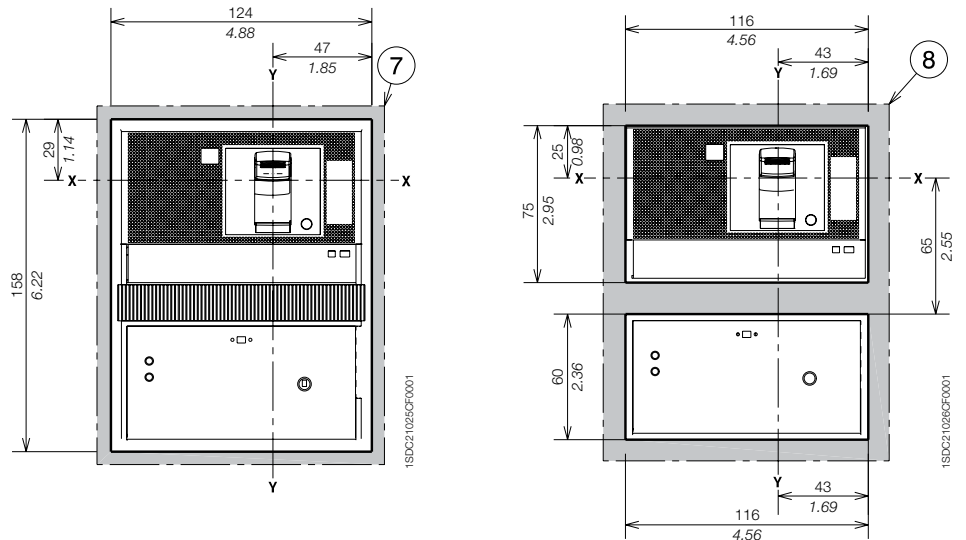
1SD2C2107BF0001

Residual current RC Sel



Captions

- ① Residual current
- ③ Fixed part
- ④ Moving part
- ⑤ 100mm insulating barriers between phases (compulsory) provided
- ⑥ Extended terminals
- ⑦ Drilling template of door with direct rotary handle and mounting with flange
- ⑧ Drilling template of door with direct rotary handle and mounting without flange
- ⑨ Drilling template for mounting circuit breaker on sheet



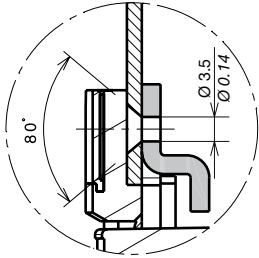
A		
With standard flange	IV	136
Without flange	IV	133,5

Approximate dimensions

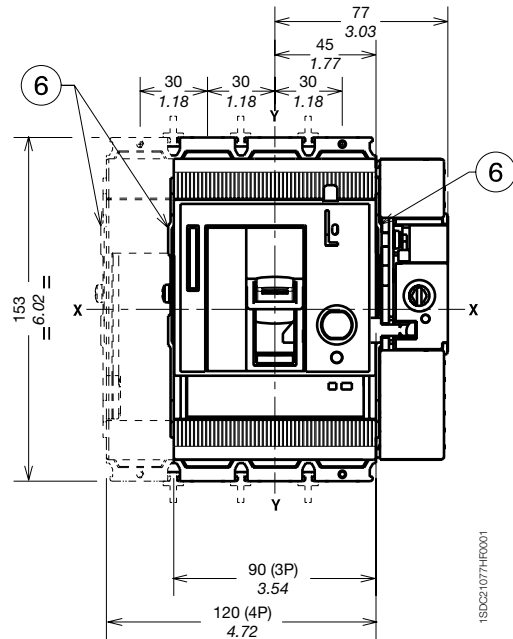
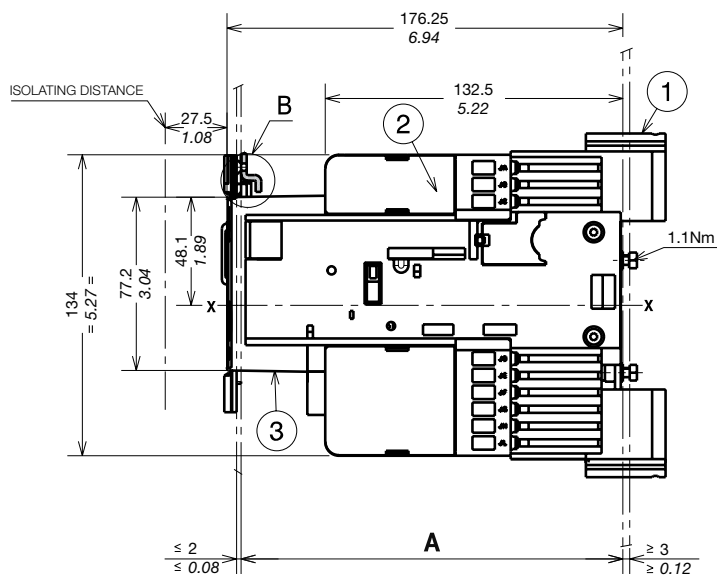
Tmax XT2 - Installation for withdrawable circuit breaker

Fixing on the backplate

DET. "B"
1:1



5



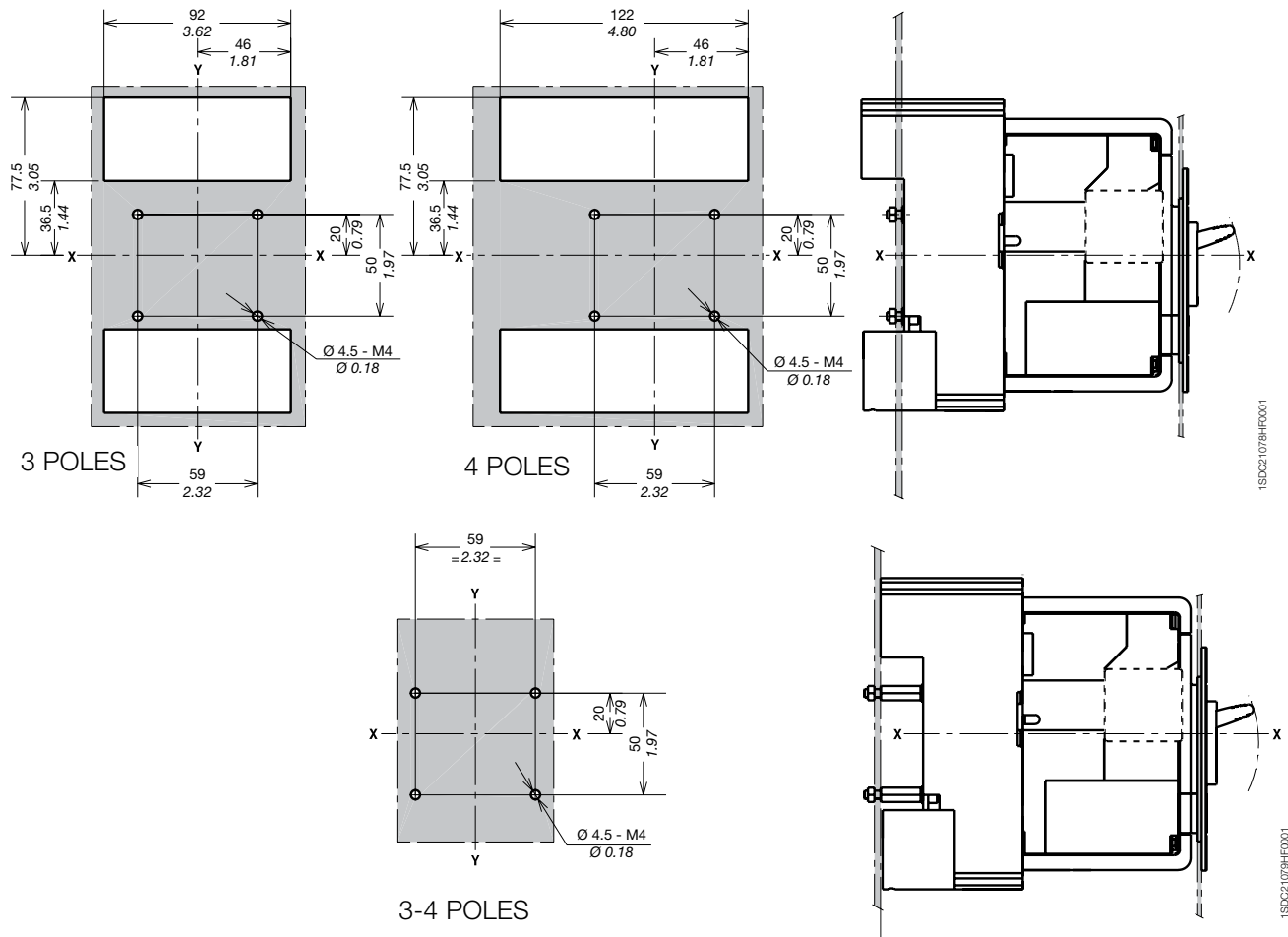
1SIDC31077HX001

Captions

- ① Fixed part
- ② Moving part
- ③ FLD (FLD or RHD or RHE or MOE) compulsory for withdrawable version
- ⑥ Optional wiring ducts

			A
With standard flange	III - IV	Mounting at 50mm	170
	III - IV	Mounting at 70mm for extended front terminals	190

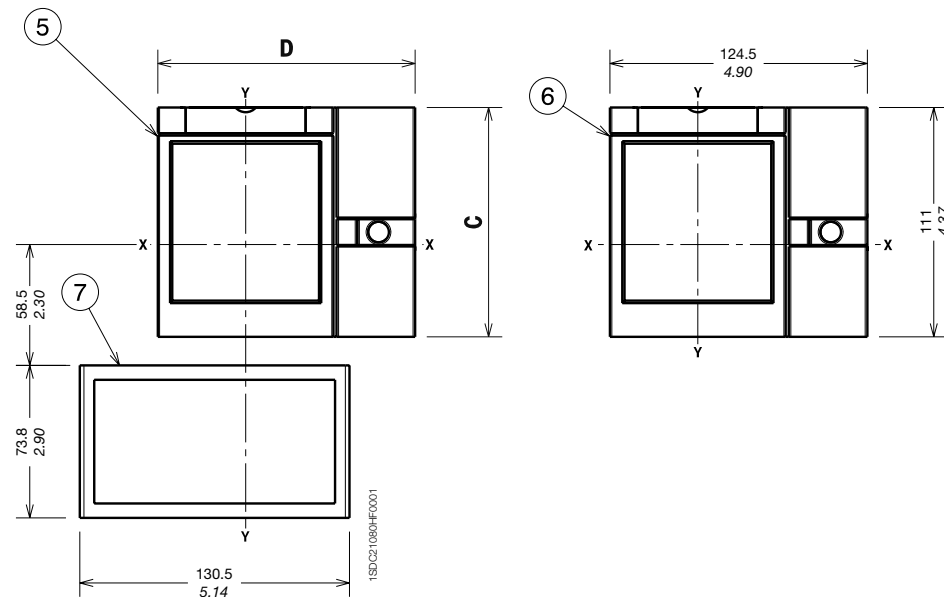
Drilling templates for the backplate



Flanges

Captions

- ⑤ Flange for circuit breaker III-IV withdrawable
- ⑥ Flange for withdrawable circuit breakers III IV with direct rotary handle RHD
- ⑦ Flange for withdrawable circuit breakers III IV with front extended terminals



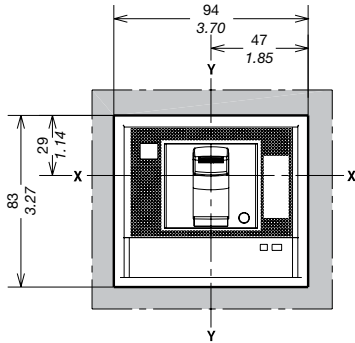
	C	D
RHD	111	124.5
FLD - MOE	114.3	134.5

Approximate dimensions

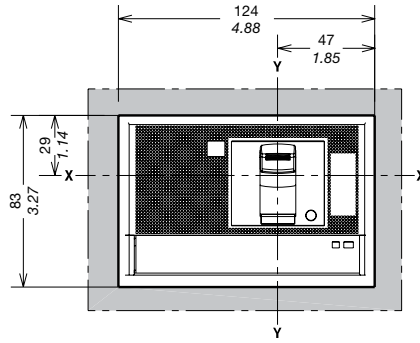
Tmax XT2 - Installation for withdrawable circuit breaker

Drilling templates compartment door

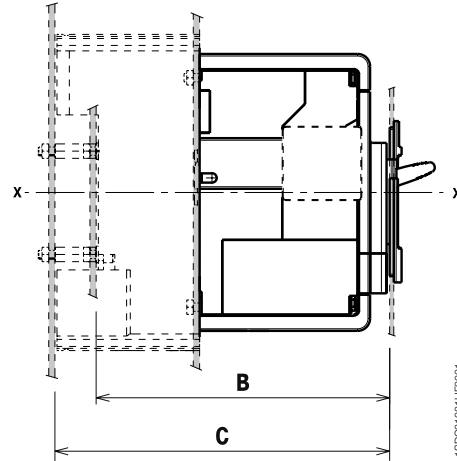
With standard flange



B=136 C=156
3 POLES

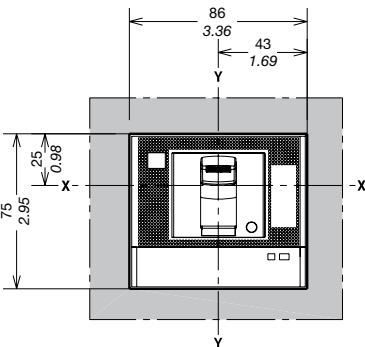


B=136 C=156
4 POLES

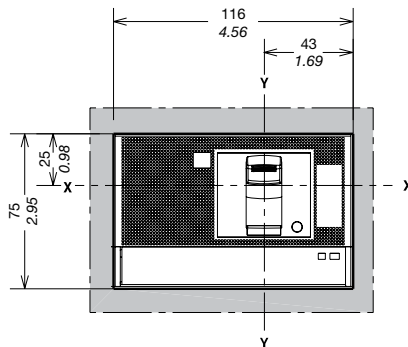


1SDC21081HF001

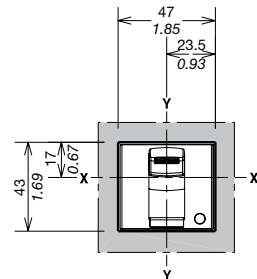
Without flange



B=133.5 C=155.5
3 POLES



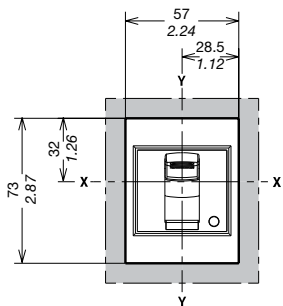
B=133.5 C=155.5
4 POLES



B=141.5 C=101.5
3-4 POLES

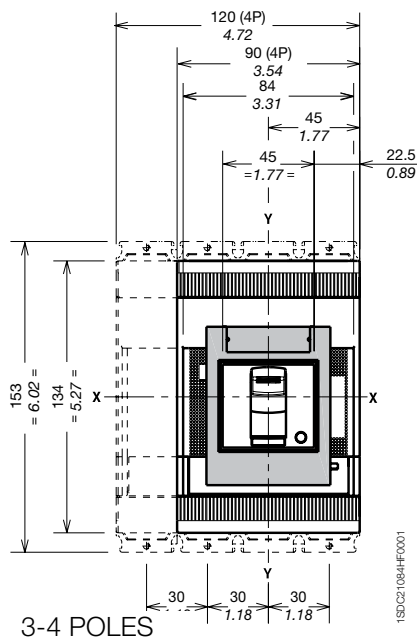
1SDC21082HF001

With optional flange



B=142 C=162
3-4 POLES

1SDC21083HF001



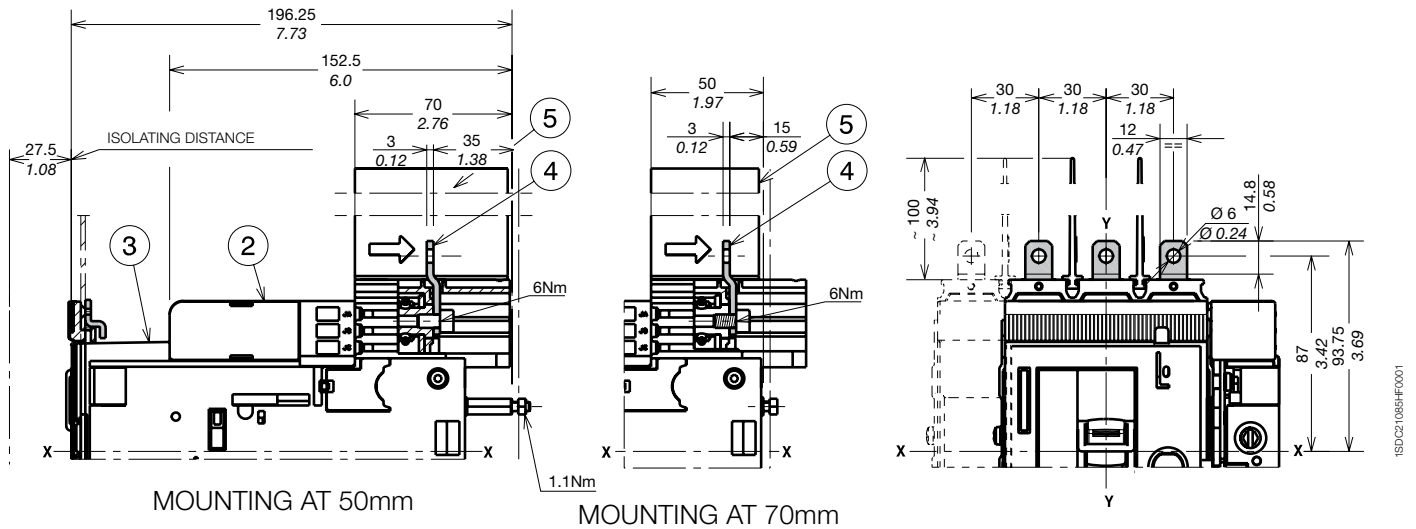
3-4 POLES

1SDC21084HF001

Approximate dimensions

Tmax XT2 - Terminals for withdrawable circuit breaker

Terminals EF



Captions

- ② Moving part
- ③ FLD (FLD or RHD or RHE or MOE) compulsory for withdrawable version
- ④ Front extended terminals
- ⑤ 100mm insulating barriers between phases (compulsory) provided

Note: insulated plate (compulsory) provided

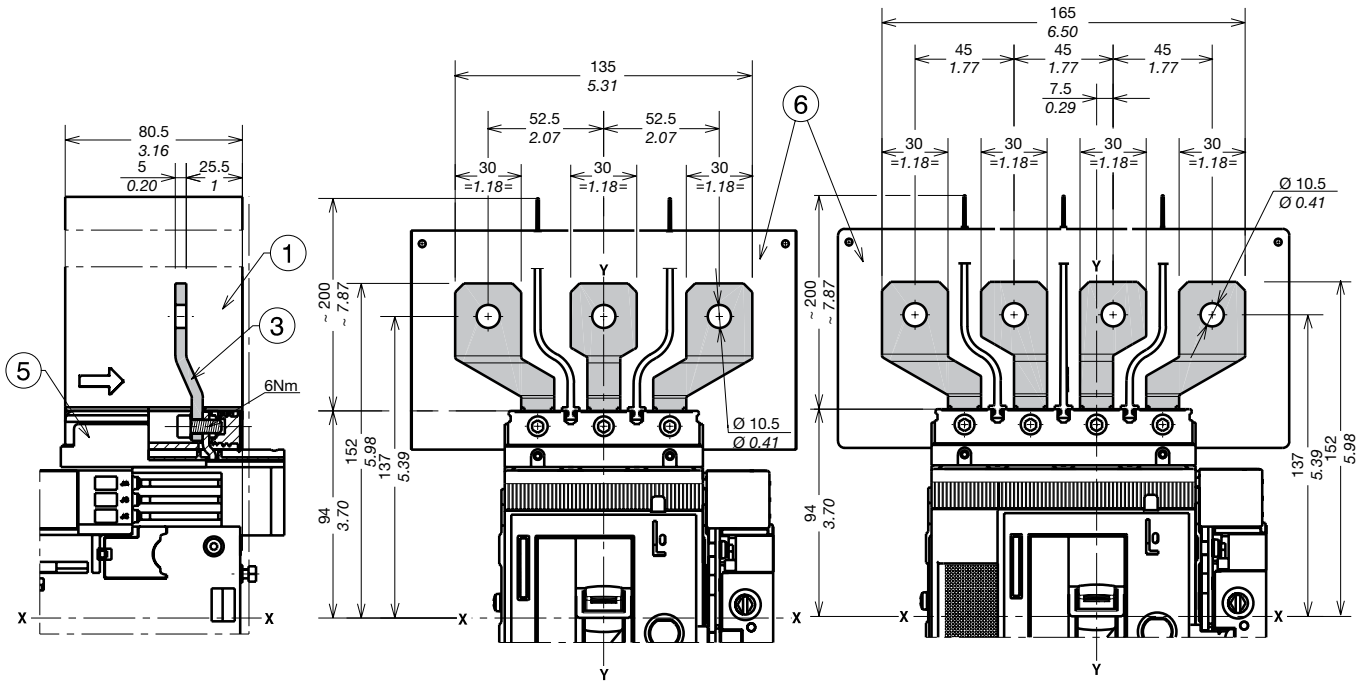
1SD2C21085HF0001

Approximate dimensions

Tmax XT2 - Terminals for withdrawable circuit breaker

Terminals ES

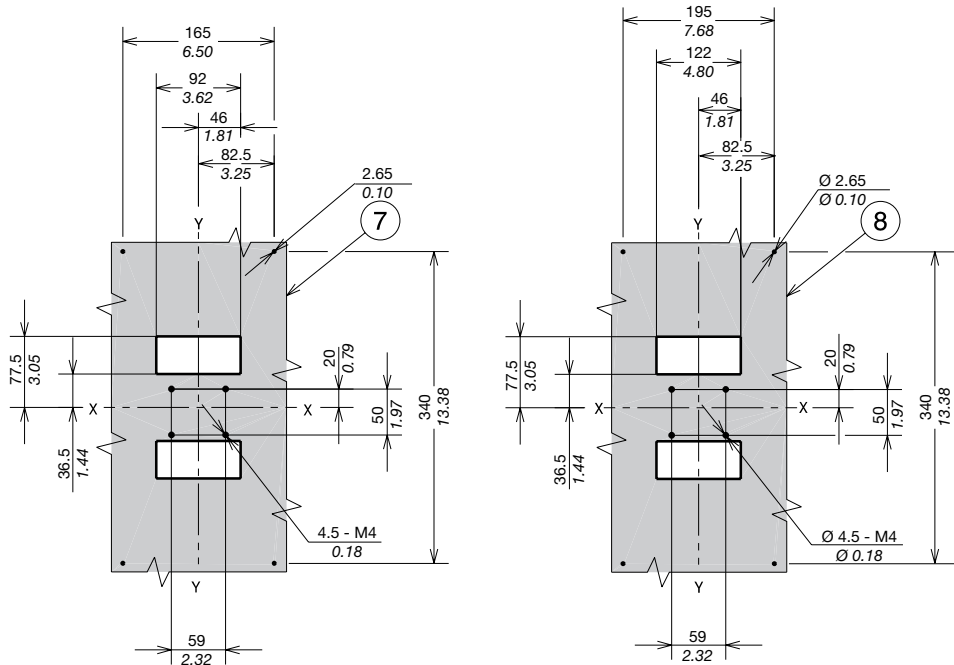
5



MOUNTING AT 50mm

Captions

- ① 200mm insulating barriers between phases (compulsory) provided
- ③ Front extended spread terminals
- ⑤ Adapter (compulsory) not provided
- ⑥ Insulated plate (compulsory) provided
- ⑦ Drilling template for 3p circuit breaker Ue>440V (compulsory)
- ⑧ Drilling template for 4p circuit breaker Ue>440V (compulsory)

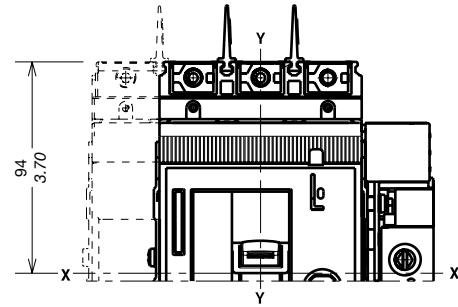
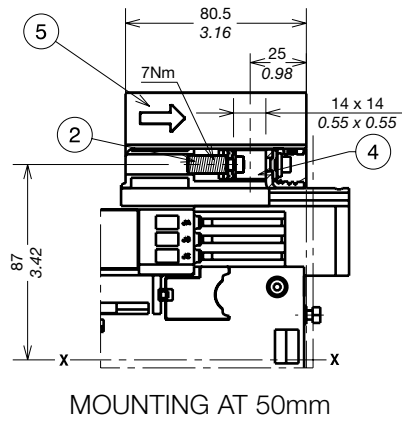


15DC21096H-F0001

Terminals FCCu

Captions

- ② Terminals FCCu
- ④ Adapter (compulsory) not provided
- ⑤ 25mm insulating barriers between phases (compulsory) provided as standard with the circuit breaker



1SDC210901HF001

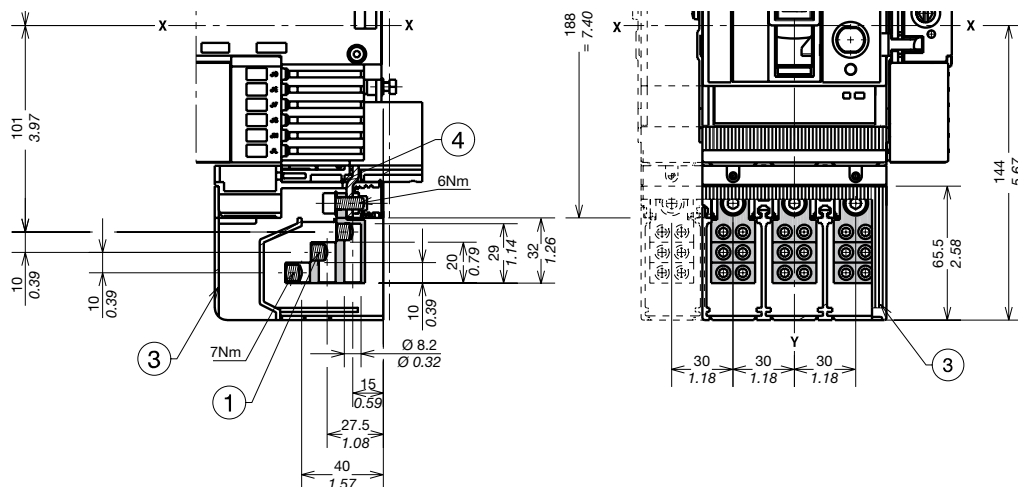
Approximate dimensions

Tmax XT2 - Terminals for withdrawable circuit breaker

Terminals MC

Captions

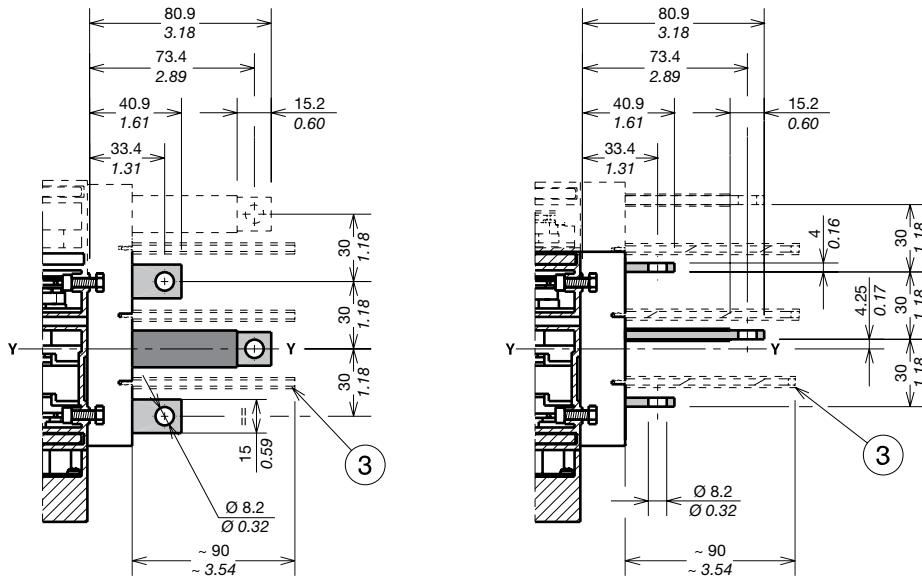
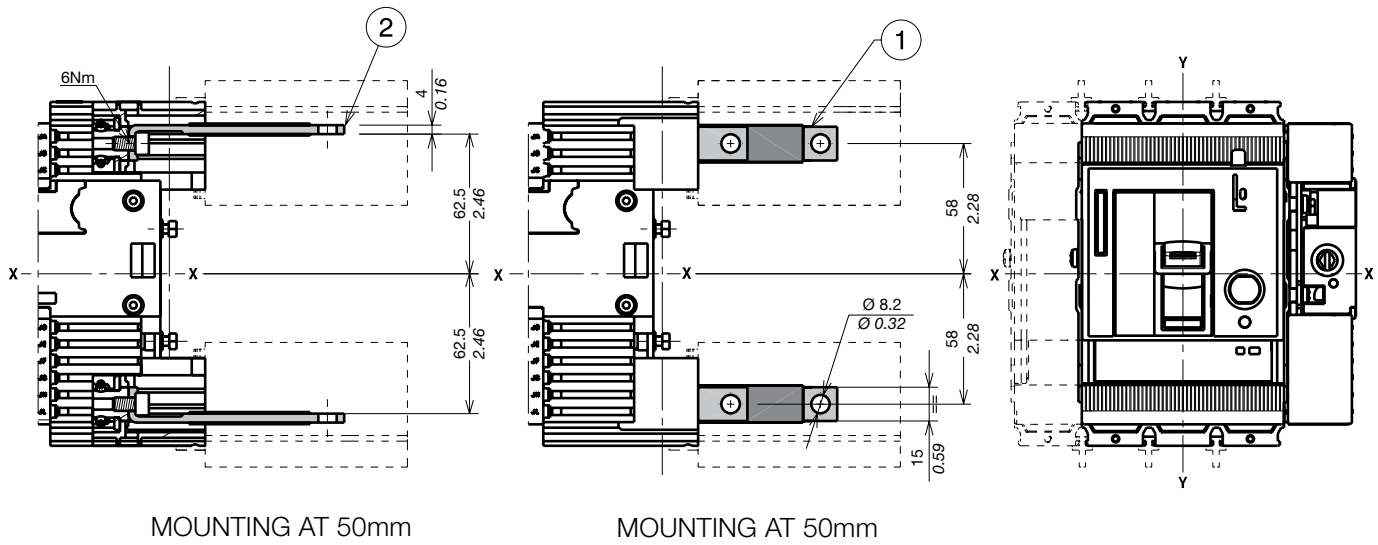
- ① Multi-cable terminals
- ③ High terminal covers with degree of protection IP40 (optional) provided
- ④ Adapter (compulsory) not provided



MOUNTING AT 50mm

18SDC21091HF0001

Terminals HR/VR



1SDC210291-F0001

Captions

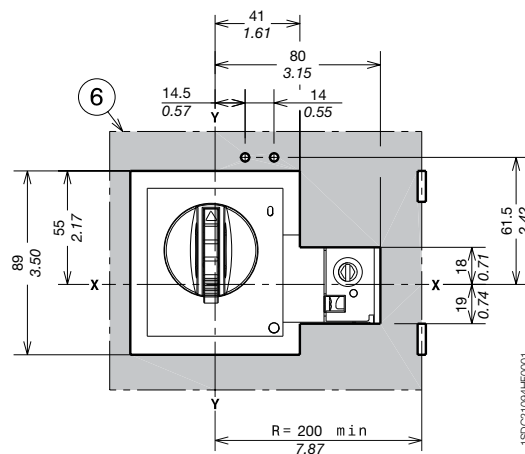
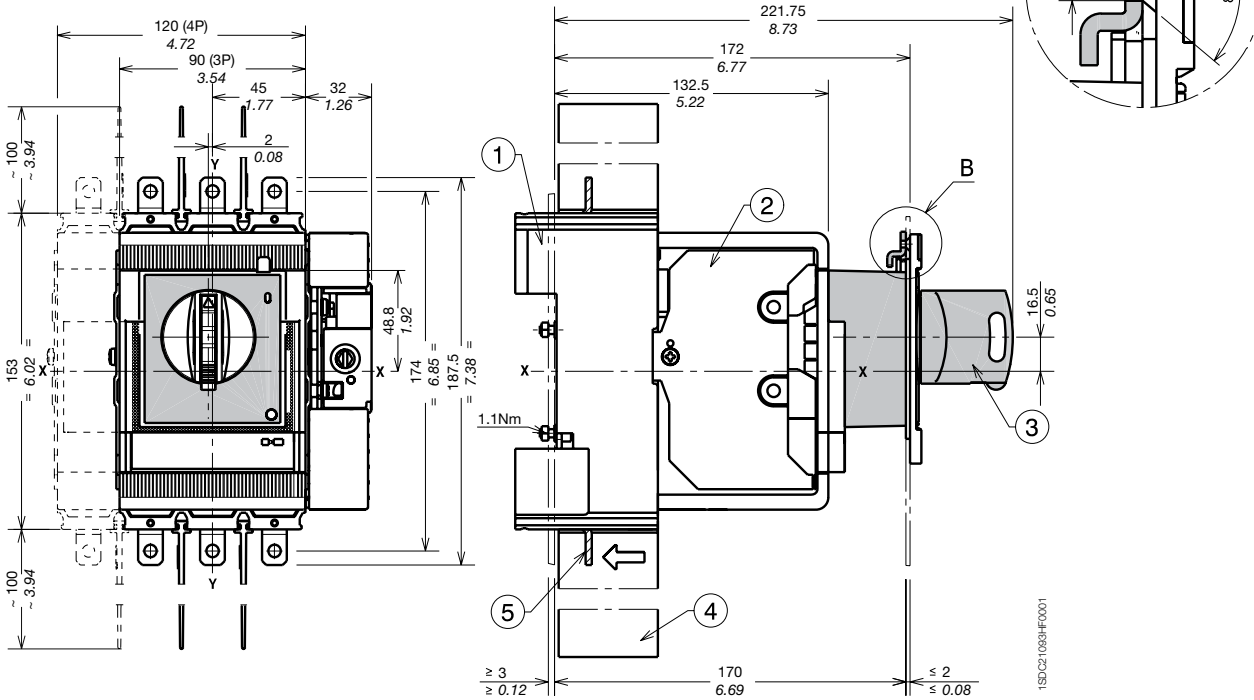
- ① Rear vertical terminals
- ② Rear horizontal terminals
- ③ 90mm insulating barriers between phases (compulsory) not provided

Approximate dimensions

Tmax XT2 - Accessories for withdrawable circuit breaker

Rotary handle operating mechanism on circuit breakers (RHD)

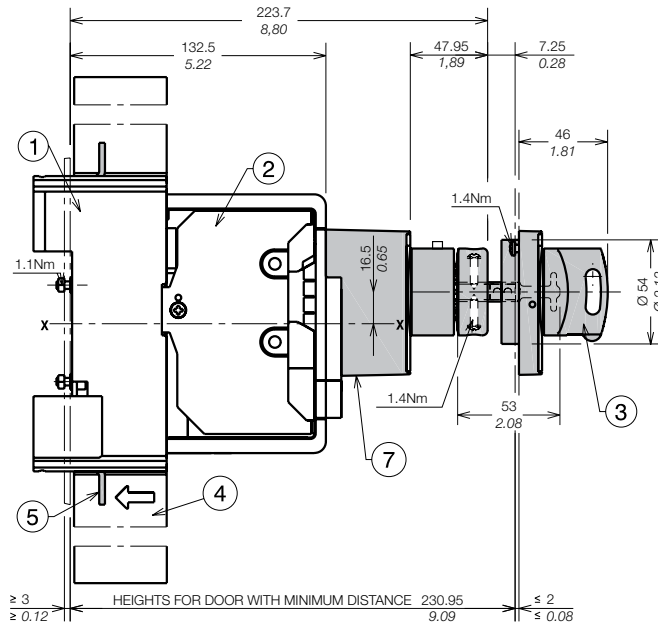
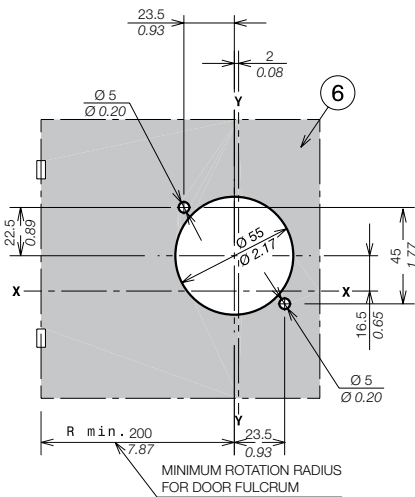
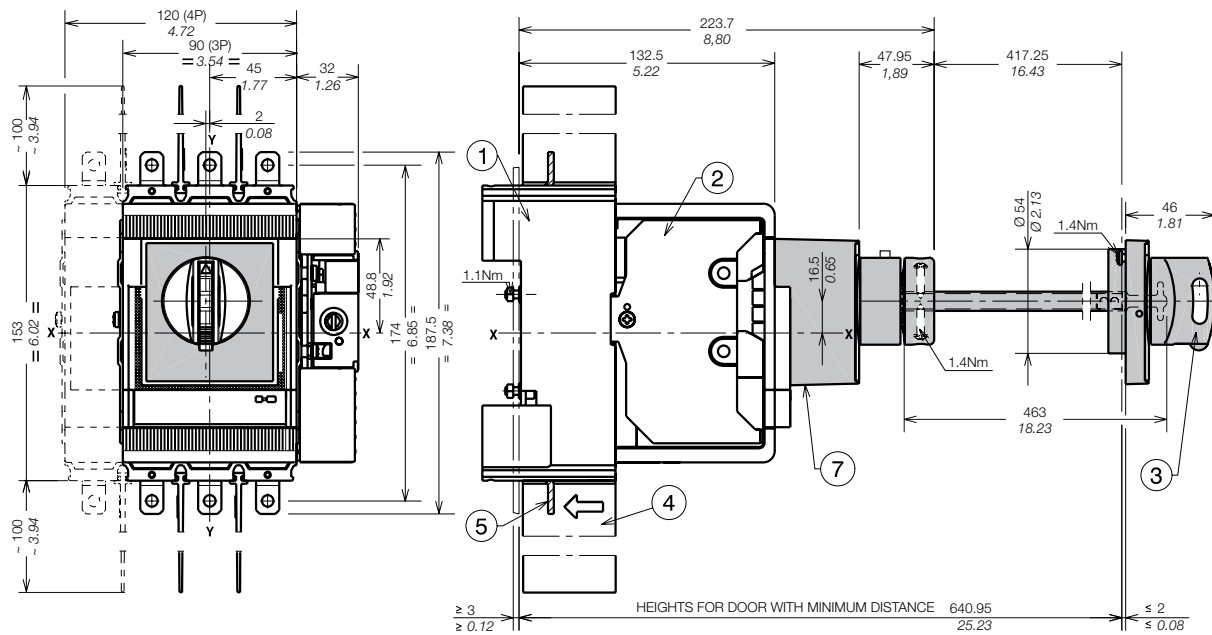
DET "B"



Captions

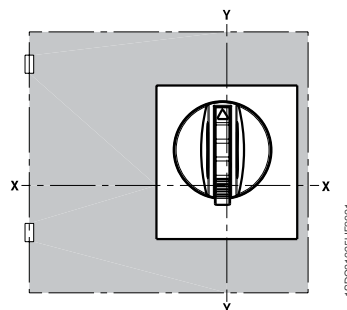
- ① Fixed part
- ② Moving part
- ③ Rotary handle operating mechanism on circuit breaker
- ④ 100mm insulating barriers between phases (compulsory) provided
- ⑤ Extended terminals
- ⑥ Drilling template of door with direct rotary handle

Rotary handle operating mechanism on the compartment door (RHE)



Captions

- ① Fixed part
- ② Moving part
- ③ Rotary handle operating mechanism on the compartment door (RHE)
- ④ 100mm insulating barriers between phases (compulsory) provided
- ⑤ Extended terminals
- ⑥ Door drilling template with extended rotary handle
- ⑦ Transmission unit



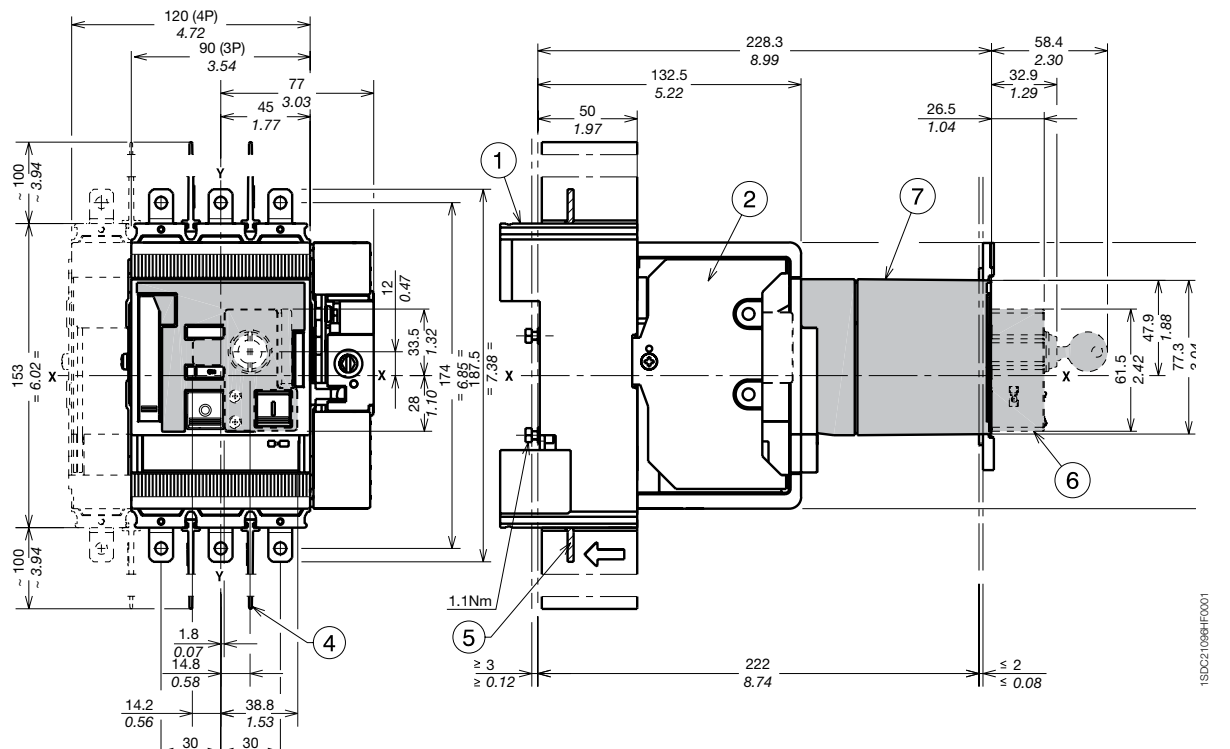
1SD2C1095HF0001

Approximate dimensions

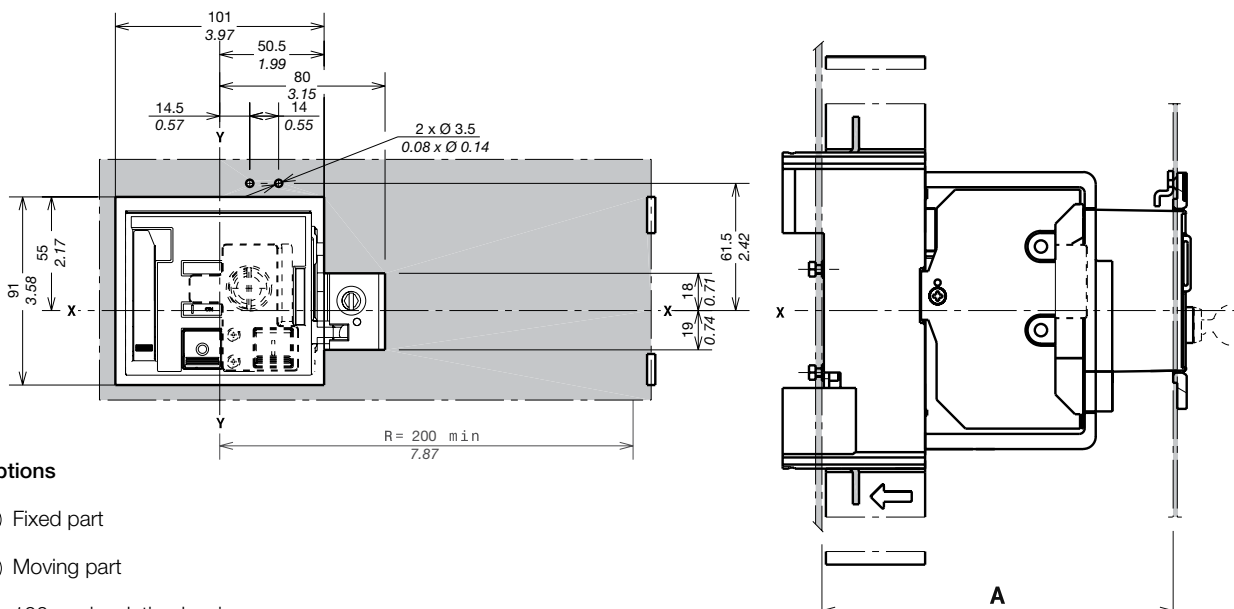
Tmax XT2 - Accessories for withdrawable circuit breaker

Stored energy motor operator (MOE)

5



1SDC2109HF001



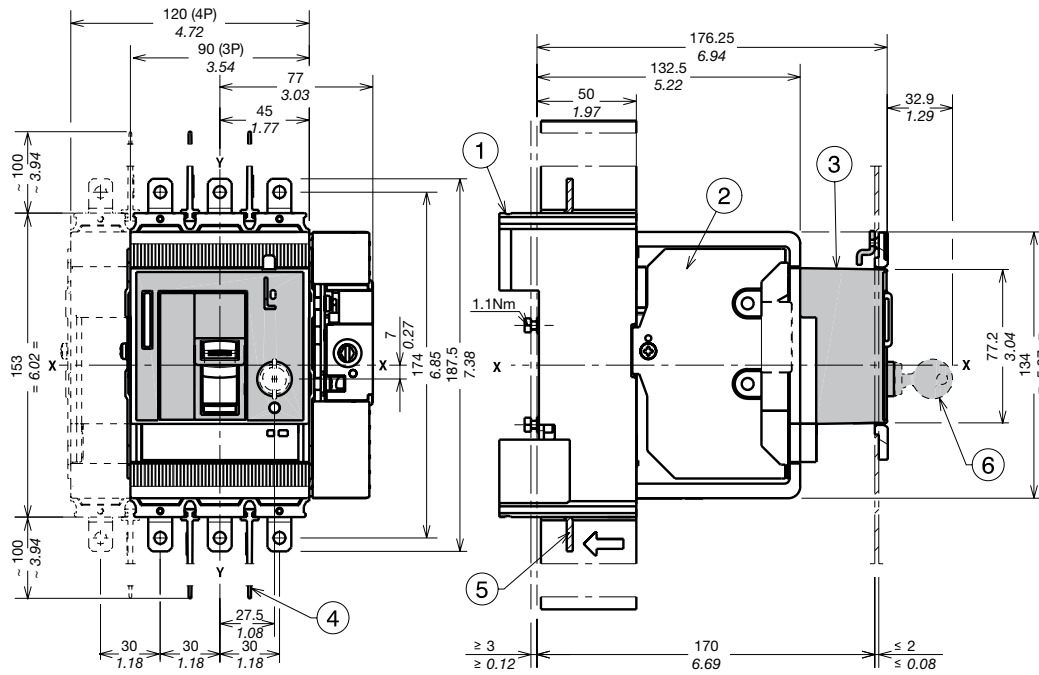
1SDC2109HF001

Captions

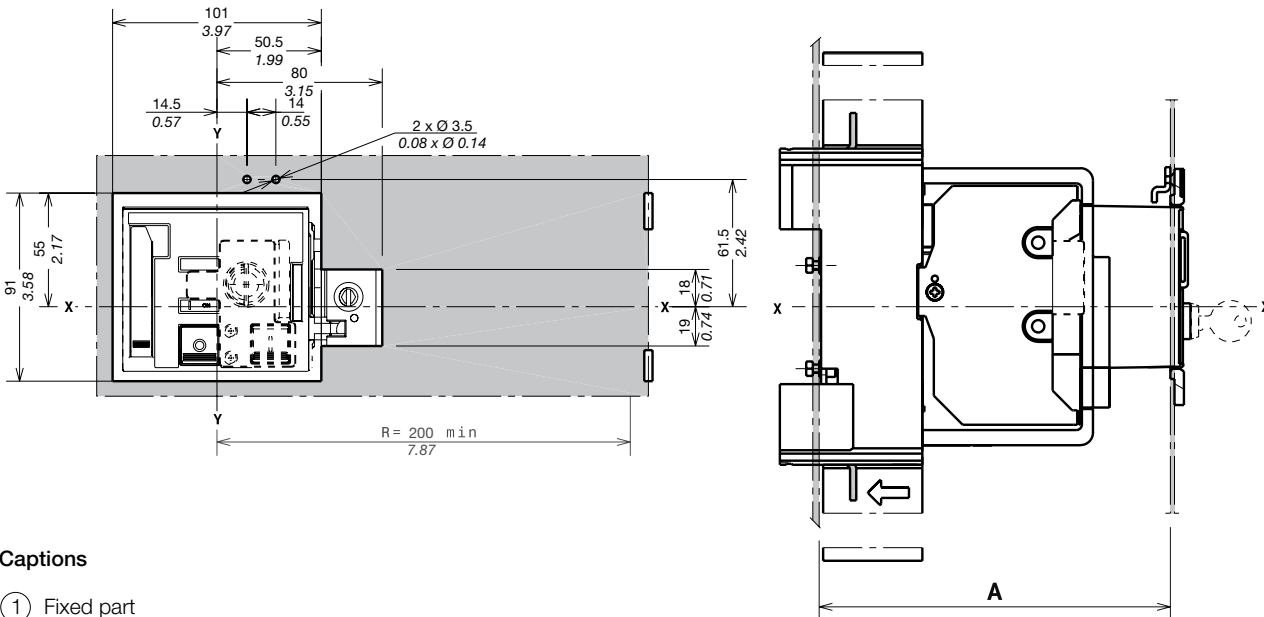
- ① Fixed part
- ② Moving part
- ④ 100mm insulating barriers between phases (compulsory) provided
- ⑤ Extended terminals
- ⑥ Key lock (not provided)
- ⑦ Stored energy motor operator (MOE)

		A
Motor operator MOE	III - IV	222

Front for lever operating (FLD)



1SD021098HF001



1SD021098HF001

Captions

- ① Fixed part
- ② Moving part
- ③ Front for lever operating (FLD)
- ④ 100mm insulating barriers between phases (compulsory) provided
- ⑤ Extended terminals
- ⑥ Key lock (not provided)

	III -	IV
Front for lever operating FLD	170	