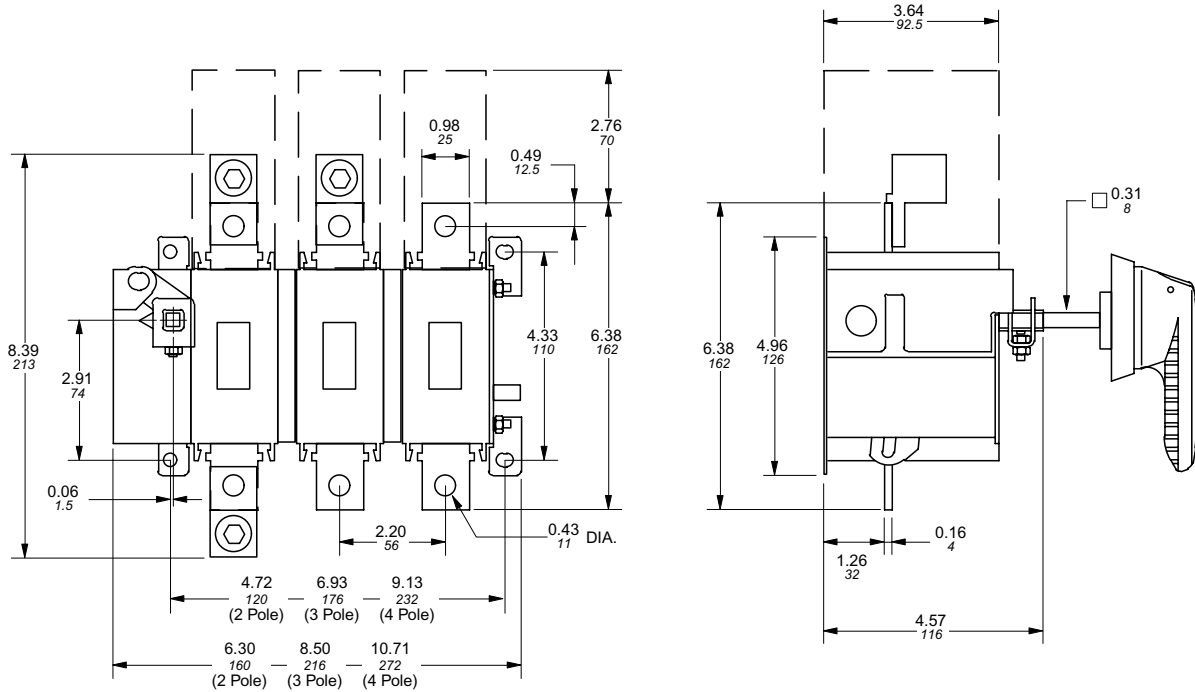


# Approximate dimensions OETL-NF200 – OETL-NF400

Disconnect  
switches  
Non-fusible

00.00 Inches  
00.00 [Millimeters]

## OETL-NF200A



## OETL-NF400

