

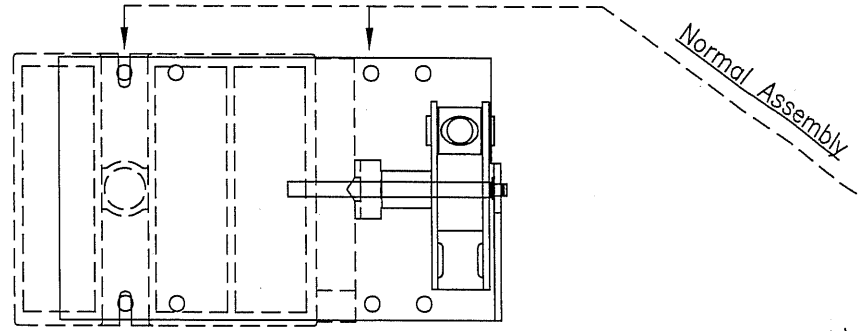
OESAZX261/6 KIT COMPONENTS

① Base Plate ⑤ Pivot bearing
② Shaft ⑥ Pivot bearing
③ Pivot arm E-ring (qty. 2)
④ Shaft spacer ⑦ Shaft E-ring

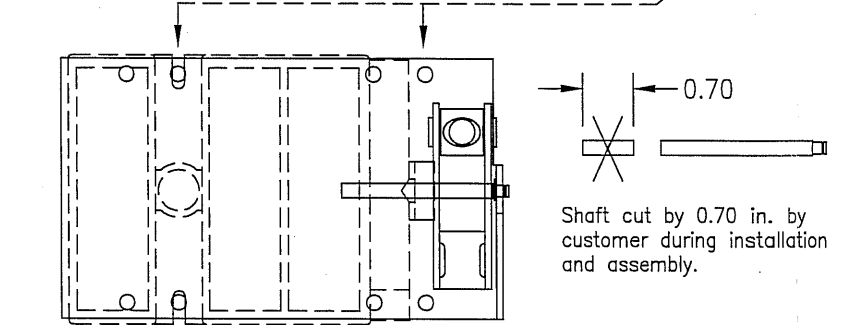
OESAZX261/6 flange switch operating mechanism kit, provided with the components shown above.

Mechanism is design to work with the OS30FA_S30 side operated 30A fusible switch.

#8-32x1/2~3/4" hardware recommended, supplied by end user.

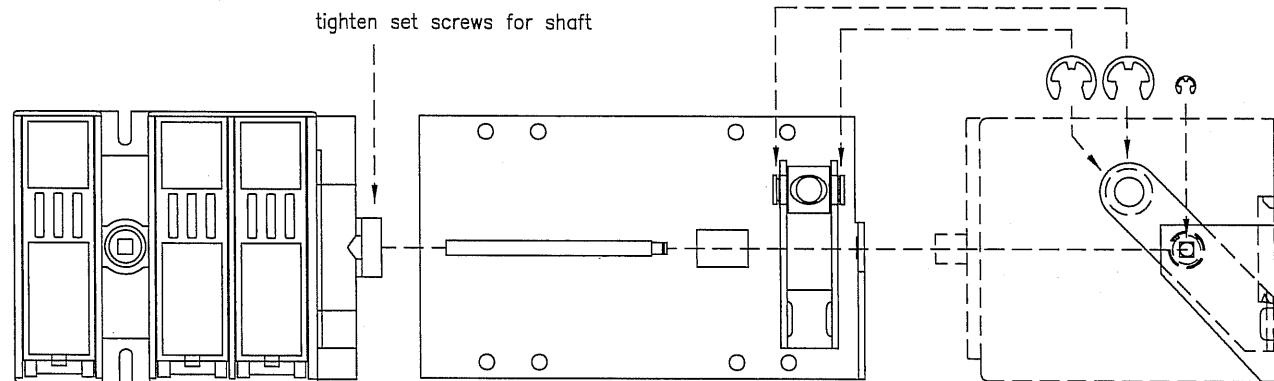
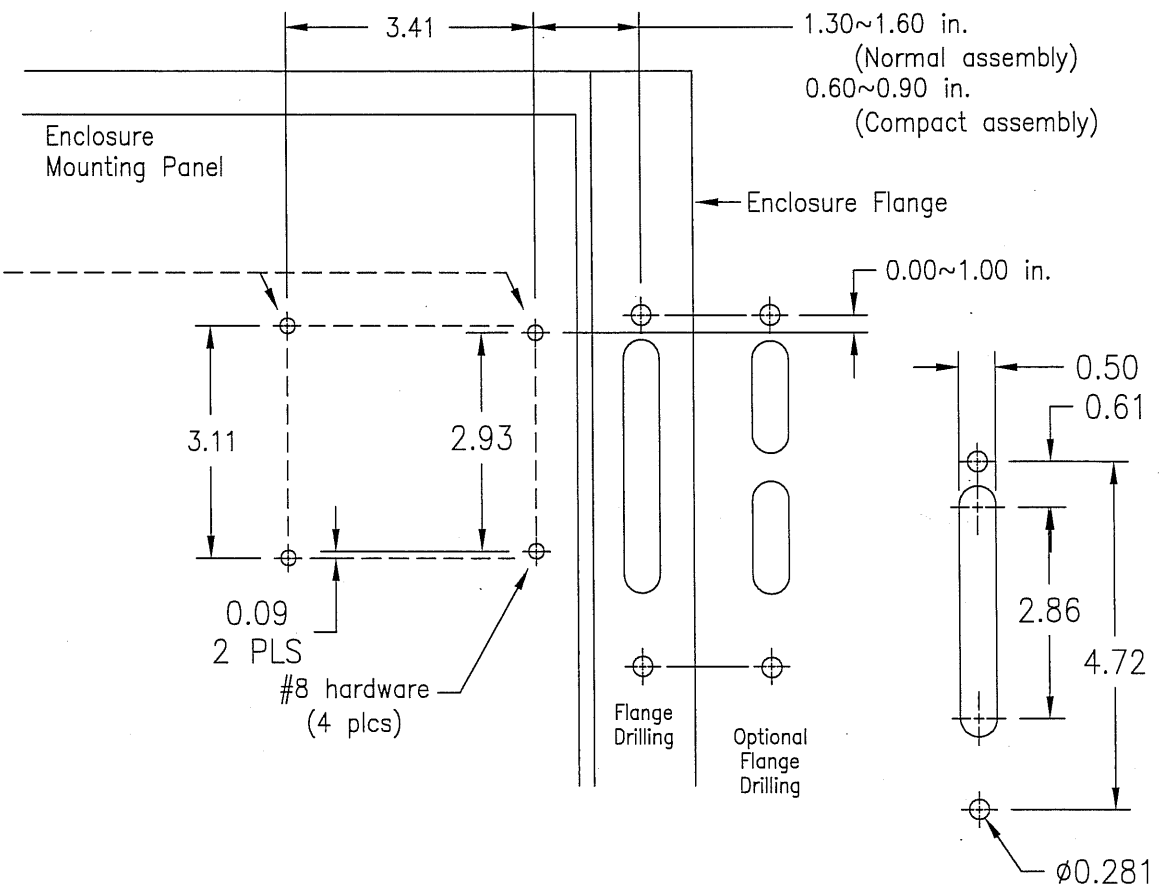


Normal Assembly This assembly is typical, most enclosures will require the right side of the switch to overhang the right side edge of the enclosure mounting plate for proper alignment with the flange handle cut-out.

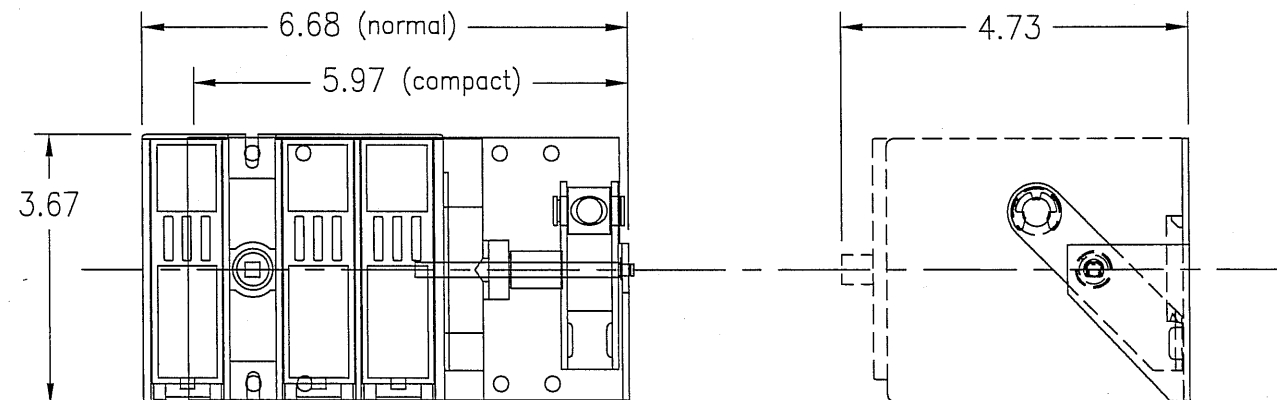


Compact Assembly Switch assembly is slightly narrower. Verify switch mounting location in enclosure before attempting to utilize this configuration. Spacer (item 4) is not required and the Shaft (item 2) may have to be shortened, as shown).

MOUNTING DIMENSIONS



Assembly Instructions for Normal Assembly (see above)
This assembly is typical, most enclosures will require the right side of the switch to overhang the right side edge of the enclosure mounting plate for proper alignment with the flange handle cut-out.



REV. LET.	REVISIONS	DATE	REV OR APPD BY	REV. LET.	REVISIONS	DATE	REV OR APPD BY
				B	REVISED SECOND SET OF MOUNTING HOLES TO 2.93" ECN: 50000002519	02/06/13	MS

THIS DRAWING IS THE PROPERTY OF ABB Inc. AND CONTAINS PROPRIETARY AND CONFIDENTIAL INFORMATION WHICH MUST NOT BE DUPLICATED, USED OR DISCLOSED OTHER THAN EXPRESSLY AUTHORIZED BY ABB Inc.



ABB Inc.

DATE	4/22/09
DRAWN BY	TSP
CHK'D	
PROJECT NO.	
SHEET	1 OF 2

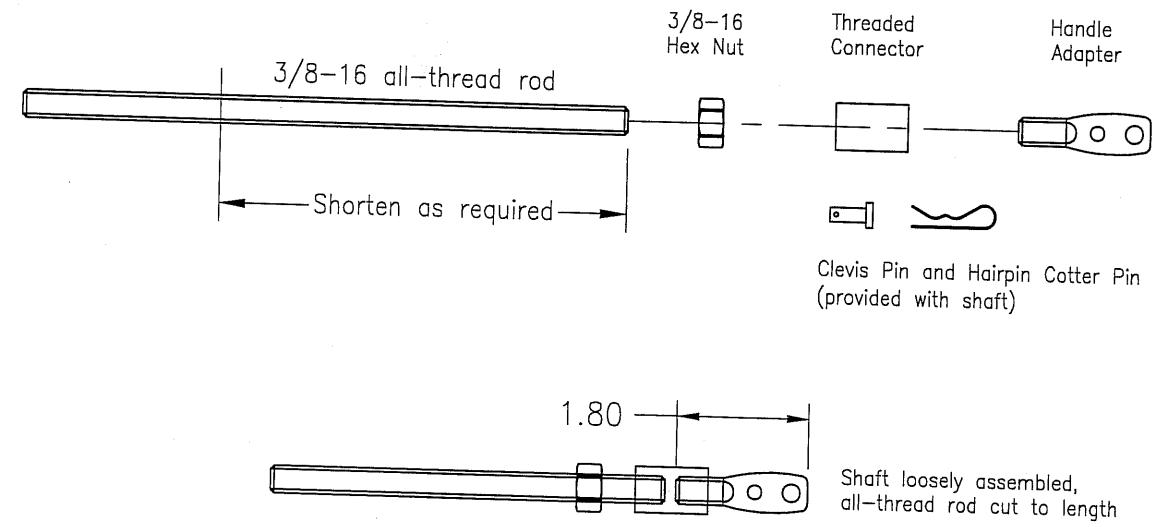
REV.	B
SIZE	B

TITLE	OS30FAJFS30 / OS30FACCF30 Flange Switch Instructions
DRAWING NUMBER	D 2502 1000-220

OPERATOR SHAFT Assembly:
 P/N: DSFHS-12, DSFHS-17 and DSFHS-22

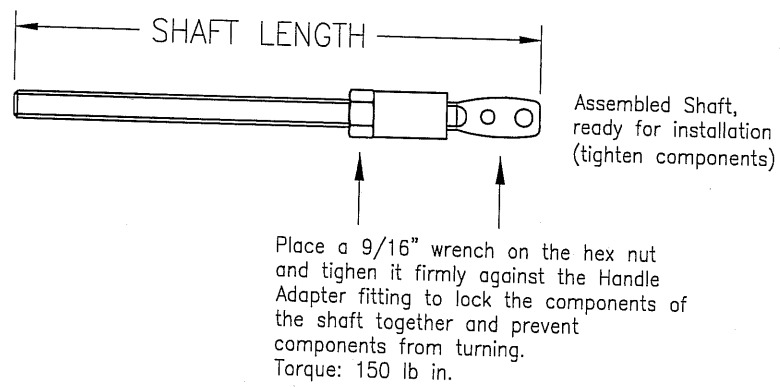
DRAWING NUMBER
 D 2502 1000-220

SHAFT COMPONENTS

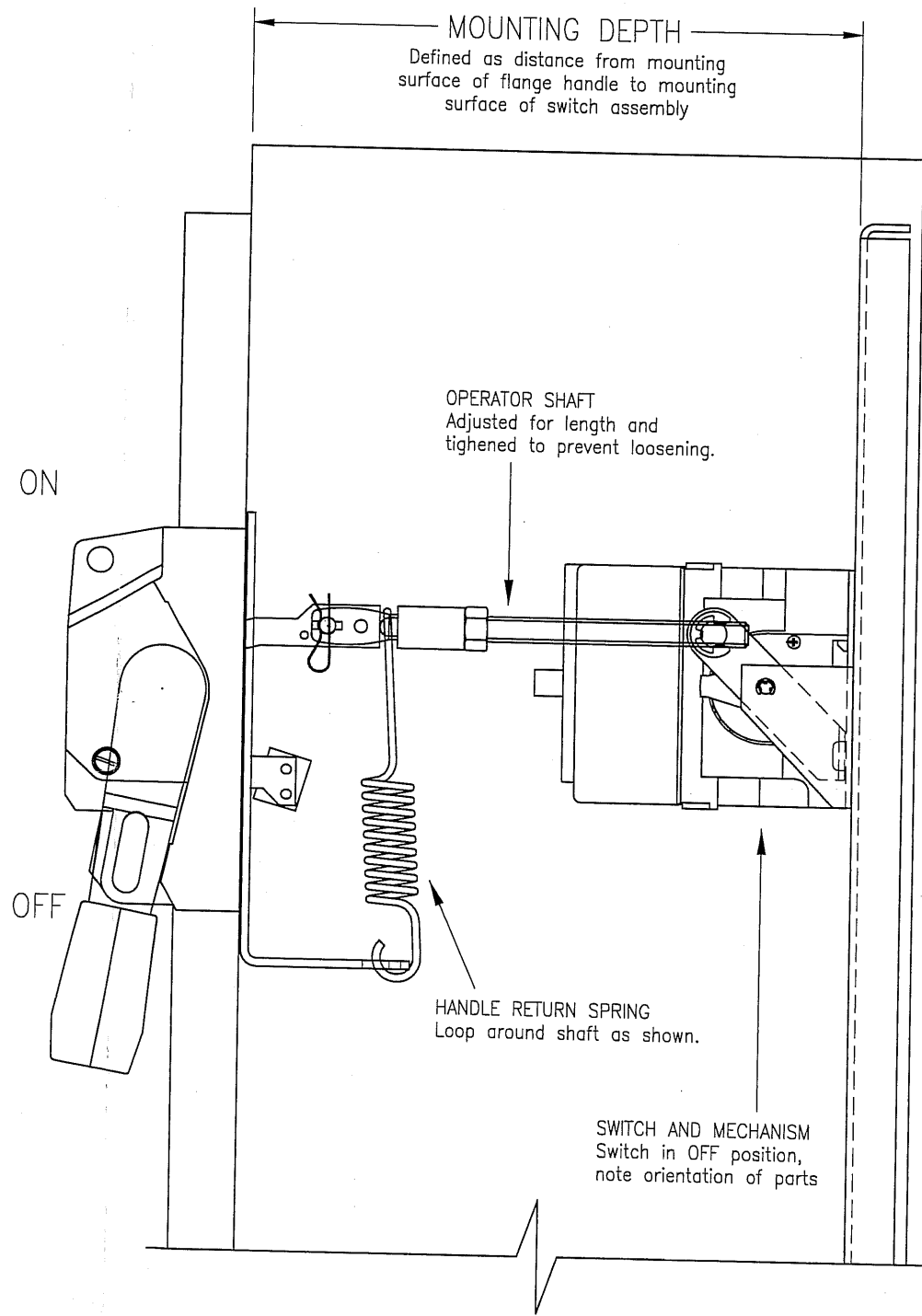


Adjust (cut) shaft to required length:

MOUNTING DEPTH - 2.5in. = SHAFT LENGTH



SWITCH INSTALLATION:
 P/N: OS30FAJS30 (class J fuse)
 P/N: OS30FACCS30 (class CC fuse)



INSTALLATION INSTRUCTIONS

- 1) Install flange handle in enclosure flange.
- 2) Install switch and mechanism on enclosure back panel, see page 1 of this drawing for assembly of switch and mechanism and location on enclosure back panel.
- 3) Adjust and install OPERATOR SHAFT between Flange Handle and switch mechanism. See instructions at left for shaft assembly.
- 4) Operate switch and adjust shaft for proper ON and OFF operation. When adjustment is complete, install handle return spring as shown at left.

PARTS LIST:

- OS30FAJF30 fuse class J, flange oper. switch kit
 Kit consists of side operated switch, OS30FAJS30, and flange mechanism, OESAZX261/6.
- OS30FACCF30 fuse class CC, flange oper. switch kit
 Kit consists of side operated switch, OS30FACCS30, and flange mechanism, OESAZX261/6.
- DSFHN-HS12 flange handle, N-3R,12
- DSFHN-HS4 flange handle, N-4,4X
- DSFHS-12 shaft, 12in. long
- DSFHS-17 shaft, 17in. long
- DSFHS-22 shaft, 22in. long

REV. LET.	REVISIONS	DATE	REV OR APPD BY	REV. LET.	REVISIONS	DATE	REV OR APPD BY

THIS DRAWING IS THE PROPERTY OF ABB Inc. AND CONTAINS PROPRIETARY AND CONFIDENTIAL INFORMATION WHICH MUST NOT BE DUPLICATED, USED OR DISCLOSED OTHER THAN EXPRESSLY AUTHORIZED BY ABB Inc.



ABB Inc.

DATE 4/22/09
 DRAWN BY TSP
 CHK'D
 PROJECT NO.
 SHEET 2 OF 2

REV. A
 TITLE OS30FAJFS30 / OS30FACCF30 Flange Switch Instructions
 SIZE B
 DRAWING NUMBER D 2502 1000-220

CUST