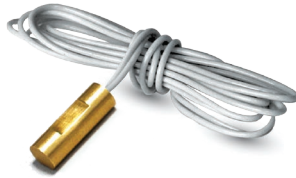




PIPE MOUNT

Small Pipe/Coil Sensor, Thermistor



The ACI Thermistor Pipe Mount Series features a 1.1" long Brass probe with a small curvature on the bottom that is designed to increase the surface area and improve the thermal conductivity between the pipe and the sensor. Each sensor has two, 24 inch 22 AWG Etched Teflon colored lead wires to differentiate the many different sensor types. All sensors in this series are manufactured using ACI's proven double encapsulation process to eliminate the effects of moisture upon the sensors and to improve the thermal response times using our high quality, thermally conductive epoxy. The Pipe Mount sensor should be used to monitor pipe or coil sizes from 1/2" to 1" in diameter. A 7.5" nylon wire tie is supplied for fastening the sensor to the top of the pipe. For best accuracy and increased thermal conduction between the pipe and

sensor, ACI recommends to clean the pipe and to apply thermal grease between the sensor and pipe before securely fastening to the pipe and insulating the sensor from any effects of the ambient air. An optional Plenum rated cable, Zip wire or NIST Certificate are available as referenced in the ordering grid on the back of the Product Data Sheet.

Applications: Cooling Coils, Heating Coils, Hot Water Systems, Chilled Water Systems, Hydronic Heating Systems, Chillers

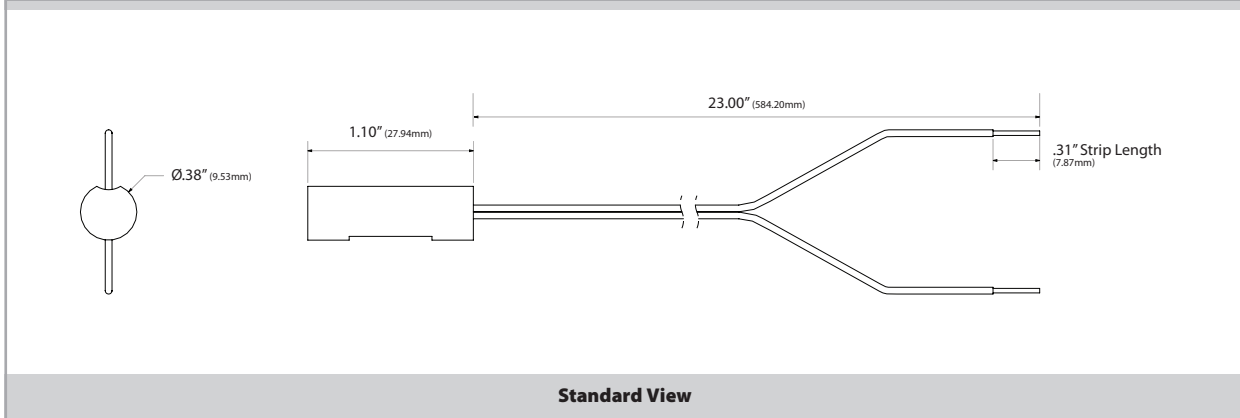
PRODUCT SPECIFICATIONS

Sensor Type Sensor Curve:	Thermistor Non-Linear, NTC (Negative Temperature Coefficient)	
Number Sensing Points:	One	
Number Wires:	Two (Non-Polarity Sensitive)	
Sensor Output @ 25°C (77°F) (Lead Wire Colors):	A/1.8K: 1.8KΩ nominal (Red/Yellow)	A/CSI: 10KΩ nominal (Green/Yellow)
	A/3K: 3KΩ nominal (White/Brown)	A/10KS: 10KΩ nominal (White/Blue)
	A/AN (Type III): 10KΩ nominal (White/White)	A/10K-E1: 10KΩ nominal (Gray/Orange)
	A/AN-BC: 5.238KΩ nominal (White/Yellow)	A/20K: 20KΩ nominal (Brown/Blue)
	A/CP (Type II): 10KΩ nominal (White/Green)	A/100KS: 100KΩ nominal (Black/Yellow)
Sensor Accuracy 0-70°C (32-158°F):	+/-0.2°C (+/-0.36°F) except A/10K-E1 Series: +/-0.3°C (+/-0.54°F); A/1.8K Series: +/- 0.5°C @ 25°C (77°F) and (+/-1.0°C) (+/-1.8°F)	
Power Dissipation Constant:	3 mW/°C except A/1.8K Series: 1 mW/°C A/10K-E1 Series: 2 mW/°C	
Stability:	Sensor Dependent; Contact ACI for more information on the sensor in question.	
Response Time (63% Step Change):	20 Seconds nominal	
Pipe Mount Sensor Enclosure Material:	Brass	
Pipe Sizes Acceptable:	1/2" (12.7mm) to 1" (25.4mm)	
Operating Temperature Range:	-40 to 150°C (-40 to 302°F)	
Storage Temperature Range:	-40 to 85°C (-40 to 185°F)	
Operating Humidity Range:	10 to 95% RH, Condensing	
Lead Length Conductor Size:	24" (61cm) 22 AWG (0.65mm)	
Lead Wire Insulation Wire Rating:	Etched Teflon (PTFE) Colored Leads MIL-W-16878/4 (Type E)	
Conductor Material:	Silver Plated Copper	
Product Dimensions (Length x Diameter):	1.10" (27.9mm) x 0.375" (9.53mm)	
Product Weight:	0.05 lbs. (22.68g)	
Agency Approvals:	CE, RoHS2, WEEE	





DIMENSIONAL DRAWING



STANDARD ORDERING

Model # Example: **A/AN-PM -OR- 138628**

Model #	Item #	Description
A/1.8K-PM	138644	1.8K Pipe Mount, 24" Leads
A/3K-PM	138659	3K Pipe Mount, 24" Leads
A/AN-PM	138628	AN (Type III) Pipe Mount, 24" Leads
A/AN-BC-PM	138996	AN-BC Pipe Mount, 24" Leads, 11K Shunt
A/CP-PM	138629	CP (Type II) Pipe Mount, 24" Leads
A/CSI-PM	138662	CSI Pipe Mount, 24" Leads
A/10KS-PM	142395	10KS Pipe Mount, 24" Leads
A/10K-E1-PM	138655	10K-E1 Pipe Mount, 24" Leads
A/20K-PM	138631	20K Pipe Mount, 24" Leads
A/100KS-PM	138654	100KS Pipe Mount, 24" Leads

OPTIONAL SENSOR ORDERING

Model # Example: **A/ 1.8K PM 20' Z NIST**
A. B. C. D. E. F.

MODEL #

A. Sensor Series <i>No Selection Required</i>	A/ →	A/
B. Model Series <i>Select One (1)</i>	1.8K 3K AN AN-BC CP CSI 10KS 10K-E1 20K 100KS	
C. Configuration <i>No Selection Required</i>	PM = 1.1" Brass Pipe Mount Sensor →	PM
D. Lead Length <i>Select One (1)</i>	---- = Standard (24" Etched Teflon) 10' = 10 Feet (3.05m) 20' = 20 Feet* (6.10m)	
E. Lead Wire Type <i>Select One (1)</i>	CL2P = Plenum Rated Cable Z = 2 Conductor White Zip Wire	
F. NIST <i>Select One (1)</i>	---- = No NIST Certificate NIST = NIST Certificate (Must Specify 1, 3 or 5 Points)	

Note*: The 20' Length is not CE Compliant but it is RoHS Compliant

ACCESSORIES ORDERING

Model # Example: **HARDWARE, 2" HOSE CLAMP -OR- 100235**

Model #	Item #	Description
HARDWARE, 2" HOSE CLAMP	100235	Hardware, 2" Hose Clamp, Quick Release Worm Gear, 201/301 Stainless Steel
NSG HEAT TRANSFER PASTE 2OZ	102595	Thermal Grease, 2 oz. Tube, Silicone Free, -40 to 320°F (-40 to 160°C)
NSG HEAT TRANSFER PASTE 16OZ	140574	Thermal Grease, 16 oz. Jar, Silicone Free, -40 to 390°F (-40 to 198°C)

Revision C0000002 | Rev 1.0

