



DUCT WITHOUT BOX

Flange Mounted Duct Sensor, Platinum RTD

The ACI Platinum Duct without Box Series features a 1/4" diameter stainless steel sensing element with two, 14 or 24 inch, 22 AWG Etched Teflon colored lead wires to differentiate the different sensor types. The three-wire "-3W" option should be ordered if using with a 3-Wire temperature transmitter or sensor configuration on your building management system or PLC (Programmable Logic Controller). The purpose of the 3rd wire is to compensate for any external lead wire resistance that will affect the accuracy of your sensors output signal. ACI recommends the use of 18 AWG lead wires to reduce the external lead wire resistance when using a Platinum RTD sensor and its lower sensor resolution. The sensors in this series are manufactured using ACI's proven double encapsulation process to eliminate the effects of

moisture upon the sensors as well as increased response times using our high quality, thermally conductive epoxy. The duct style sensor is a single point sensor designed to be used in smaller duct applications and includes an insulation pad for properly sealing your duct as well as to dampen vibration. Sensor length should be determined by the actual width or diameter of your duct such that the tip of the probe is in the approximate center of the duct. On larger ducts, you may want to refer to our Rigid or Bendable Copper Averaging sensor for increased sensing points and better temperature control. The Duct without Box Series can be ordered with optional plenum rated cables, jacket materials and standard lead lengths.

Applications: Roof Top Units, Air Handlers, Monitoring Supply/Discharge/Return/Mixed Air Temperatures

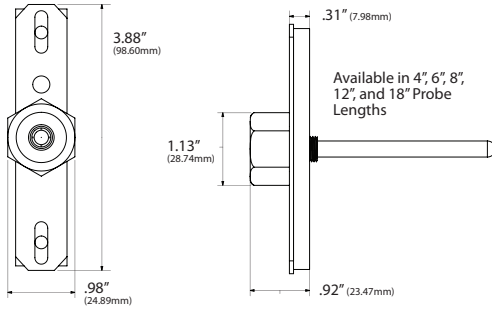
PRODUCT SPECIFICATIONS

Sensor Type Sensor Curve:	Platinum RTD PTC (Positive Temperature Coefficient)
Number Sensing Points:	One
Number Wires:	A/100-2W-DO Series and A/1K-2W-DO Series: Two (Non-Polarity Sensitive) A/100-3W-DO Series and A/1K-3W-DO Series: Three (Polarity Sensitive)
Sensor Output @ 0°C (32°F):	A/100-xW-DO Series: 100 Ohms nominal A/1K-xW-DO Series: 1000 Ohms nominal
Sensor Accuracy @ 0°C (32°F):	+/- 0.06% Class A (Tolerance Formula: +/- °C = (0.15°C + (0.002 * t)) where t is the absolute value of Temperature above or below 0°C in °C) -40°C (-40°F): +/- 0.23°C (+/- 0.414°F) 0°C (32°F): +/- 0.15°C (+/- 0.27°F) 115°C (239°F): +/- 0.38°C (+/- 0.69°F)
Din Standard Temperature Coefficient:	DIN EN 60751 (IEC 751) 3850 ppm / °C
Sensor Stability:	+/- 0.03% after 1000 Hours @ 300°C (572°F)
Response Time (63% Step Change):	8 Seconds nominal
Self-Heating Maximum Operating Current:	100 Ohm RTD: 7 mW/°C (Still Air) 5 mA 1K Ohm RTD: 4 mW/°C (Still Air) 3 mA
Operating Storage Temperature Range:	-40 to 115°C (-40 to 239°F) -40 to 85°C (-40 to 185°F)
Operating Humidity Range:	10 to 95% RH, non-condensing
Probe Material Flange Material:	304 Stainless Steel Galvanized Steel
Fitting Material Flammability Rating:	Polyamide 66 (High Performance Nylon) UL94-HB
Foam Pad Material Flammability Rating:	Neoprene/EPDM/SBR Polymer UL94-HBF; FMVSS-302; MIL-R-6130C
Lead Length Conductor Size:	4", 6" and 8" Probes: 14" (35.6 cm) 12" and 18" Probes: 24" (61cm) 22 AWG (0.65mm)
Lead Wire Insulation Wire Rating:	Etched Teflon (PTFE) Colored Leads MIL-W-16878/4 (Type E)
Conductor Material:	Silver Plated Copper
Probe Diameter:	0.250" (6.35mm)
Product Dimensions Product Weight:	See table on back of Product Data sheet
Agency Approvals:	CE, RoHS2, WEEE





DIMENSIONAL DRAWING. WEIGHTS



xx = Sensor Type | yy = Insertion Length

Duct Without Box [DO] Weights

ACI Model #	4" (Probe Length)	6" (Probe Length)	8" (Insertion Length)
A/xx-DO-yy	0.10 lbs. (0.045 kg)	0.11 lbs. (0.050 kg)	0.17 lbs. (0.077 kg)
A/xx-DO-yy-10'-CL2P	0.20 lbs. (0.091 kg)	0.21 lbs. (0.095 kg)	0.22 lbs. (0.100 kg)
A/xx-DO-yy-20'-CL2P	0.27 lbs. (0.122 kg)	0.28 lbs. (0.127 kg)	0.29 lbs. (0.132 kg)

ACI Model #	12" (Insertion Length)	18" (Insertion Length)
A/xx-DO-yy	0.19 lbs. (0.086 kg)	0.21 lbs. (0.095 kg)
A/xx-DO-yy-10'-CL2P	0.24 lbs. (0.108 kg)	0.27 lbs. (0.122 kg)
A/xx-DO-yy-20'-CL2P	0.31 lbs. (0.141 kg)	0.34 lbs. (0.154 kg)

Standard Views

Product Weights

STANDARD ORDERING

Model # Example: A/100-2W-DO-4" -OR- 119951

Model #	Item #	Description
A/100-2W-DO-4"	119951	100 Ohm RTD, 2-Wire, Duct 4" w/o Box, Flange Only, 14" Brown/Brown Leads
A/100-2W-DO-6"	133370	100 Ohm RTD, 2-Wire, Duct 6" w/o Box, Flange Only, 14" Brown/Brown Leads
A/100-2W-DO-8"	119952	100 Ohm RTD, 2-Wire, Duct 8" w/o Box, Flange Only, 14" Brown/Brown Leads
A/100-2W-DO-12"	142486	100 Ohm RTD, 2-Wire, Duct 12" w/o Box, Flange Only, 24" Brown/Brown Leads
A/100-2W-DO-18"	133019	100 Ohm RTD, 2-Wire, Duct 18" w/o Box, Flange Only, 24" Brown/Brown Leads
A/1K-2W-DO-4"	120290	1K Ohm RTD, 2-Wire, Duct 4" w/o Box, Flange Only, 14" Black/Black Leads
A/1K-2W-DO-6"	133175	1K Ohm RTD, 2-Wire, Duct 6" w/o Box, Flange Only, 14" Black/Black Leads
A/1K-2W-DO-8"	120291	1K Ohm RTD, 2-Wire, Duct 8" w/o Box, Flange Only, 14" Black/Black Leads
A/1K-2W-DO-12"	120289	1K Ohm RTD, 2-Wire, Duct 12" w/o Box, Flange Only, 24" Black/Black Leads
A/1K-2W-DO-18"	142487	1K Ohm RTD, 2-Wire, Duct 18" w/o Box, Flange Only, 24" Black/Black Leads

CUSTOM ORDERING

Model # Example: A/ 1K 2W DO 6" 10' CL2P NIST

MODEL #

A. Sensor Series No Selection Required	A/	A/
B. Model Series Select One (1)	100 = 100 Ohm Platinum RTD 1K = 1K Ohm Platinum RTD	
C. Number of Wires Select One (1)	2W = Two Wires 3W = Three Wires	
D. Configuration No Selection Required	DO = Duct without Box (Mounting Flange Only)	DO
E. Probe Length Select One (1)	4" = 4" Probe 6" = 6" Probe 8" = 8" Probe 12" = 12" Probe 18" = 18" Probe	
F. Lead Length Select One (1)	---- = Standard 14" or 24" Lead Length 10' = 10 Feet (3.05m) 20' = 20 Feet* (6.10m)	
G. Lead Wire Type Select One (1)	---- = Standard Etched PTFE Colored Leads CL2P = 2 Conductor Plenum Rated Cable	
H. NIST Select One (1)	---- = No NIST Certificate NIST = NIST Certificate (Must Specify 1, 3 or 5 Points)	

Note*: All 20' Sensors are not CE compliant, but are RoHS2 compliant

