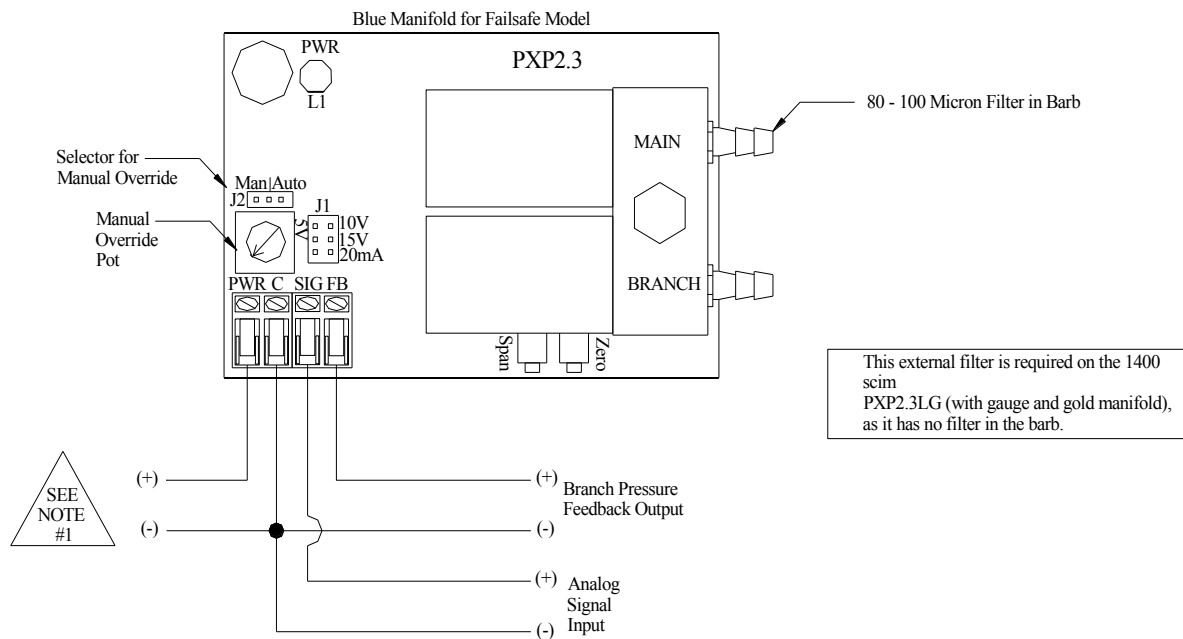




Installation and Operation Instructions PXP2.3/PXP2.3FS/PXP2.3LG

Analog Current or Voltage to Modulated Pressure Output Dual Valve, Standard and Fail Safe



INSTALLATION

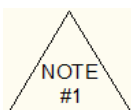
READ THESE INSTRUCTIONS BEFORE YOU BEGIN INSTALLATION.

Ground yourself before touching board. Some components are static sensitive.

Mounting:

Circuit board may be mounted in any position. If circuit board slides out of snap track, a non-conductive "stop" may be required. Use only fingers to remove board from snap track. Slide out of snap track and push against side of snap track and lift that side of the circuit board to remove. Do not flex board or use tools.

POWER CONNECTIONS – THIS PRODUCT ACCEPTS 24 VDC OR 24 VAC POWER.



Be sure to follow all local electrical codes. Refer to wiring diagram for connection information.

Make all connections with the power off.

- 1.) DC Power – Refer to wiring diagram for connection information.
If the 24 VDC power is shared with devices that have coils such as relays, solenoids, or other inductors, each coil must have an MOV, DC Transorb, or diode placed across the coil or inductor. The cathode, or banded side of the DC Transorb or diode, connects to the positive side of the power supply.
- 2.) AC Power – Refer to wiring diagram for connection information.
Check the wiring configuration of any other loads that may be connected to this transformer. If required by BAS or controller specification, the 24 VAC neutral can be earth grounded at the transformer. Analog input, digital input, and analog output circuits should not be earth grounded at two points. Any field device connected to this transformer must use the same common. If you are not sure of other field device configuration, use separate transformers for isolation. If the 24 VAC power is shared with devices that have coils such as relays, solenoids, or other inductors, each coil must have an MOV, AC Transorb, or other spike snubbing device across each

of the shared coils. Without these snubbers, coils produce very large voltage spikes when de-energizing that can cause malfunction or destruction of electronic circuits. Refer to wiring diagram for connection information.

- 3.) You should measure the actual voltage output of the secondary. If the output is not fully loaded you may read a higher voltage than the circuit board can handle.

The gauge port will accept a miniature 1/8"-27 FNPT back-ported pressure gauge to allow direct reading of branch line pressure. The gauge should be sealed by Teflon sealing tape, and should be tightened just snug, using a backup wrench to hold the manifold. **ADJUSTMENT OF INSTALLED GAUGES.** If installation requires adjustment of the gauge for proper reading of the face, turn the gauge no more than 1/2 turn in either direction. O-rings in the bottom of the gauge port will allow this without leakage.

Warranty does not include malfunction due to clogged valve. Main air port is filtered with the supplied 80 – 100 micron integral-in-barb filter (except for the PXP2.3LG model). Periodically check the filter for contamination and flow reduction. Replace if needed (Part # PN004).

The surface between the manifold and pressure transducer is a pressure seal. Minimize stress between the circuit board and the manifold by holding the manifold in one hand while installing pneumatic tubing onto the fittings, and use care when removing tubing to avoid damaging fittings or moving manifold.

This unit requires at least two cubic inches (minimum) of branch air line capacity to operate without oscillation. Do not operate without main air supplied.

Field calibration voids warranty.

CHECKOUT

Select one of the four input signal combinations by moving the jumper shunt as shown in "Input Signal Selector".

Verify the MAN/AUTO jumper shunts are in the AUTO position (jumper over center pin and AUTO pin). In AUTO, the manual override pot is inactive and the analog input signal is supplying the set-point. When in the MAN position, the manual override pot is supplying the set point and the analog input signal is locked out. Use a small bladed screwdriver to increase or decrease the pneumatic output.

Supply power and the LED power indicator will light, but only measurement will verify proper voltage. Apply minimum and maximum input signals and measure response. Response between the minimum and maximum values will be linear, therefore software algorithms are easy to derive.

The feedback signal range on all selections is 0 to 5 VDC and is proportional to the output pressure range of 0 – 15 psig.

The output and feedback signal will continue to vary proportionally if the input signal is increased beyond its upper limit (if there is enough main air available). However, do not exceed the listed maximum input signal voltage by more than 25%.

The PXP2.3 incorporates two valves and is not a constant bleed controller. Its branch exhaust flow and response time is not limited by any internal restrictor and is similar to its load rate. The PXP2.3 is ideal for long branch line runs, multiple actuators, and outside air dampers because of its 750 scim capacity.

Note: If power to the PXP2.3 is lost, it will maintain branch line pressure (assuming no branch line leaks). If power to the PXP2.3FS (Fail-Safe) is lost, the branch line control valve will open and branch line pressure will go to 0 psig.

EU Commission Directive 2002/95/EC (RoHS) Compliant

Power Supply Voltage:	Air Supply:
24 VDC (+10%/-5%)	Main: Maximum 25 psig, minimum 18 psig
24 VAC (21.6 to 26.4 VAC) at PXP2.3 terminals	Output: 0 – 15 psig
	Air Flow @ 20 psig main/15 psig Out:
	PXP2.3 / PXP2.3FS – 750 scim
	PXP2.3LG – 1400scim
Supply Current:	Exhaust Rate:
160 mA max. (200 mA max. FS model)	PXP2.3 – 750 scim
	PXP2.3FS – 800 scim
	PXP2.3LG – 1400 scim
Feedback Signal Output:	Accuracy:
Factory Calibrated	1% full range at room temperature,
0 – 5 VDC = 0 – 15 psig	2% at full range of operating temperature