

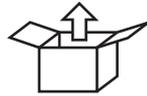
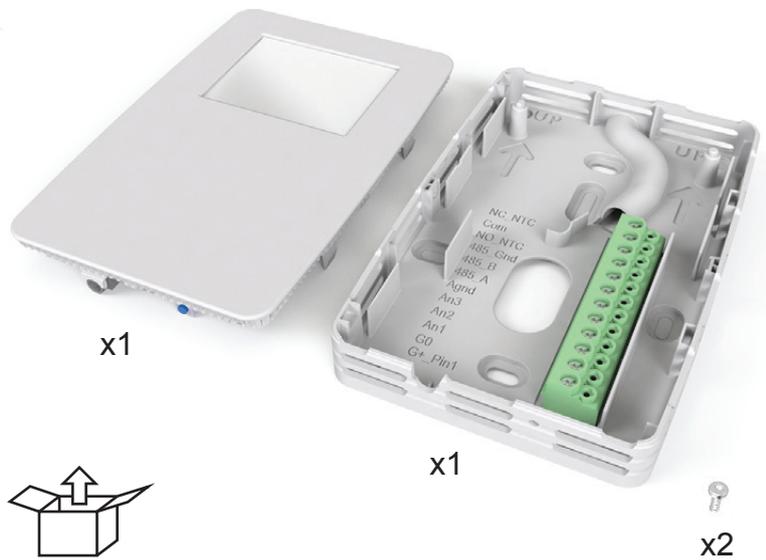
Installation manual

# tSENSE (Disp) T RH RL

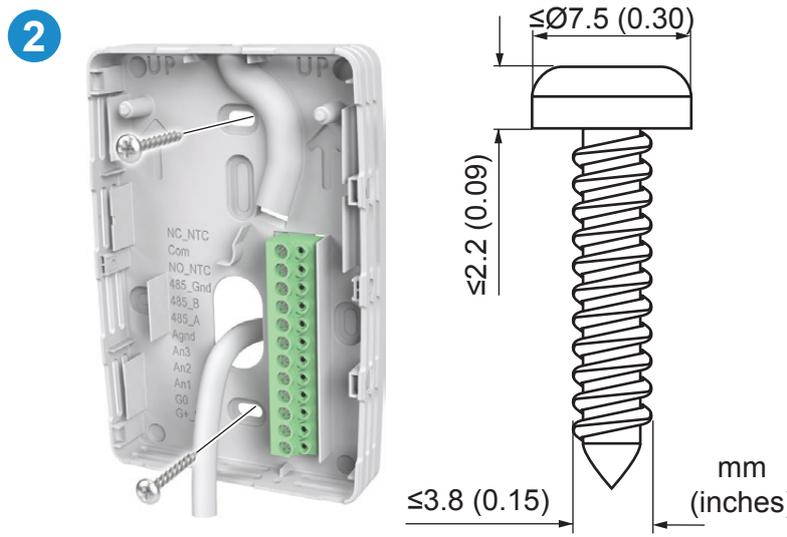
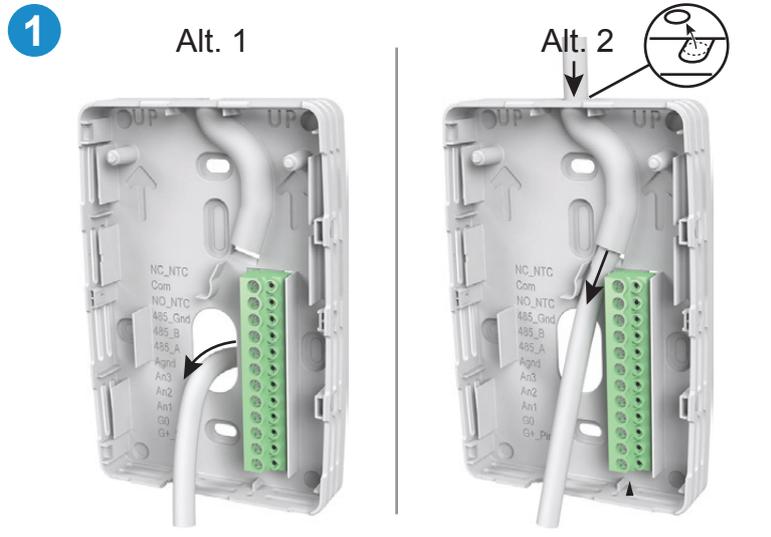
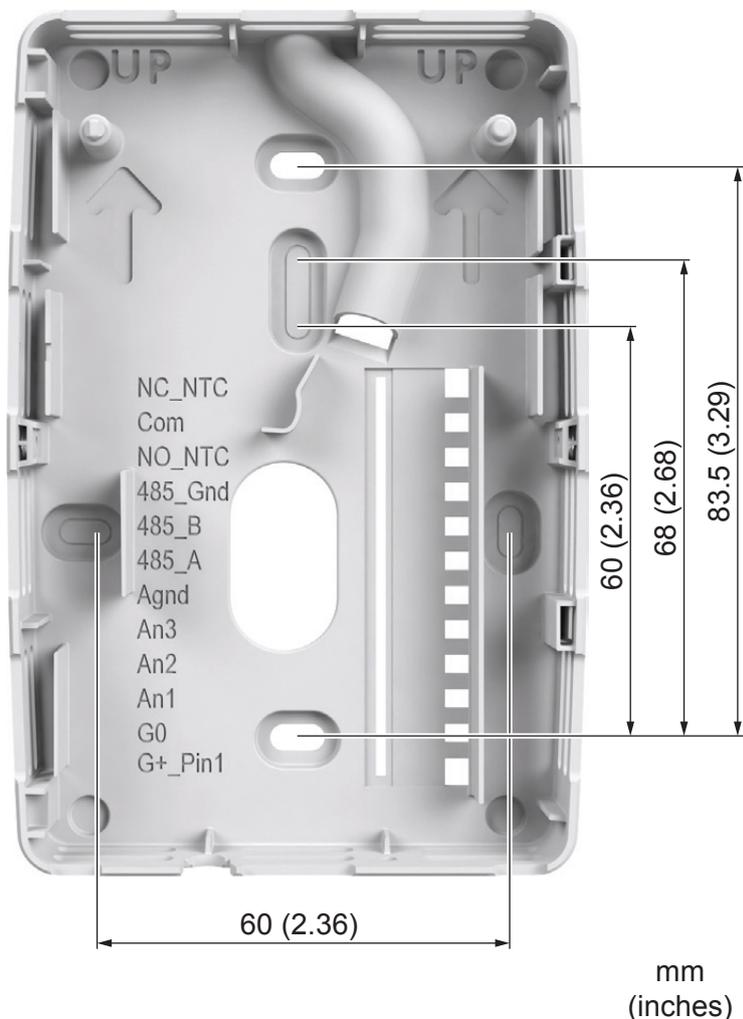
CO<sub>2</sub>-, temperature- and relative humidity transmitter



User manual



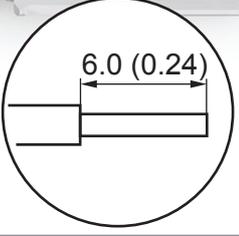
**NOTE:**  
The same ground reference has to be used for the *tSENSE (Disp)* unit and for the control system!



3

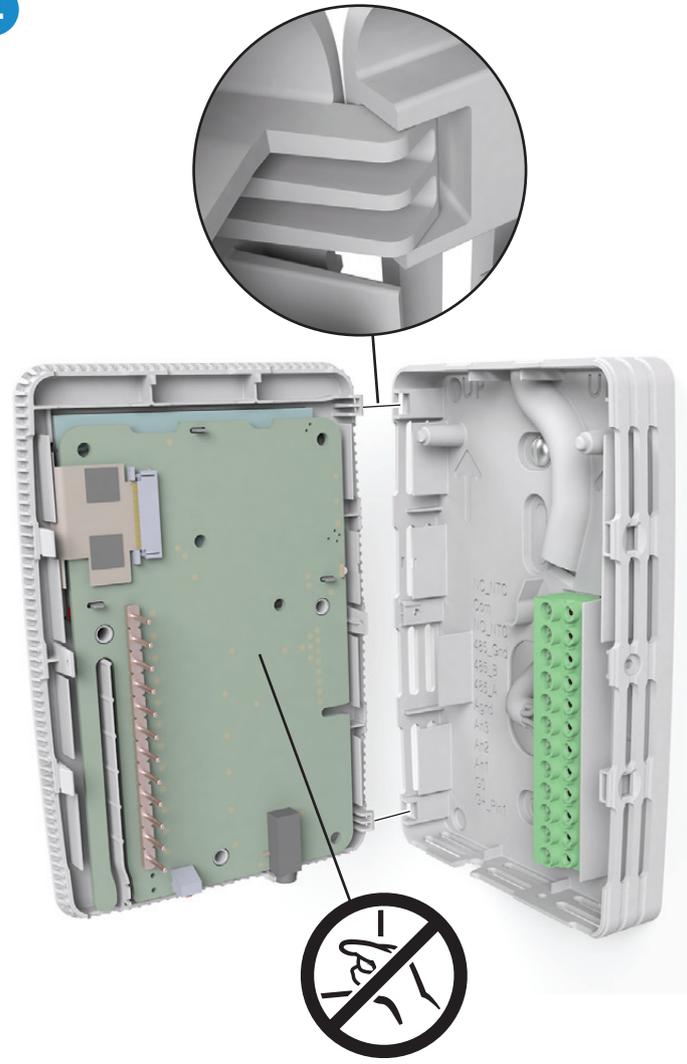


RL/NC\_NTC (Temp)  
 RL/Com  
 RL/NO\_NTC (Temp)  
 RS485\_Gnd/MB/BAC  
 RS485\_B (-)/MB/BAC  
 RS485\_A (+)/MB/BAC

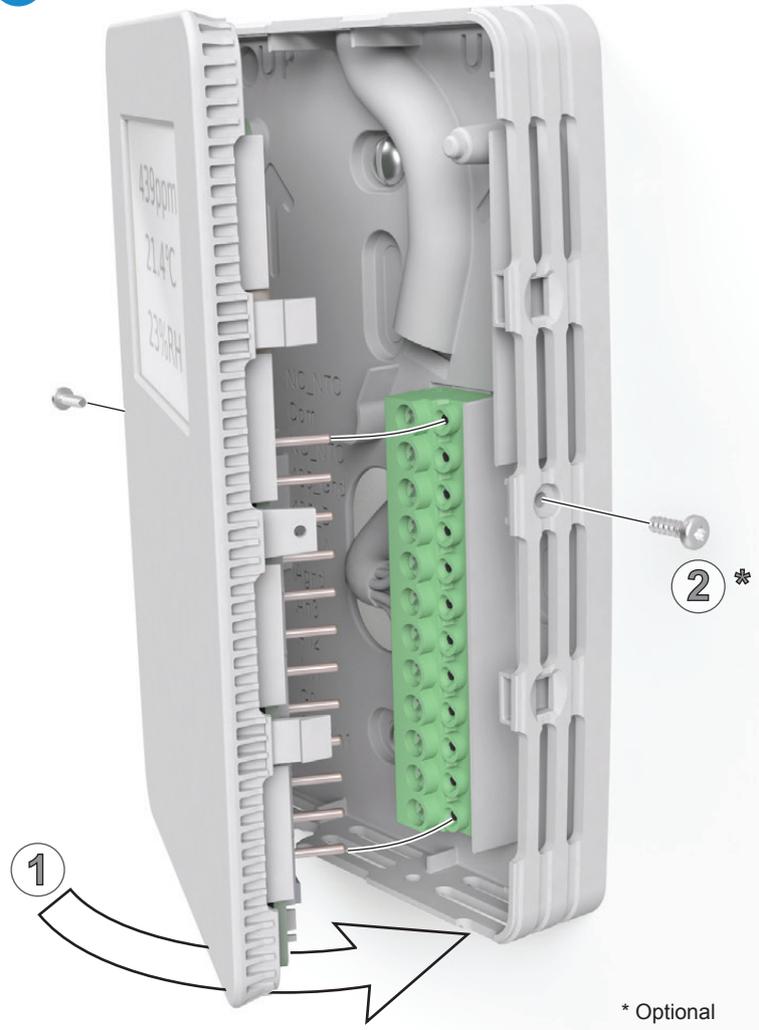


mm  
(inches)

4

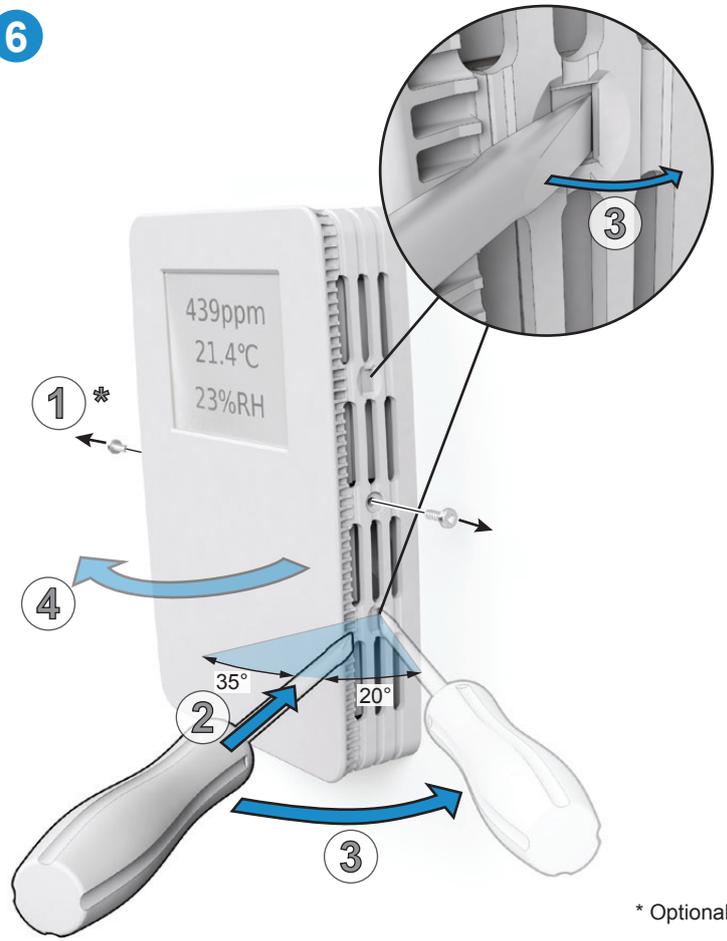


5



\* Optional

6



\* Optional