

**End View:**

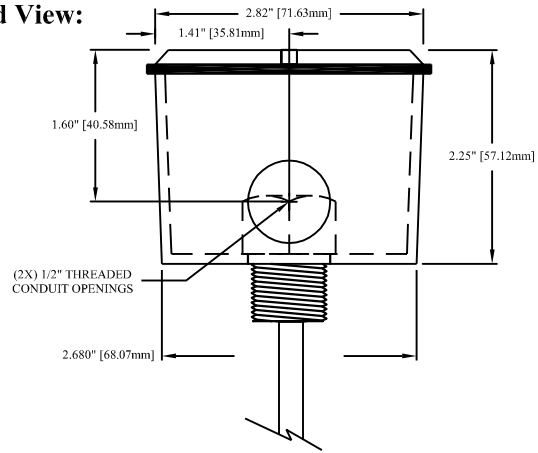
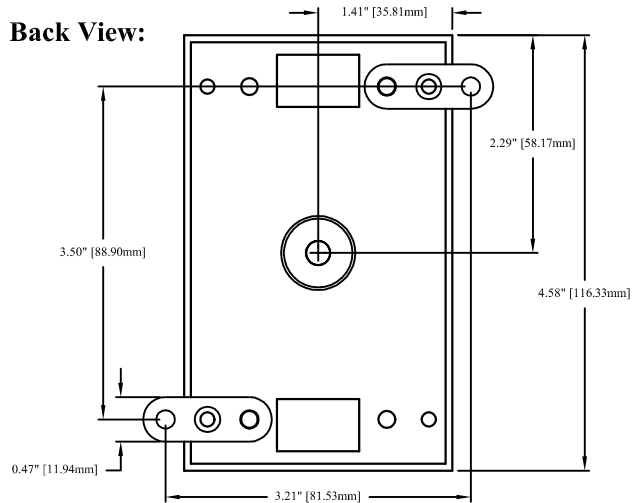


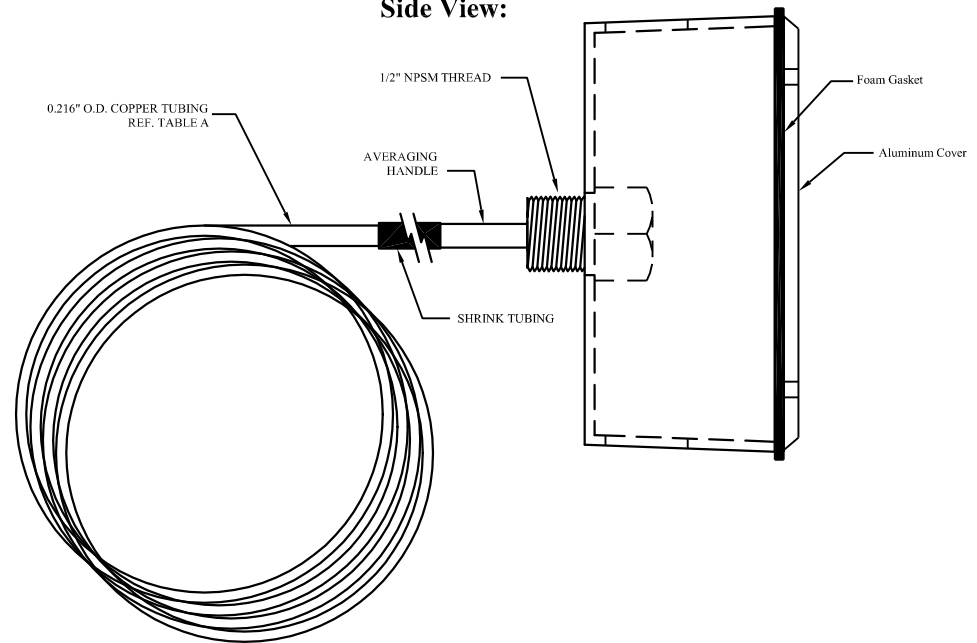
TABLE A

Standard Copper Averaging Lengths	Ref A (Insertion Length)
8'	8.0' ± 5.0"
12'	12.0' ± 5.0"
24'	24.0' ± 5.0"

**Back View:**



**Side View:**



TOLERANCE: (UNLESS NOTED)  
 3 PLACE DECIMAL = ±0.010  
 2 PLACE DECIMAL = ±0.130  
 1 PLACE DECIMAL = ±0.300  
 ALL DIMENSIONS IN in[mm].  
 DRAWING NOT TO SCALE.

**WARNING!**  
 CONFIDENTIAL  
 INFORMATION--  
 PROPERTY OF ACI.  
 UNAUTHORIZED USE  
 STRICTLY FORBIDDEN.



**DRAWING NUMBER**  
 M0000060

DATE	DESCRIPTION	DRAWN BY	APPROVED BY	DRAWING NUMBER	REV
3-6-08	COPPER AVERAGING TEMP w/ BELL BOX	DJK	TJD	M0000060	2