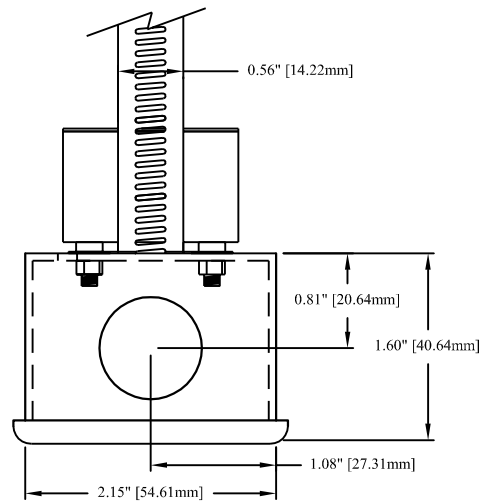
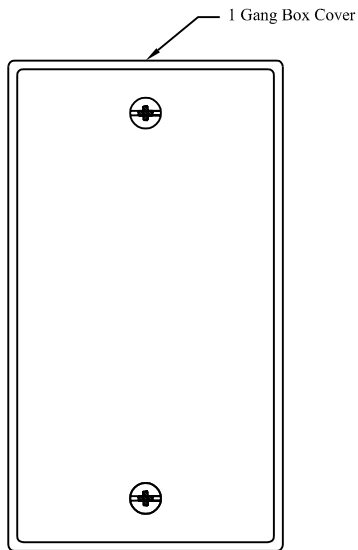


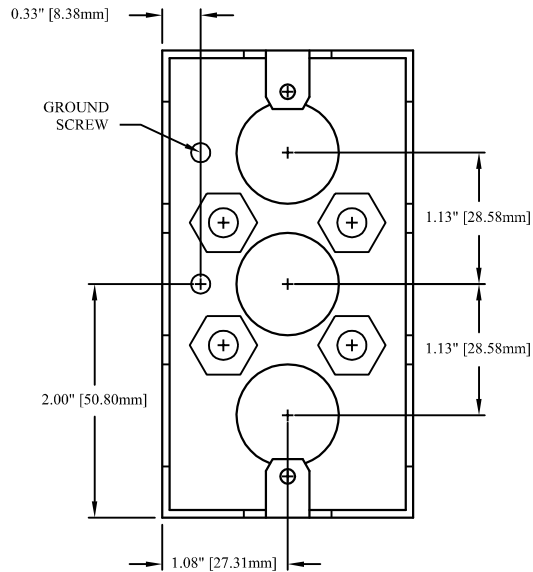
End View:



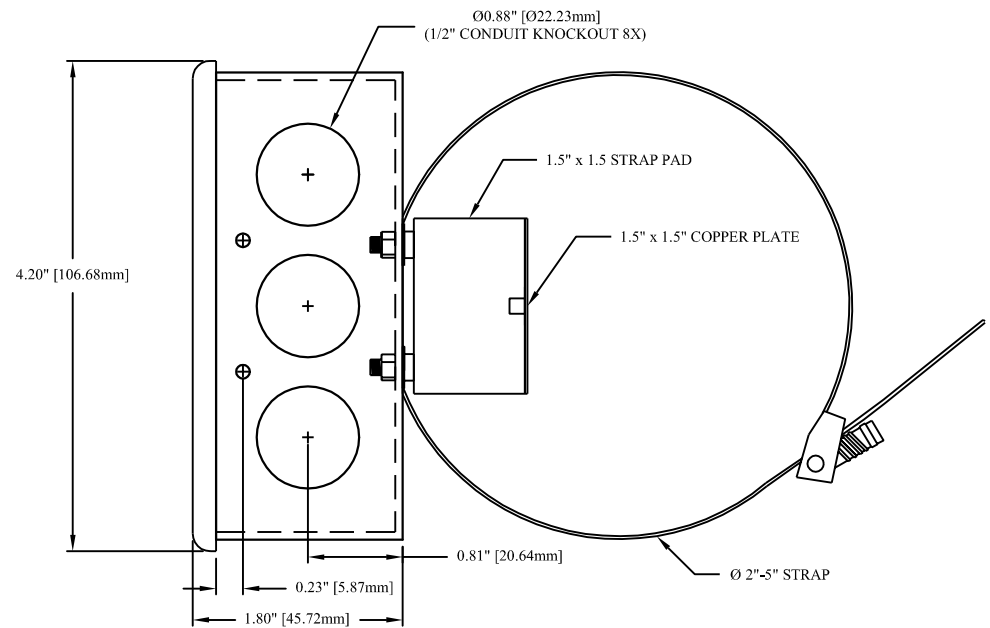
Cover:



Front, No Cover:



Side View:



<p>TOLERANCE: (UNLESS NOTED)                  3 PLACE DECIMAL = ±0.010                  2 PLACE DECIMAL = ±0.130                  1 PLACE DECIMAL = ±0.300                  ALL DIMENSIONS IN in[mm].                  DRAWING NOT TO SCALE.</p>		<p>WARNING!                  CONFIDENTIAL                  INFORMATION--                  PROPERTY OF ACI.                  UNAUTHORIZED USE                  STRICTLY FORBIDDEN.</p>		<p><b>ACI</b>                  Automation Components, Inc.</p>		<p>DRAWING NUMBER                  M0000035</p>	
DATE	DESCRIPTION	DRAWN BY	APPROVED BY			DRAWING NUMBER	REV
3-10-08	STRAP-ON TEMP w/ GALVANIZED J-BOX	DJK	TJD	M0000035	2		