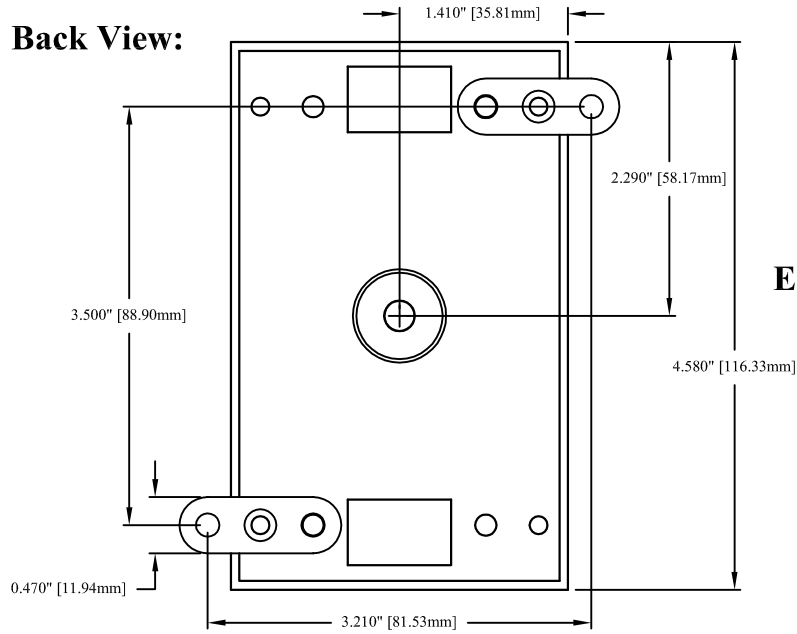
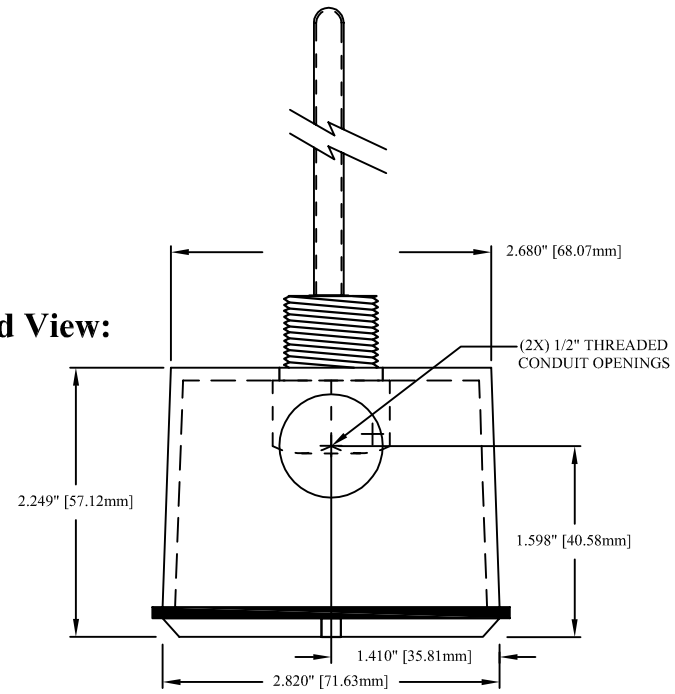


Back View:



End View:



Side View:

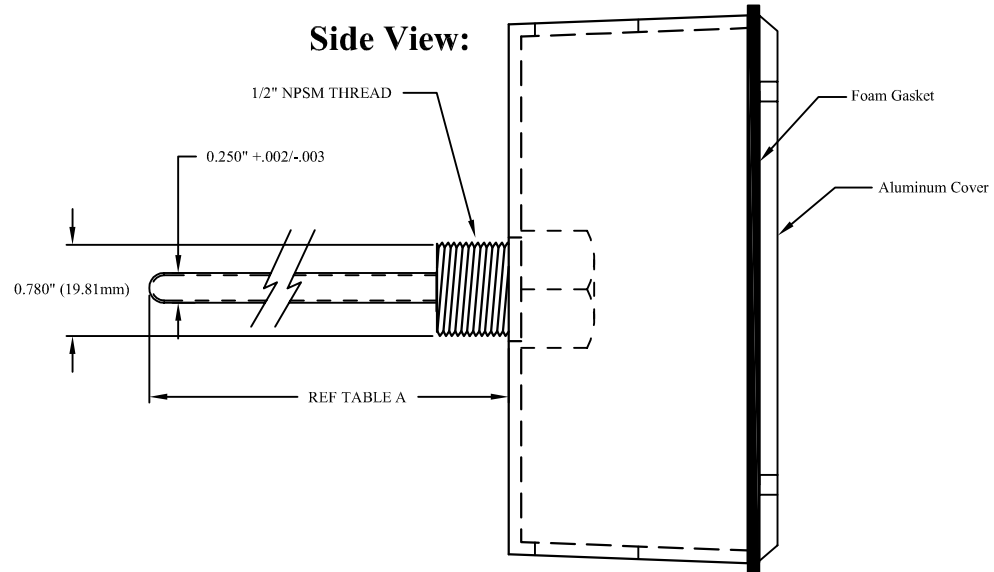


TABLE A

Part Number	Probe Length	Ref A (Insertion Length)
A/xx-D-2"-BB	2"	1.63" ± 0.13"
A/xx-D-4"-BB	4"	3.63" ± 0.13"
A/xx-D-6"-BB	6"	5.63" ± 0.13"
A/xx-D-8"-BB	8"	7.63" ± 0.13"
A/xx-D-12"-BB	12"	11.63" ± 0.25"
A/xx-D-18"-BB	18"	17.63" ± 0.25"

Note: "xx" = Sensor Type

TOLERANCE: (UNLESS NOTED)
 3 PLACE DECIMAL = ±0.010
 2 PLACE DECIMAL = ±0.130
 1 PLACE DECIMAL = ±0.300
 ALL DIMENSIONS IN in[mm].
 DRAWING NOT TO SCALE.

WARNING!
 CONFIDENTIAL
 INFORMATION--
 PROPERTY OF ACI.
 UNAUTHORIZED USE
 STRICTLY FORBIDDEN.

ACI
 Automation Components, Inc.

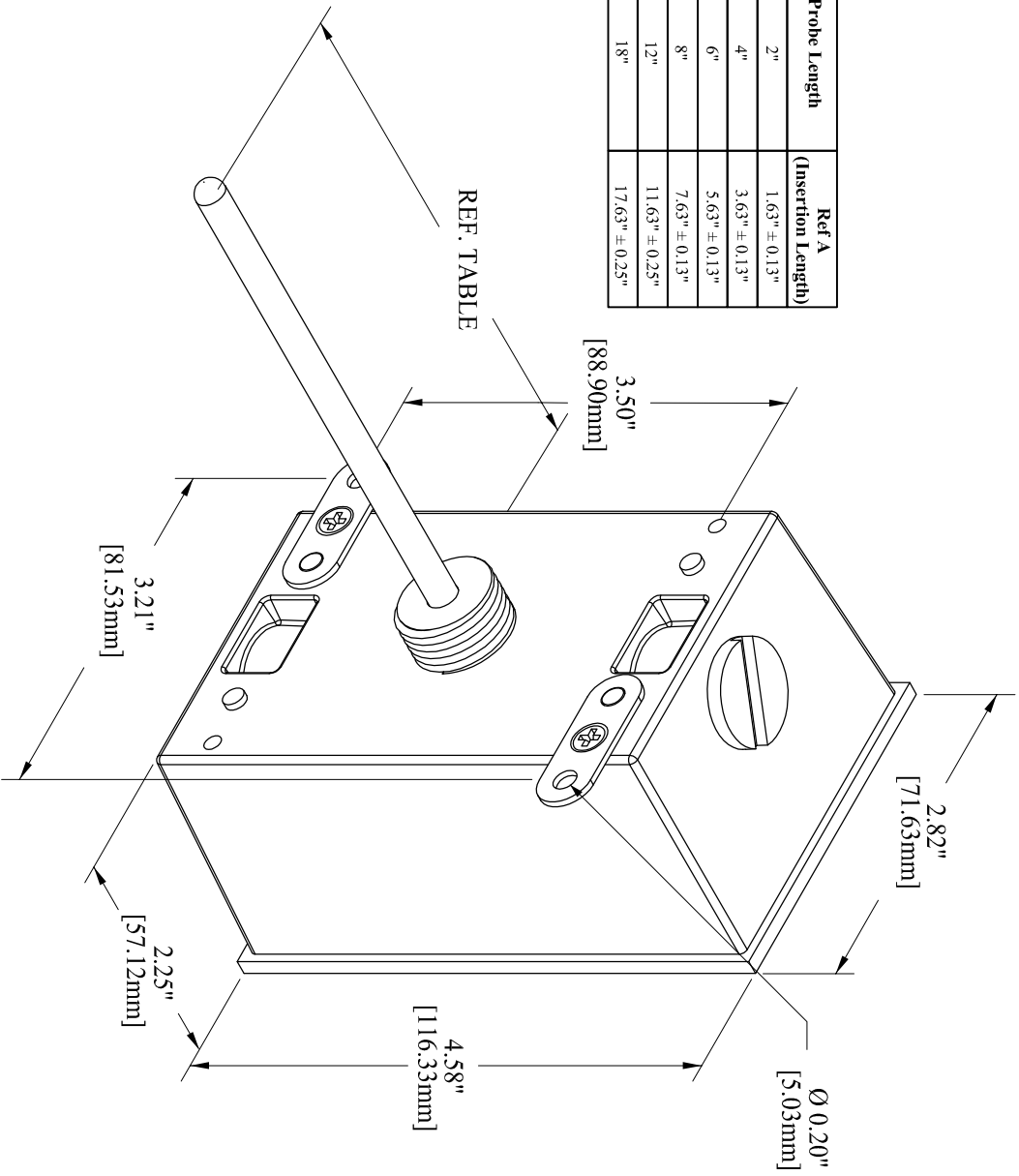
DRAWING NUMBER
 M0000001

DATE	DESCRIPTION	DRAWN BY	APPROVED BY	DRAWING NUMBER	REV
02-12-13	DUCT TEMP. w/BELL BOX	TJD	TJD	M0000001	5

TABLE A

Part Number	Probe Length	Ref A (Insertion Length)
A/xx-D-2"-BB	2"	1.63" ± 0.13"
A/xx-D-4"-BB	4"	3.63" ± 0.13"
A/xx-D-6"-BB	6"	5.63" ± 0.13"
A/xx-D-8"-BB	8"	7.63" ± 0.13"
A/xx-D-12"-BB	12"	11.63" ± 0.25"
A/xx-D-18"-BB	18"	17.63" ± 0.25"

Note: "xx" = Sensor Type



TOLERANCE: (UNLESS NOTED)

3 PLACE DECIMAL = ±0.010
 2 PLACE DECIMAL = ±0.130
 1 PLACE DECIMAL = ±0.300
 ALL DIMENSIONS IN IN [mm].
 DRAWING NOT TO SCALE.

WARNING!
 CONFIDENTIAL
 INFORMATION--
 PROPERTY OF ACT.
 UNAUTHORIZED USE
 STRICTLY FORBIDDEN.



DRAWING NUMBER
 M0000001

DATE	DESCRIPTION	DRAWN BY	APPROVED BY	DRAWING NUMBER	REV
02-12-13	DUCT TEMP. w/BELL BOX	TJD	TJD	M0000001	5