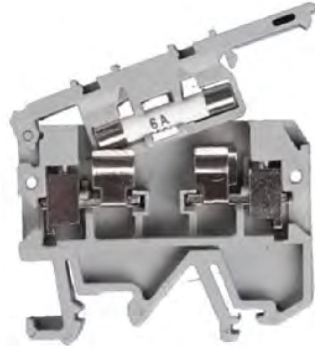


The ASI fuse terminal blocks accept the popular 5 x 20 mm fuse found in many control circuit applications. The fuse terminal blocks can be ordered either with or without blown fuse indication, a very convenient feature for troubleshooting. Either lever actuated or screw types of fuse holders are available. The 24 volt LED version provides a visual indication when the fuse is blown thereby reducing the time to locate and replace a fuse and get your system back up and running.



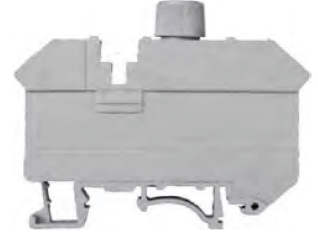
Terminal Width 8mm

ASIASK1



Terminal Width 8.2mm

ASIUK5HESI



Terminal Width 12.2mm

ASIUK10DREHSI

Specifications		Terminal Width 8mm		Terminal Width 8.2mm		Terminal Width 12.2mm	
Wire range, AWG		30-12		30-10		24-6	
Current Rating		12		12		12	
Voltage Rating		600		600		600	
Dimensions (L x H) mm		58.5 x 43.5		72.5 x 56.5		61 x 58.5	
Ordering Information		Order #	Pcs/ Pkg	Order #	Pcs/ Pkg	Order #	Pcs/ Pkg
Terminal Block	Without Indication	ASIASK1	50	ASIUK5HESI	50	ASIUK10DREHSI	50
	With 24volt LED			ASIUK5HESILED24	50	ASIUK10DREHSILED24	50
	With 120volt LED			ASIUK5HESILA250	50		
Accessories							
End cover		ASIAP1.5	25				
Circuit Bridges							
Internal	10 position					ASIFBI1012	10
With Screws							
External							
	2 position	ASIEB28	25	ASIEB28	25		
	3 position	ASIEB38	25	ASIEB38	25		
	10 position	ASIEB108	10	ASIEB108	10	ASIFBI1012	10
TB Markers							
Blank				AZIZB810B	10	ASIZB1010B	10
Pre-printed 1-10 vert				ASIZB81010V	10	ASIZB101010V	10
Pre-printed 1-10 horz				ASIZB81010H	10	ASIZB101010H	10
Custom				ASIZB8C...	...	ASIZB10C.....	...
End Stop (snap-on)		ASIUD1B	25	ASIUD1B	25		
Black							
DIN Rail (2 meters)							
7.5 x 35mm slotted		PR005	1	PR005	1	PR005	1
7.5 x 35mm non-slotted		PR003	1	PR003	1	PR003	1
15 x 35mm slotted		PR006	1	PR006	1	PR006	1
15 x 35mm non-slotted		PR007	1	PR007	1	PR007	1