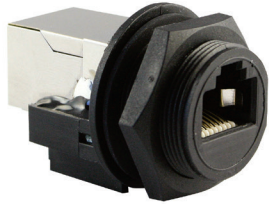


## RJ45 Female Panel Mount Straight

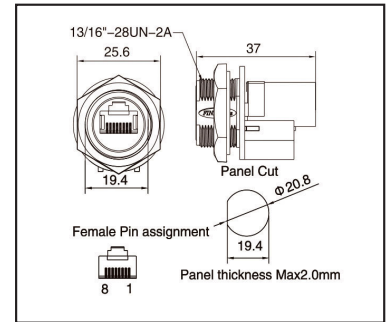
Part No.: ASICPICRJ45S



- Connector series: RJ45
- Gender: Female
- Locking type: Fix screw
- Mounting type: Front mount
- Shielded

### General Information

Ambient temperature:	-20 °C ~ + 80 °C
Connector insert:	PBT+GF
Connector contacts:	Phosphor bronze with gold plated
Coupling nut/screw:	PA+GF
Seal / O-ring:	FKM
Insulation resistance:	≥ 100MΩ
Forward resistance :	≤ 30mΩ
IP rating:	IP 67, NEMA 6, 6P (with cap)



### Electrical Data & Mechanical Data

Contacts	Rated current	Voltage	
		A/C	D/C
RJ45 8P8C female	1.5A	125V	125V

## RJ45 Female Panel Mount Right Angle

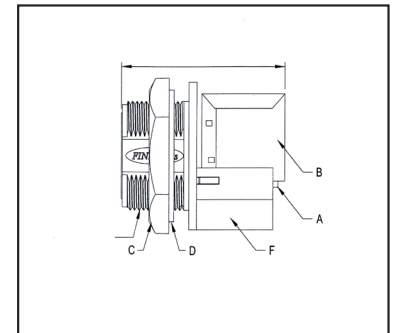
Part No.: ASICPICRJ45RA



- Connector series: RJ45
- Gender: Female
- Locking type: Fix screw
- Mounting type: Front mount
- Shielded

### General Information

Ambient temperature:	-20 °C ~ + 80 °C
Connector insert:	PBT+GF
Connector contacts:	Phosphor bronze with gold plated
Coupling nut/screw:	PA+GF
Seal / O-ring:	FKM
Insulation resistance:	≥ 100MΩ
Forward resistance :	≤ 30mΩ
IP rating:	IP 67, NEMA 6, 6P (with cap)



## USB2.0 Female Panel Mount

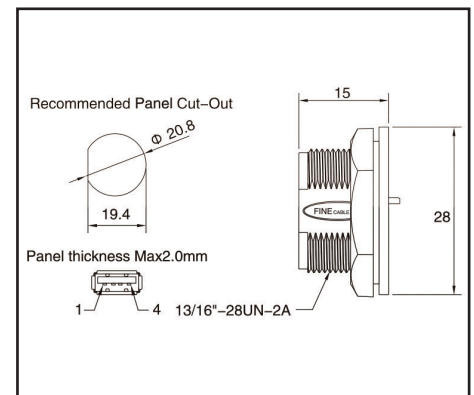
Part No.: ASICPICUSB2.0AS



- Connector series: USB 2.0
- Gender: Female
- Locking type: Fix screw
- Mounting type: Front mount
- Shielded
- Pigtail connection available upon request for MOQ of 100 units or more.

### General Information

Ambient temperature:	-20 °C ~ + 80 °C
Connector insert:	PBT+GF
Connector contacts:	Phosphor bronze with gold plated
Connector body:	PA+GF
Coupling nut/screw:	PA+GF
Seal-ring:	FKM
Insulation resistance:	≥ 100MΩ
Forward resistance :	≤ 30mΩ
IP rating:	IP 67, NEMA 6, 6P (with cap)



### Electrical Data & Mechanical Data

Contacts	Contacts	Rated current	Voltage	
			A/C	D/C
USB2.0 A Type female	Solder version	1.5A	30V	30V

## USB/RJ45 Protection Cap

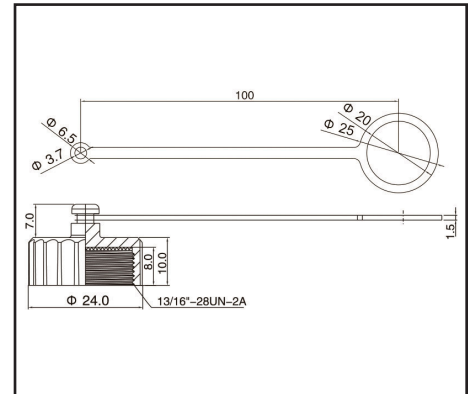
Part No.: ASICPICPC



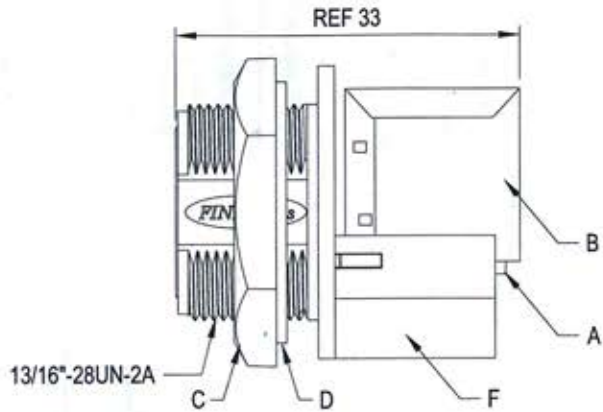
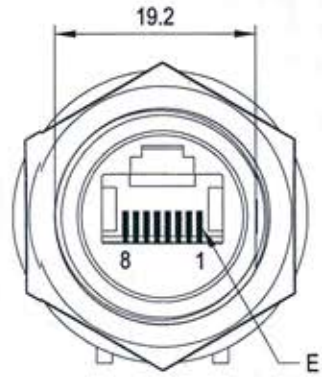
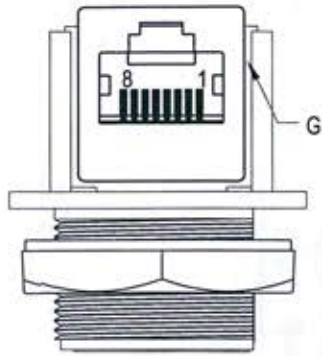
- Connector series: USB/RJ45
- Locking type: Quick lock

### ■ General Information

Material:	PA+GF
O-ring:	FKM
Loop:	TPU
Color:	Black

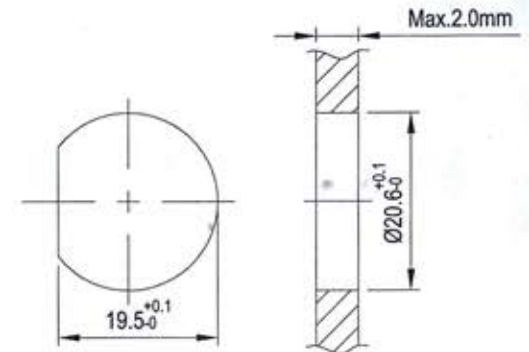


Date	Description	Revision	ECN NO.
Aug.26,2019	First release	A / 0	---



Wirelist

1	1
2	2
3	3
4	4
5	5
6	6
7	7
8	8



Panel cut-out

All rights reserved by Dongguan Finecables Co., Ltd.

No.	Materials.No	Name	Description	Unit	Qty
G		Resin	Black epoxy resin	g	3
F		Hous.	RJ45 8P8C female housing	pcs	1
E		Hous.	RJ45 female housing with termianl	pcs	1
D		Gasket	Black rubber gasket	pcs	1
C		Nut	13/16"-28UN-2A hex nut	pcs	1
B		Conn.	RJ45 8P8C female connector	pcs	1
A		PCB	RJ45 8P8C female PCB	pcs	1



**FINECABLES CO., LTD**

File No.	A1144-CP-T0017	Cus' P/N	RJ45S-WF08STSP-RA	Name		
No specified tolerance		Approved	<i>[Signature]</i>	Unit	mm	
Linear	0.5-6	±0.1	Checked	Scale	---	
	>6-30	±0.2		Drawing	Page	1 / 1
	>30	±2%				
Angles	±3°					

