



## Control Series: Twist Latch Hinged Cover

### APPLICATION

- Designed to insulate and house electrical and electronic controls, instruments or components for indoor and outdoor applications
- Especially well suited for high temperature or corrosive environments
- Protects from dirt, dust, oil and water

### STANDARDS

- UL Types 1, 2, 3, 4, 4X, 12, and 13
- CSA Types 1, 2, 3, 3R, 4, 4X, 12 and 13
- NEMA Types 1, 2, 3, 3R, 4, 4X, 12 and 13
- IEC 60529 Type IP66
- Compliant with RoHS directive (Restriction of Hazardous Substances)

### CONSTRUCTION

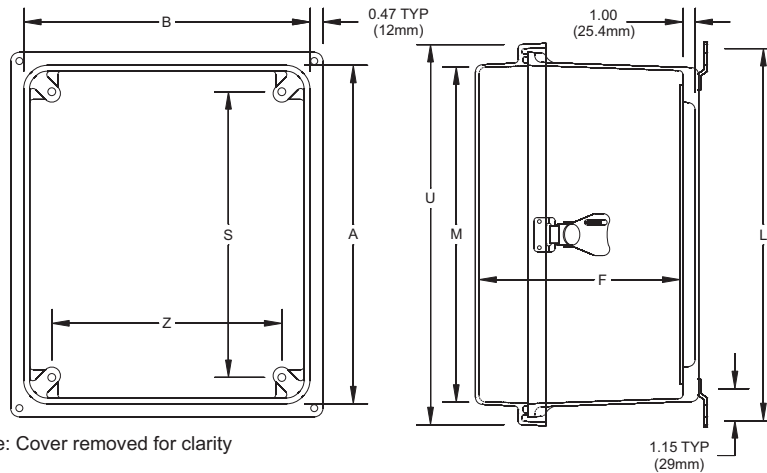
- Strong, molded Ultraguard® fiberglass reinforced polyester material construction with matching raised cover
- Full panel access
- All usable panel space
- 304 stainless steel twist latches feature padlock hasp
- Continuous stainless steel hinge
- Closed-cell neoprene gasket encased in a continuous channel
- 304 stainless steel wall mounting feet with 3/8-16 stainless steel screws included
- 3/8-16 threaded inserts are installed for optional back panel
- Ultraguard® fiberglass material is easily punched, drilled or sawed
- UV stabilized for outdoor use

### ACCESSORIES

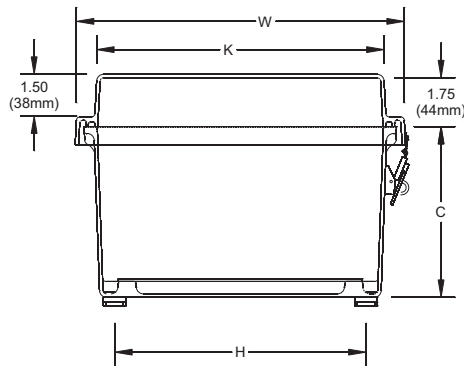
- Optional back panels (See table on pages 100-101.)
- Optional deadfront panel (See table on pages 100-101.)
- Optional thermal management products (See pages 102-103.)

### MODIFICATIONS

- Custom size holes and cutouts
- Custom size polycarbonate viewing windows
- Molded-in color matches
- EMI/RFI shielding
- Factory-supplied silk screening



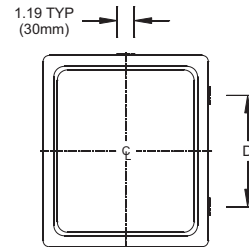
Note: Cover removed for clarity



Nominal 1/8" (3mm) wall thickness

LATCH LOCATIONS

- For use on:
- 24x20x8 D=16.00 (406mm)
  - 24x24x8 D=16.00 (406mm)
  - 30x24x8 D=19.98 (507mm)
  - 24x20x10 D=16.00 (406mm)
  - 24x24x10 D=16.00 (406mm)
  - 30x24x10 D=19.98 (507mm)



Part No.	Box Size			Usable Depth	Panel Boss Centers			Foot Mount Centers		Cover Size			
	A	B	C		F	S	Z	H	L	K	M	U	W
AM24208RT	24.00 610mm	20.00 508mm	8.13 207mm	8.56 217mm	19.25 489mm	15.25 387mm	18.75 476mm	26.85 682mm	20.16 512mm	24.16 614mm	25.59 650mm	21.59 548mm	
AM24248RT	24.00 610mm	24.00 610mm	8.13 207mm	8.56 217mm	19.25 489mm	19.25 489mm	22.75 578mm	26.85 682mm	24.16 614mm	24.16 614mm	25.59 650mm	25.59 650mm	
AM30248RT	30.00 762mm	24.00 610mm	8.13 207mm	8.56 217mm	25.25 641mm	19.25 489mm	22.75 578mm	32.85 834mm	24.16 614mm	30.16 766mm	31.59 802mm	25.59 650mm	
AM24200RT	24.00 610mm	20.00 508mm	10.13 257mm	10.56 268mm	19.25 489mm	15.25 387mm	18.75 476mm	26.85 682mm	20.16 512mm	24.16 614mm	25.59 650mm	21.59 548mm	
AM24240RT	24.00 610mm	24.00 610mm	10.13 257mm	10.56 268mm	19.25 489mm	19.25 489mm	22.75 578mm	26.85 682mm	24.16 614mm	24.16 614mm	25.59 650mm	25.59 650mm	
AM30240RT	30.00 762mm	24.00 610mm	10.13 257mm	10.56 268mm	25.25 641mm	19.25 489mm	22.75 578mm	32.85 834mm	24.16 614mm	30.16 766mm	31.59 802mm	25.59 650mm	

All dimensions are in inches unless otherwise noted.



Order Today: 419-636-4217, Fax: 419-636-2450, e-mail: sales@alliedmoulded.com

CONTROL SERIES