

AHL and EHL Incandescent Factory Sealed Luminaires and Handlamps

Explosionproof

Suitable for use in Wet Locations.

NEC/CEC – AHL:
Class I, Division 1 and 2, Groups C, D
Class II, Division 1 and 2, Groups F ①, G
Class III

NEC/CEC – EHL:
Class I, Division 1 and 2, Groups C, D

Applications

- AHL general purpose explosionproof lighting fixture – an A-51 fixture with handle assembly of hook and cable clamp.
CAUTION: For safe operation, the AHL fixture weight must be supported by the hanger hook, not by the flexible cord, per the National Electrical Code.
- EHL general purpose explosionproof portable handlamp. Only 127 mm (5 in) in diameter for ease of movement.

Features:

- AHL and EHL
 - Equipped with connection block for ease of wiring and relamping.
 - Cable clamp diameters: AHL – 9.5 mm to 15.9 mm (.375 in to .625 in); EHL – 10.3 mm (.406 in) for 16-3 AWG.
 - Heat- and impact-resistant glass globes.
- AHL
 - Sturdy fixture with rugged hanging hook.
 - Safety grounding – additional terminal furnished to connect to grounding conductor.
- EHL
 - Portability, with phenolic handle and non-sparking guard with hook.
 - Easy relamping – loosen setscrew, unscrew guard, remove globe and insert lamp.
 - Safety grounding – remove cable and clamp and make connections to terminal (including one ground terminal) then tighten clamp.

Standard Materials

- Globes: heat-and impact-resistant glass
- AHL fixture unit, hook and guard: copperfree aluminum
- AHL cable clamp: brass
- EHL fixture body and handle: laminated phenolic
- EHL handle: laminated phenolic
- EHL hook: brass
- EHL guard: copperfree aluminum

Standard Finishes

- AHL fixture unit, guard, handle and hook: two-coat epoxy enamel
- AHL cable clamp: natural finish
- EHL fixture body: laminated phenolic
- EHL handle: phenolic
- EHL guard and hook: guard – natural finish; hook – zinc electroplate and clear chromate
- EHL cable clamp: laminated phenolic

NEC/CEC Certifications and Compliances

- UL Standard: UL 1598, UL 844
- EHL UL Listed: E59147
- CSA Certification: LR25428

Related Products

- The EHL handlamp may be used with AE Automatic Take-Up Reelites listed in the *Specialty Products* section and ECC Cord Connector and Plugs and Receptacles in the *Plug and Receptacles* section.



AHL



EHL

INCANDESCENT/PORTABLE: NEC/CEC EXPLOSIONPROOF

Appleton®

① To reduce the risk of ignition of hazardous atmospheres, do not use where electrically conductive dusts are present (most coal dusts are not electrically conductive).




AHL and EHL Incandescent Factory Sealed Luminaires and Handlamps

Explosionproof

Suitable for use in Wet Locations.

NEC/CEC – AHL:
Class I, Division 1 and 2, Groups C, D
Class II, Division 1 and 2, Groups F ①, G
Class III

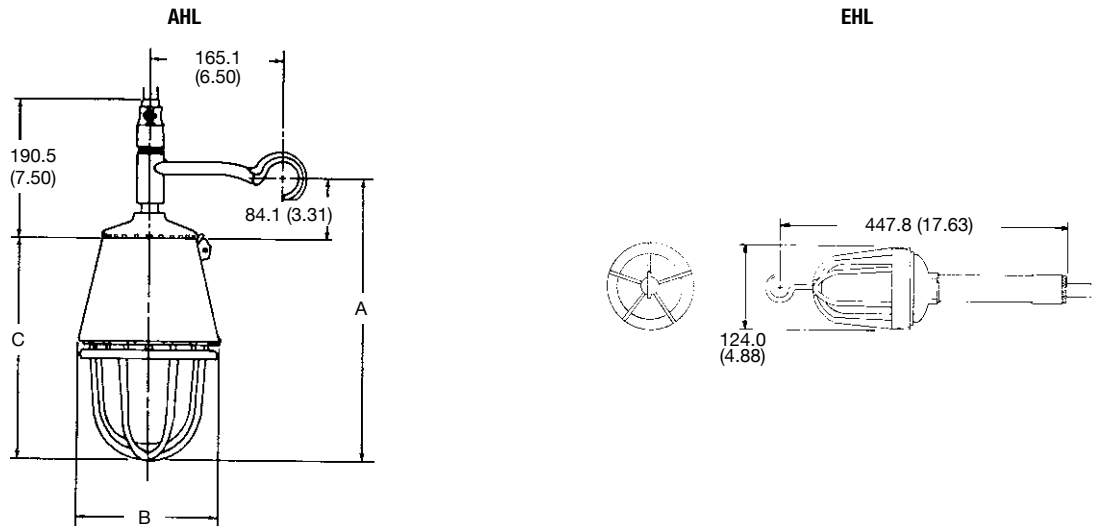
NEC/CEC – EHL:
Class I, Division 1 and 2, Groups C, D

Description	Cable Diameter Millimeters (Inches)	"T" Ratings	Catalog Number	
AHL – Explosionproof 60 - 300 W Lighting Fixtures				
<i>CAUTION: For safe operation, weight of fixture must be supported by hanger hook, not by the flexible cord, per the National Electrical Code.</i>				
	60-100 W, A-21 (AAU-1N)	9.53 to 15.88 (.375 to .625)	T4	AHL100
	200-300 W, PS-30 (AAU-2NS)	9.53 to 15.88 (.375 to .625)	T4A	AHL200
EHL – Explosionproof 100 W Portable Handlamp ②				
	Laminated Phenolic Handle. Wiring Connection Block takes from #16 to #14 Wire.			
	100 W, A-21	10.26 (.406)	T3A	EHL100N
EHL Replacement Globe and Guard				
	Heat-resistant glass globe			XP419
	Aluminum guard with hook			XP163SA

INCANDESCENT/PORTABLE: NEC/CEC EXPLOSIONPROOF



Dimensions in Millimeters (Inches)



Catalog Number	A	B	C
AHL100	362.0 (14.25)	179.3 (7.06)	277.9 (10.94)
AHL200	404.9 (15.94)	223.8 (8.81)	320.8 (12.63)

① To reduce the risk of ignition of hazardous atmospheres, do not use where electrically conductive dusts are present (most coal dusts are not electrically conductive).
② Handlamp accommodates 16-3 SO cable. Contact your sales representative if 14-3 cable is required.