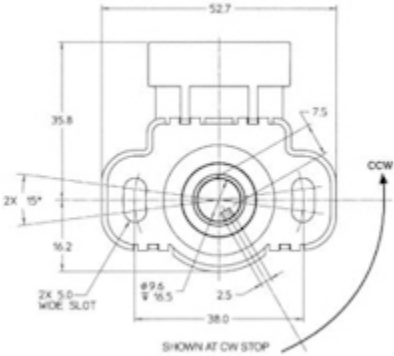


Part # 9862R5KL2.0, Rotary Potentiometer 9850 to 9860 Series

The 9850/9860 Series is a low profile rotary precision potentiometer featuring simple installation, long service life and repeatable accuracy. The sensor offers high reliability that can be easily integrated into a wide variety of space-conscious applications. Twelve standard models offer a choice of 180° or 120° mechanical rotation with round or slotted mounting holes for optimal installation alignment.



Specifications

Series Group	9850 to 9860
Series	9860
Sensor Element	Conductive Plastic
Active Electrical Travel	120 °
Termination Type	6-pin Metri Pack
Mounting	Slotted Hole
Spring Return	Counterclockwise
Mechanical Drive	Keyed
Mechanical Travel	85 °
Resistance	5.00 kΩ
Linearity	±2 %
Mechanical Life (Cycles)	1 million electrical; 5 million dither
Sealing	IP66/67
Number of Outputs	2