

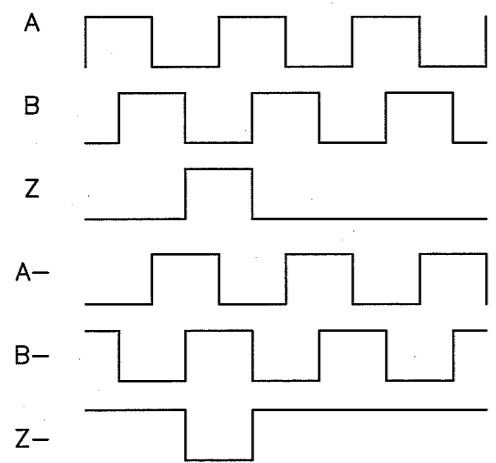
MODEL NUMBER: H25E-F45-SB-(COUNT)-ABZC-(VOLTAGE)-(SM18)-S
 (EM18) = END MOUNT CONNECTOR

SPECIAL FEATURE (-S):
 0.33 SHAFT PROTRUSION, ϕ .250 STEPPED SHAFT
 BEARING LUBE: ANDOC 'C' OR EQUIV.
 SPLIT HUB REMOVEABLE COUPLING PER UNICO 903-469
 QUADRATURE TOLERANCE $\pm 20^\circ$
 GLASS FILLED POLYSULPHONE (MINDEL 322) ADAPTER
 'DO NOT PAINT' AND 'PINOUT LABELS'
 OTHER SPECIFICATIONS PER STANDARD H25 SPECIFICATION
 924-02002-001

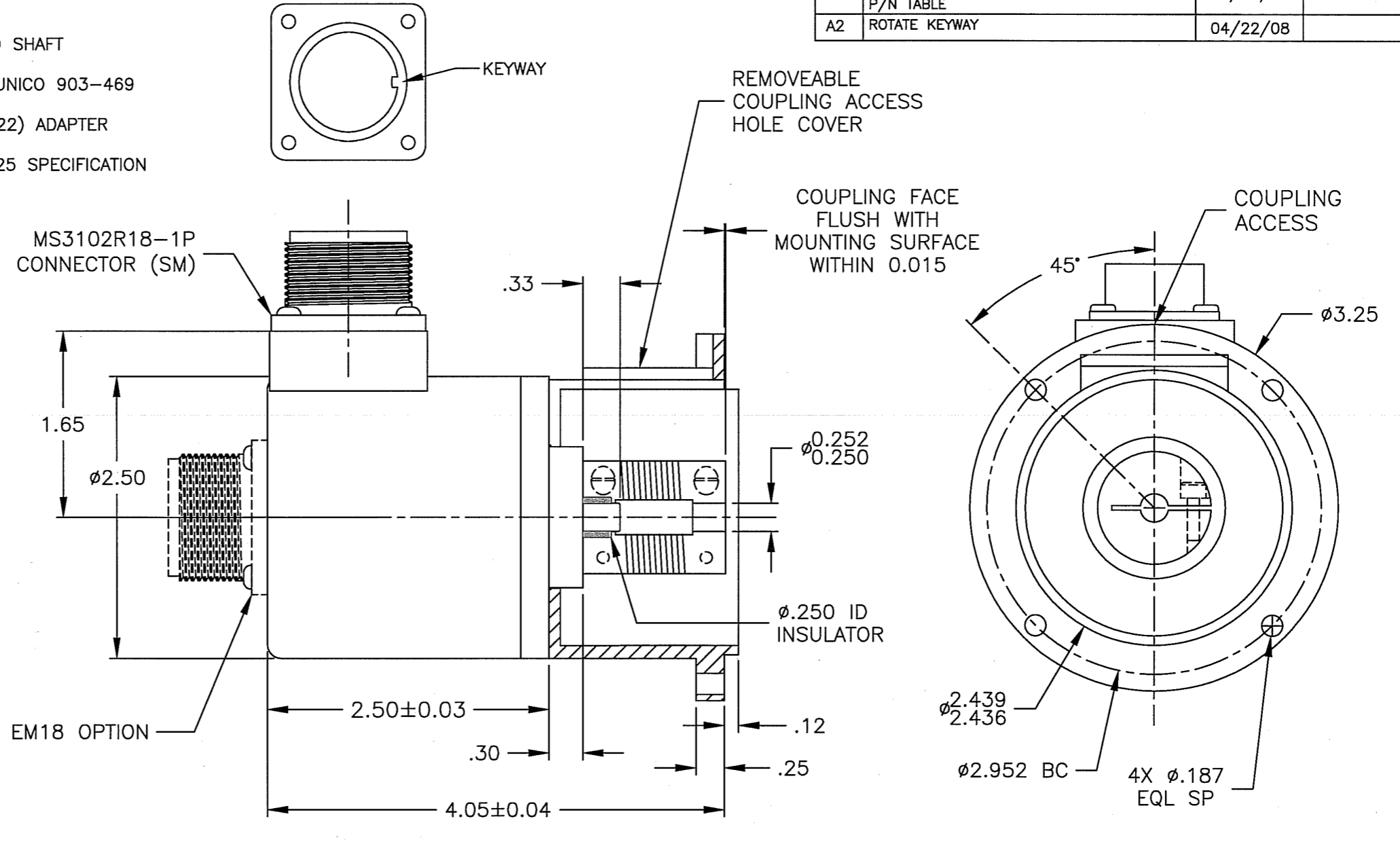
CONNECTOR OUTPUTS:

PIN	OUTPUT
A	A
B	B
C	Z
D	+VDC
E	N/C
F	0V
G	CASE GROUND
H	A-
I	B-
J	Z-

PHASING DIAGRAM:



SPINDLE ASSEMBLY: 13003-070-LG39
 COUPLING: 39057-001
 ADAPTER: 38248-001
 SIDE PLUG: 38247-001



REVISIONS			
REV	DESCRIPTION	DATE	APPROVAL
A1	REDRAW IN AUTOCAD; DELETE MODEL #, P/N TABLE	04/01/08	
A2	ROTATE KEYWAY	04/22/08	



NONE	N/A
NEXT ASSY	USED ON
APPLICATION	NONE

UNLESS OTHERWISE SPECIFIED: DIMENSIONS ARE IN INCHES[MILLIMETERS].
 TOLERANCES ARE:
 FRACTIONS DECIMAL IN. [MM] ANGLES
 $\pm 1/64$.X ± 0.03 [.X ± 0.77] $\pm 0^\circ 30'$
 .XX ± 0.01 [.XX ± 0.127]
 .XXX ± 0.005 [.XXX ± 0.063]
 REMOVE BURRS AND BREAK ALL SHARP EDGES .010[.254] MAX.
 ALL DIA. TO BE \odot WITHIN .010[.254]

THIS DOCUMENT CONTAINS PROPRIETARY INFORMATION OF BEI TECHNOLOGIES, INC. ANY REPRODUCTION, USE OR DISCLOSURE OF THIS DOCUMENT WITHOUT WRITTEN CONSENT OF BEI TECHNOLOGIES, INC. IS EXPRESSLY PROHIBITED.

CONTRACT NO. N/A

APPROVALS DATE
 DRAWN KRB *[Signature]* 04/01/08
 APPROVED

BEI INDUSTRIAL ENCODER DIVISION
 BEI TECHNOLOGIES, INC.
 7230 Hollister Avenue | Goleta, CA 93117-2891 | Tel: (805) 968-0782 | Fax: (805) 968-3154

H25E OPTICAL ENCODER
 W/ INSULATING ADAPTER AND COUPLING

SIZE	FSCM NO.	DWG. NO.	REV.
B	1RB90	924-09145-119	A2

DO NOT SCALE DRAWING SCALE NONE FILE: 09145-119-A2 SHEET 1 OF 1