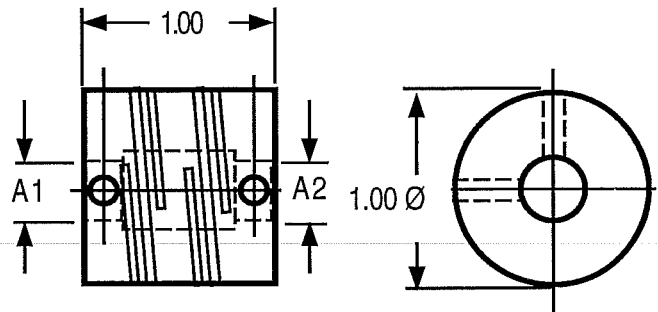


Next Assy	Used on	Ltr	Revision	Date
-----------	---------	-----	----------	------

BEI PART NO	HELICAL P/N	BORE DIA +.002 /-.000		TORSIONAL FLEXIBILITY	TORQUES (LB-INCH)		
		A1 DIA	A2 DIA		NON REVERSING	SHOCK OR REVERSING	MOMENTARY
39074-8-8	DS6384-8-8	.250	.250	.165 MIN / IN-OZ	19	9.3	37
39074-12-8	DS6384-12-8	.375	.250	.315 MIN / IN-OZ	15	7.5	30
39074-12-12	DS6384-12-12	.375	.375	.315 MIN / IN-OZ	15	7.5	30
39074-10MM-12	DS6384-10MM-12	10MM	.375	.315 MIN / IN-OZ	15	7.5	30

1. BORE IS RELIEVED TO ALLOW SHAFTS TO NEARLY BUTT.
2. SETSCREWS: CUP POINT, HEX SOCKET, #6-32. TWO AT EACH END, 90° APART.
3. PERMITTED AXIAL MOTION FROM FREE LENGTH: ±.020
4. PERMISSABLE SHAFT MISALIGNMENT:
 ANGULAR: UP TO 5°
 PARALLEL: UP TO .010



INSTALLATION NOTES:

- A) TO AVOID COUPLING FAILURE, BE SURE THE SHAFTS FIT FREELY IN THE COUPLING BORES AND THAT THE COUPLING IS NOT COMPRESSED OR SUBJECTED TO GREATER DEFLECTIONS THAN SPECIFIED ABOVE.
- B) WHEN POSSIBLE, THE ENCODER SHOULD BE ORDERED WITH SHAFT FLATS TO ENHANCE HOLDING POWER OF THE SETSCREWS AND TO ELIMINATE PROBLEMS CAUSED BY RAISING BURRS ON THE SHAFT.

MANUFACTURED BY:
HELICAL PRODUCTS CO. INC.
 901 W. MCCOY LANE
 SANTA MARIA, CA 93455
 (805) 928-3851

THESE COUPLINGS ARE MADE AVAILABLE AS A SERVICE TO OUR CUSTOMERS. BEI MAKES NO WARRANTIES EXPRESSED OR IMPLIED. ANY AND ALL WARRANTIES ARE THROUGH HELICAL PRODUCTS COMPANY, INC. AND THE USER MUST DETERMINE THE SUITABILITY FOR THEIR APPLICATION.

All drawings and specifications are and remain the property of BEI Motion Systems Company. All specifications are confidential and are not to be disclosed to any persons other than those to whom they are sent. No drawings, specifications or other data belonging to BEI Motion Systems Company which may be furnished to manufacturers or others for any purpose are to be regarded by implication or otherwise as in any manner licensing the holder or any other person or corporation or conveying any rights or permission to manufacture, use or sell any patented invention that may in any way be related thereto

Unless otherwise specified:
 Dimensions are in inches.
 Tolerances:
 XXX = .005
 xx = ±.01



Industrial Encoder Division
 BEI SENSORS AND SYSTEMS COMPANY

Material AL. ALLOY 7075-T6

Drawn 1/9/91

**COUPLING, HELICAL
 DS6384 SERIES**

App'd *M* DRM
 Scale

Code Ident. No.
12050

Dwg. No.
924-39074

SHT 1/2

Rev.

Finish CHROMIC ACID ANODIZE
 TYPE I