



---

# Customer information packet

## CHC445A

.75HP, 1700RPM, 1PH, 60HZ, 56YZ, 3428C, TEAO, F

GALCO INDUSTR ELEC

Class - None

Division - Not Applicable

## Specifications

Enclosure	TEAO
Frame	56YZ
Frame Material	Steel
Frequency	60.00 Hz
Output @ Frequency	.750 HP @ 60 HZ
Phase	1
Synchronous Speed @ Frequency	1800 RPM @ 60 HZ
Voltage @ Frequency	115.0 V @ 60 HZ 230.0 V @ 60 HZ
XP Class and Group	None
XP Division	Not Applicable
Agency Approvals	UR CSA
Ambient Temperature	40 °C
Auxillary Box	No Auxillary Box
Auxillary Box Lead Termination	None
Base Indicator	Resilient
Bearing Grease Type	Polyrex EM (-20F +300F)
Blower	None
Current @ Voltage	3.700 A @ 230.0 V 7.400 A @ 115.0 V
Drip Cover	No Drip Cover
Duty Rating	CONT
Efficiency @ 100% Load	74.0 %
Electrically Isolated Bearing	Not Electrically Isolated
Feedback Device	NO FEEDBACK
Front Face Code	Resilient Mount
Front Shaft Indicator	None
Heater Indicator	No Heater
High Voltage Full Load Amps	3.7 a
Insulation Class	B
Inverter Code	Not Inverter

## Part detail

Revision	L
Type	AC
Mech. spec.	34M244
Base	
Status	PRD/A
Elec. spec.	34WGR059
Layout	34LYM244
Eff. date	11-12-2018
CD Diagram	CD0381
Poles	04
Leads	7#18
Proprietary	False
Created date	05-22-2013

<b>KVA Code</b>	G
<b>Lifting Lugs</b>	No Lifting Lugs
<b>Locked Bearing Indicator</b>	No Locked Bearing
<b>Motor Lead Exit</b>	Terminal Panel Or Lead Hole
<b>Motor Lead Quantity/Wire Size</b>	7 @ 18 AWG
<b>Motor Lead Termination</b>	None
<b>Motor Standards</b>	NEMA
<b>Motor Type</b>	3428C
<b>Mounting Arrangement</b>	F1
<b>Number of Poles</b>	4
<b>Overall Length</b>	13.58 IN
<b>Power Factor</b>	92
<b>Product Family</b>	General Purpose
<b>Pulley End Bearing Type</b>	Ball
<b>Pulley Face Code</b>	Resilient Mount
<b>Pulley Shaft Indicator</b>	Standard
<b>Rodent Screen</b>	None
<b>RoHS Status</b>	ROHS COMPLIANT
<b>Service Factor</b>	1.15
<b>Shaft Diameter</b>	0.625 IN
<b>Shaft Extension Location</b>	Pulley End
<b>Shaft Ground Indicator</b>	No Shaft Grounding
<b>Shaft Rotation</b>	Reversible: Connected Standard
<b>Shaft Slinger Indicator</b>	No Slinger
<b>Speed</b>	1700 rpm
<b>Speed Code</b>	Single Speed
<b>Starting Method</b>	Direct on line
<b>Thermal Device - Bearing</b>	None
<b>Thermal Device - Winding</b>	None
<b>Vibration Sensor Indicator</b>	No Vibration Sensor
<b>Winding Thermal 1</b>	Automatic Thermal Overload
<b>Winding Thermal 1 Location</b>	EP

**Nameplate**

<b>NP1257L</b>									
<b>CAT.NO.</b>	CHC445A								
<b>SPEC.</b>	34M244R059G1								
<b>HP</b>	.75								
<b>VOLTS</b>	115/230								
<b>AMP</b>	7.4/3.7								
<b>RPM</b>	1700								
<b>FRAME</b>	56YZ		<b>HZ</b>	60		<b>PH</b>	1		
<b>SER.F.</b>	1.15	<b>CODE</b>	G	<b>DES</b>	-	<b>CL</b>	B		
<b>NEMA-NOM-EFF</b>	74	<b>PF</b>	92						
<b>RATING</b>	40C AMB-CONT								
<b>CC</b>			<b>USABLE AT 208V</b>						
<b>DE</b>	6203	<b>ODE</b>	6203						
<b>ENCL</b>	TEAO	<b>SN</b>							

## Parts list

Part number	Description	Quantity
SA263509	SA 34M244R059G1	1.000 ea
RA250226	RA 34M244R059G1	1.000 ea
OC3050F09SP	CAPACITOR 50 MFD 370 VAC	1.000 ea
11XW0832G06	#8-32 X 3/8, TAPTITE II, HEX WSHR SLTD	1.000 ea
LD5000A52	LEAD ASSY W/INTERNAL STAR RING TERMINALS	1.000 ea
11XT1032A06	10-32 X 3/8 HX WSHR HD SLTD TYPE 23	2.000 ea
34EP3204A01SP	FR ENDPLATE, MACH	1.000 ea
WD4100A01	DP-875 HEYCO PLUG OR 62MP0875 MICRO PLAS	1.000 ea
RM1001A01	GROMMET "MIDSTATES"	1.000 ea
51XW0832A07	8-32 X .44, TAPTITE II, HEX WSHR SLTD SE	3.000 ea
RM1000A03	CUSHION RING, MDL 17-33-34	1.000 ea
HA6004A01A	CLAMP CUSHION RING ASSY	1.000 ea
51XB1016A05	10-16X5/16HX WA SL SR TYB (F/S)	2.000 ea
HW5100A03	WAVY WASHER (W1543-017)	1.000 ea
34EP3205B01	PU ENDPLATE, MACH	1.000 ea
RM1000A03	CUSHION RING, MDL 17-33-34	1.000 ea
HA6004A01A	CLAMP CUSHION RING ASSY	1.000 ea
XY0832A02	8-32 HEX NUT	4.000 ea
34CB4501SP	TERMINAL BOX LID, STAMPED X (PLATED)	1.000 ea
34GS1005	GASKET, TERM PLATE LID	1.000 ea
51XW0832A07	8-32 X .44, TAPTITE II, HEX WSHR SLTD SE	2.000 ea
HW2501D13	KEY, 3/16 SQ X 1.375	1.000 ea
HA7000A04	KEY RETAINER 0.625 DIA SHAFTS	1.000 ea
HW1000A08	#8 SAE FLAT WASHER	8.000 ea
WD1000A16	2-520128-2 AMP FLAG TERM (4M/RL) 22-18	7.000 ea
MG1000G27	MED CHARCOAL METALLIC GREY 400-0096	0.014 ga
85XU0407S04	4X1/4 U DRIVE PIN STAINLESS	2.000 ea
34BA4003G01	RESILIENT BASE	1.000 ea
SP5076SP	MODEL 34 TERMINAL PANEL WITH QUICK CONNE	1.000 ea
34GS5003A01	FOAM SLEEVE, ID = 2 1/16" X 4 3/8"	1.000 ea
33CB4800A02	CAPACITOR COVER, STAMPED	1.000 ea

35GS3001A02	GASKET, CA.COVER, 5.38 LONG .06 CS301	1.000 ea
HA3169A16	THRUBOLT #8-32 THDS X 9.937"LG TDR#1	4.000 ea
LB1118	LABEL,WARNING (ROLL LABEL)	1.000 ea
MN416A01	TAG-INSTAL-MAINT no wire (1200/bx) 3/19	1.000 ea
LC0052	CONNECTION LABEL	1.000 ea
NP1257L	ALUM UL CSA CC THERMAL REV MTG	1.000 ea
36PA1000	PKG GRP, PRINT PK1016A06	1.000 ea

**AC Induction Motor Performance Data**

Record # 42884

Typical performance - not guaranteed values

Winding: 34WGR059-R001			Type: 3428C			Enclosure: TEAO		
<b>Nameplate Data</b>						<b>230 V, 60 Hz: High Voltage Connection</b>		
Rated Output (HP)	.75 AIR OVER		Full Load Torque	2.33 LB-FT				
Volts	115/230		Start Configuration	direct on line				
Full Load Amps	7.4/3.7		Breakdown Torque	5.74 LB-FT				
R.P.M.	1700		Pull-up Torque	1.56 LB-FT				
Hz	60	Phase	1	Locked-rotor Torque	0.947 LB-FT			
NEMA Design Code	- KVA Code		G	Starting Current	18.4 A			
Service Factor (S.F.)	1.15		No-load Current	1.7 A				
NEMA Nom. Eff.	74	Power Factor	92	Line-line Res. @ 25°C	4.1997 Ω A Ph 2.0705 Ω B Ph			
Rating - Duty	40C AMB-CONT		Temp. Rise @ Rated Load					

**Load Characteristics 230 V, 60 Hz, 0.75 HP**

% of Rated Load	25	50	75	100	125	150	S.F.
Power Factor	71	83	88	92	93	94	93
Efficiency	47	63.6	71	74.4	75.6	73.7	75.1
Speed	1783.6	1769.8	1755.4	1737.5	1719.4	1695.7	1727
Line amperes	1.93	2.42	2.98	3.66	4.36	5.23	4.08

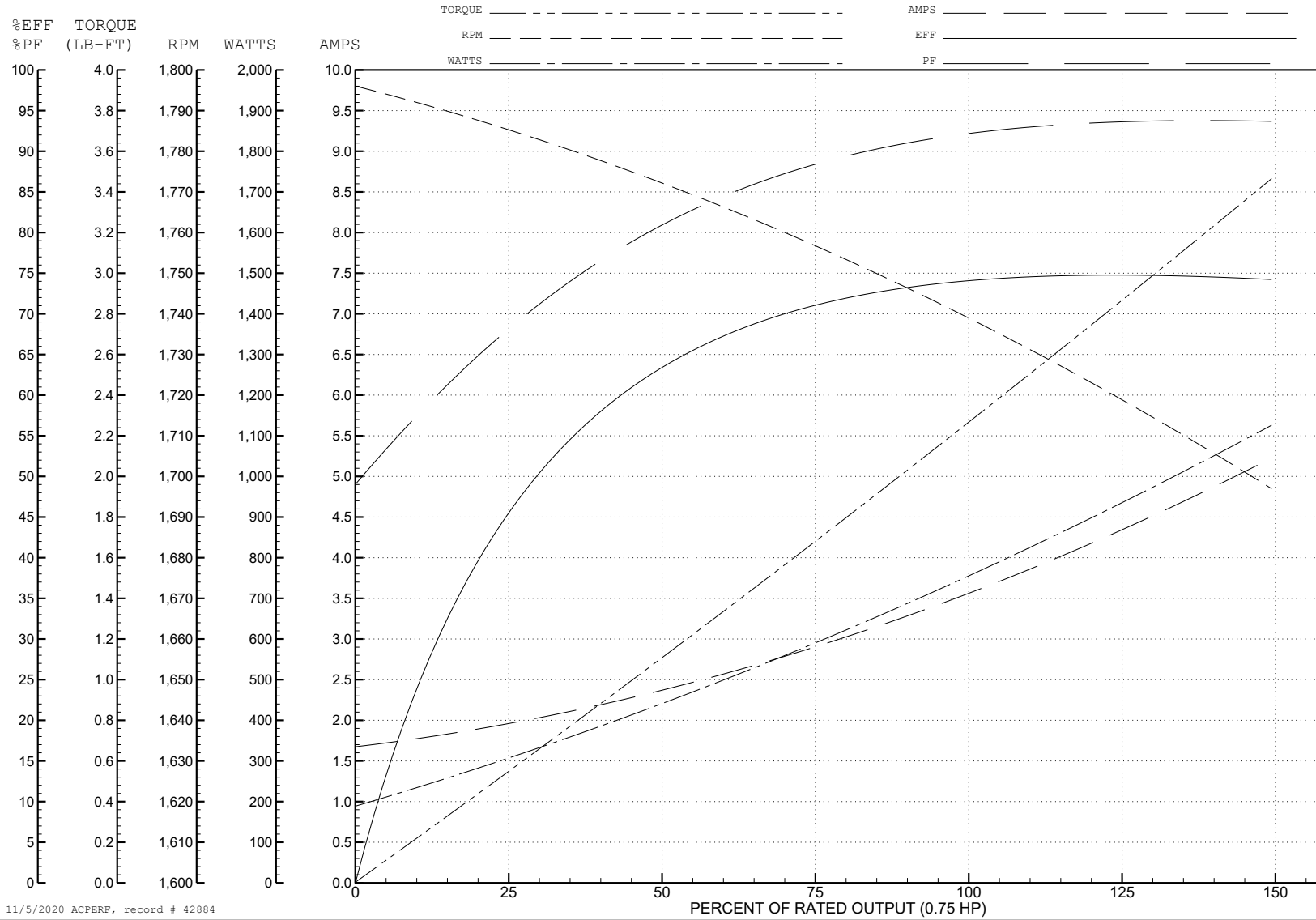
ABB Motors and Mechanical Inc.

WINDING # 34WGR059

Typical performance - not guaranteed values.

0.75 HP 1 PH 60 HZ 1700 RPM 230 V 3428C

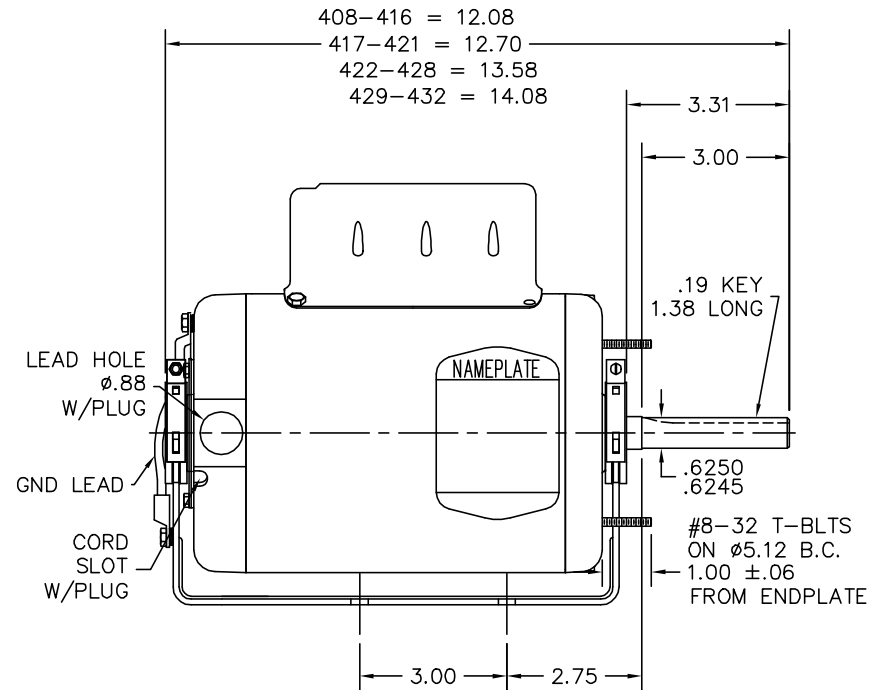
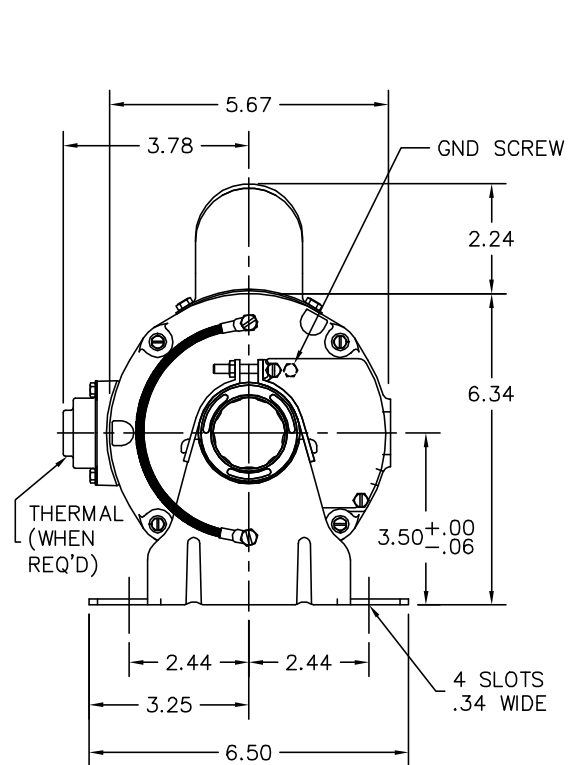
TORQUES (LB-FT): PO=5.74 PU=1.56 LR=0.947 LRA=18.4



11/5/2020 ACPERF, record # 42884



34LYM244



CUSTOMER IS RESPONSIBLE FOR DETERMINING THAT BALDOR'S PRODUCT WILL PERFORM SUITABLY IN THE INTENDED APPLICATION.

REV. DESC: NEW		
REV. LTR: -	VERSION: 00	TDR: 000000793504
FILE: \AAA\00200\634	REVISED: 02:44:34 05/22/2013	
MTL: -	BY: ENBENBO	

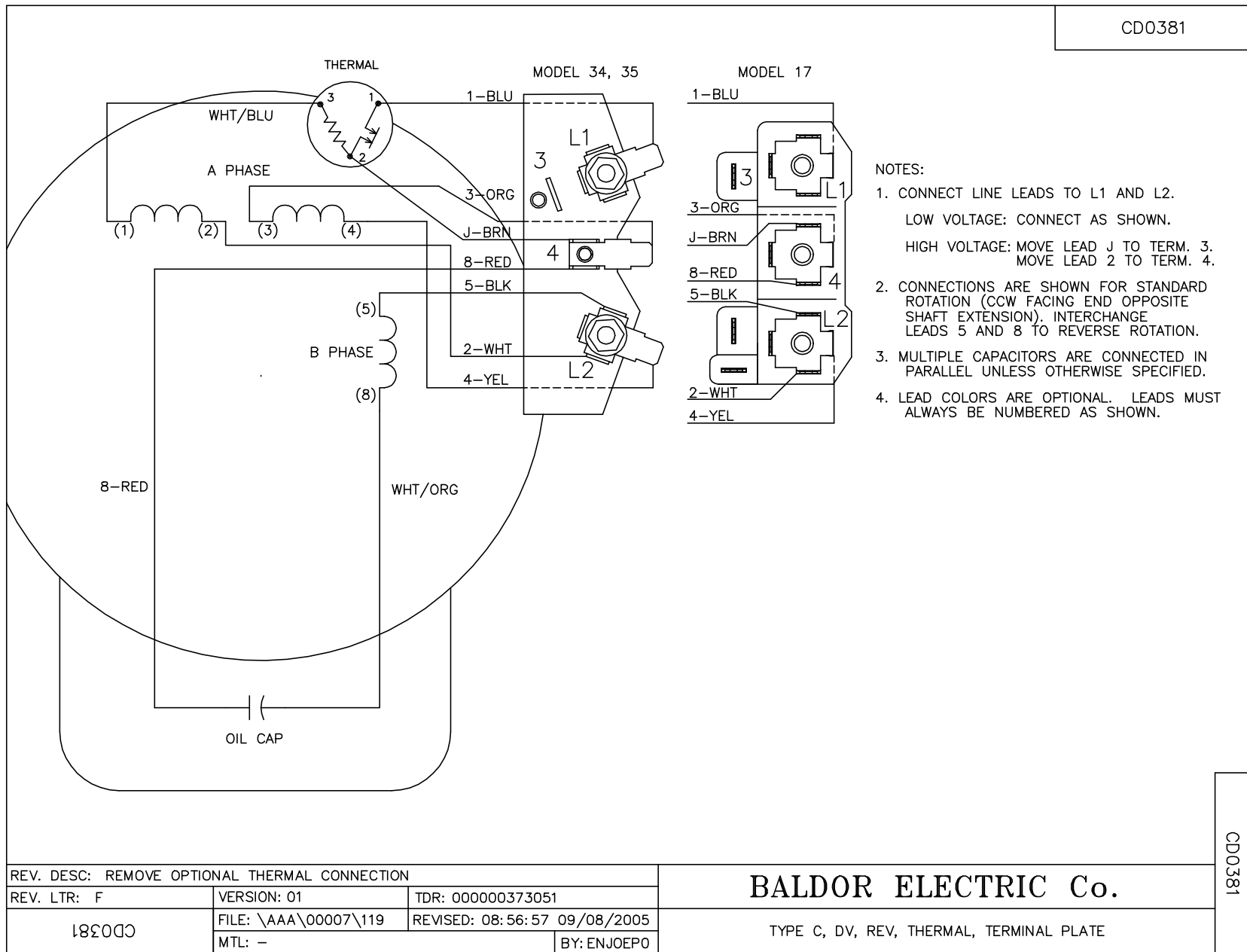
**BALDOR**

RESIL MTD 34C NEMA 56YZ TEAO W/EXTENDED T-BOLTS ON 5.12 B.C.

SH 1 of 1

34LYM244

CD0381



REV. DESC: REMOVE OPTIONAL THERMAL CONNECTION		
REV. LTR: F	VERSION: 01	TDR: 000000373051
CD0381	FILE: \AAA\00007\119	REVISED: 08:56:57 09/08/2005
	MTL: -	BY: ENJOEPO

**BALDOR ELECTRIC Co.**

TYPE C, DV, REV, THERMAL, TERMINAL PLATE

CD0381