

**BALDOR® • RELIANCE** 

**Product Information Packet**

**33E388W698**

**.17HP,1650//1375RPM,1PH,60//50HZ,42CZ,33**

Part Detail							
Revision:	AQ	Status:	PRD/A	Change #:		Proprietary:	No
Type:	AC	Elec. Spec:	33WGW698	CD Diagram:	CD0531A05	Mfg Plant:	
Mech. Spec:	33E388	Layout:	33LYE388	Poles:	04	Created Date:	06-25-2007
Base:	N	Eff. Date:	10-24-2018	Leads:	5#18		

Specs			
Enclosure:	OPEN	KVA Code:	-
Frame:	42CZ	Lifting Lugs:	No Lifting Lugs
Frame Material:	Steel	Locked Bearing Indicator:	Locked Bearing
Output @ Frequency:	.170 HP @ 60 HZ	Motor Lead Quantity/Wire Size:	5 @ 18 AWG
	.170 HP @ 50 HZ	Motor Lead Exit:	Lead Hole
Synchronous Speed @ Frequency:	1500 RPM @ 50 HZ	Motor Lead Termination:	Flying Leads
Voltage @ Frequency:	110.0 V @ 60 HZ	Motor Type:	3318C
	110.0 V @ 50 HZ	Mounting Arrangement:	F1
Agency Approvals:	CSA	Power Factor:	90
	UR	Product Family:	General Purpose
Auxillary Box:	No Auxillary Box	Pulley End Bearing Type:	Ball
Auxillary Box Lead Termination:	None	Pulley Face Code:	C-Face
Base Indicator:	No Mounting	Pulley Shaft Indicator:	Special Combination
Bearing Grease Type:	Polyrex EM (-20F +300F)	Rodent Screen:	None
Blower:	None	RoHS Status:	ROHS COMPLIANT
Current @ Voltage:	1.800 A @ 110.0 V	Shaft Extension Location:	Pulley End
	2.350 A @ 110.0 V	Shaft Ground Indicator:	No Shaft Grounding
Design Code:	-	Shaft Rotation:	Reversible

<b>Drip Cover:</b>	No Drip Cover	<b>Shaft Slinger Indicator:</b>	No Slinger
<b>Duty Rating:</b>	CONT	<b>Speed Code:</b>	Single Speed
<b>Electrically Isolated Bearing:</b>	Not Electrically Isolated	<b>Motor Standards:</b>	NEMA
<b>Feedback Device:</b>	NO FEEDBACK	<b>Starting Method:</b>	Direct on line
<b>Feedback Signal:</b>	NONE	<b>Thermal Device - Bearing:</b>	None
<b>Front Face Code:</b>	Standard	<b>Thermal Device - Winding:</b>	None
<b>Front Shaft Indicator:</b>	None	<b>Vibration Sensor Indicator:</b>	No Vibration Sensor
<b>Heater Indicator:</b>	No Heater	<b>Winding Thermal 1:</b>	Automatic Thermal Overload
<b>Insulation Class:</b>	F	<b>Winding Thermal 1 Location:</b>	WG
<b>Inverter Code:</b>	Not Inverter	<b>Winding Thermal 2:</b>	None

Nameplate NP1257L	
CAT.NO.	50HZ VOLTAGE TOL: +/- 5%
SPEC.	33E388W698
HP	.17
VOLTS	110
AMP	1.8//2.35
RPM	1650//1375
FRAME	42CZ
	HZ 60//50
	PH 1
SER.F.	1.25
	CODE -
	DES -
	CL F
NEMA-NOM-EFF	64
	PF 90
RATING	40C AMB-CONT
CC	USABLE AT 208V
DE	6203
	ODE 6203
ENCL	OPEN
	SN
	SFA 2//2.65

Parts List		
Part Number	Description	Quantity
SA084012	SA 33E388W698	1.000 EA
RA077205	RA 33E388W698	1.000 EA
OC3020F12SP	CAPACITORS 20 MFD 370 VAC	1.000 EA
RM1022A01	GROMMET .75 ID 1" OD F/.12 WALL	1.000 EA
11XW0832G06	#8-32 X 3/8, TAPTITE II, HEX WSHR SLTD	1.000 EA
33EP3100A04	EP,33AC ODE 6203 .170 DRAIN HOLE @ 6:00	1.000 EA
NS2501A01	INSULATOR, CAPACITOR	1.000 EA
51XB1016A05	10-16X5/16HX WA SL SR TYB (F/S)	2.000 EA
34GS5003A01	FOAM SLEEVE, ID = 2 1/16" X 4 3/8"	1.000 EA
HW5100A03	WAVY WASHER (W1543-017)	1.000 EA
33EP3300A22	EP,33AC DE CL 6203 42C	1.000 EA
51XN1032A20	10-32 X 1 1/4 HX WS SL SR	2.000 EA
HW2502D40	KEY, 3/16 SQ. X 4.750 SS	1.000 EA
HA7000A04	KEY RETAINER 0.625 DIA SHAFTS	1.000 EA
ML1400DF18	18 AWG,BLANK,GREEN w/YELLOW STRIPE	38.000 IN
WD1000D88	T&B RA873M,TRM.INS RING,#10 STUD,22-18 G	1.000 EA
WD1000A03	41531 AMP FLG.TERM,4M/REEL(2.5MIL)	1.000 EA
MJ5001A27	32220KN GRAY SEALER *MIN BUY 4 QTS=1GAL	0.001 QT
MG1000G27	MED CHARCOAL METALLIC GREY 400-0096	0.013 GA
85XU0407S04	4X1/4 U DRIVE PIN STAINLESS	2.000 EA
33CB4800A01	CAPACITOR COVER, STAMPED	1.000 EA
HA3100A11	THRUBOLT 10-32 X 6.750	2.000 EA
MN416A01	TAG-INSTAL-MAINT no wire (1200/bx) 3/19	1.000 EA
LB1118	LABEL,WARNING (ROLL LABEL)	1.000 EA

<b>Parts List (continued)</b>		
<b>Part Number</b>	<b>Description</b>	<b>Quantity</b>
LC0002	CONNECTION LABEL	1.000 EA
NP1257L	ALUM UL CSA CC THERMAL REV MTG	1.000 EA
35PA1005	PKG GRP, BLANK PK1012	1.000 EA
PK3083	STYROFOAM PACKING CRADLE	1.000 EA
PK3088	MICROFOAM, 8"X"8 PERF. SHEETS 5,400/RL	1.000 EA
PK3085X	FOAM SHAFT SUPPORT PRECUT 4-1/4 X 6-3/4	1.000 EA
LB1417	LABEL CARTON 6X4 PERFORATED BLANK ROLLS	1.000 EA

**AC Induction Motor Performance Data**  
Record # 6512 - Typical performance - not guaranteed values

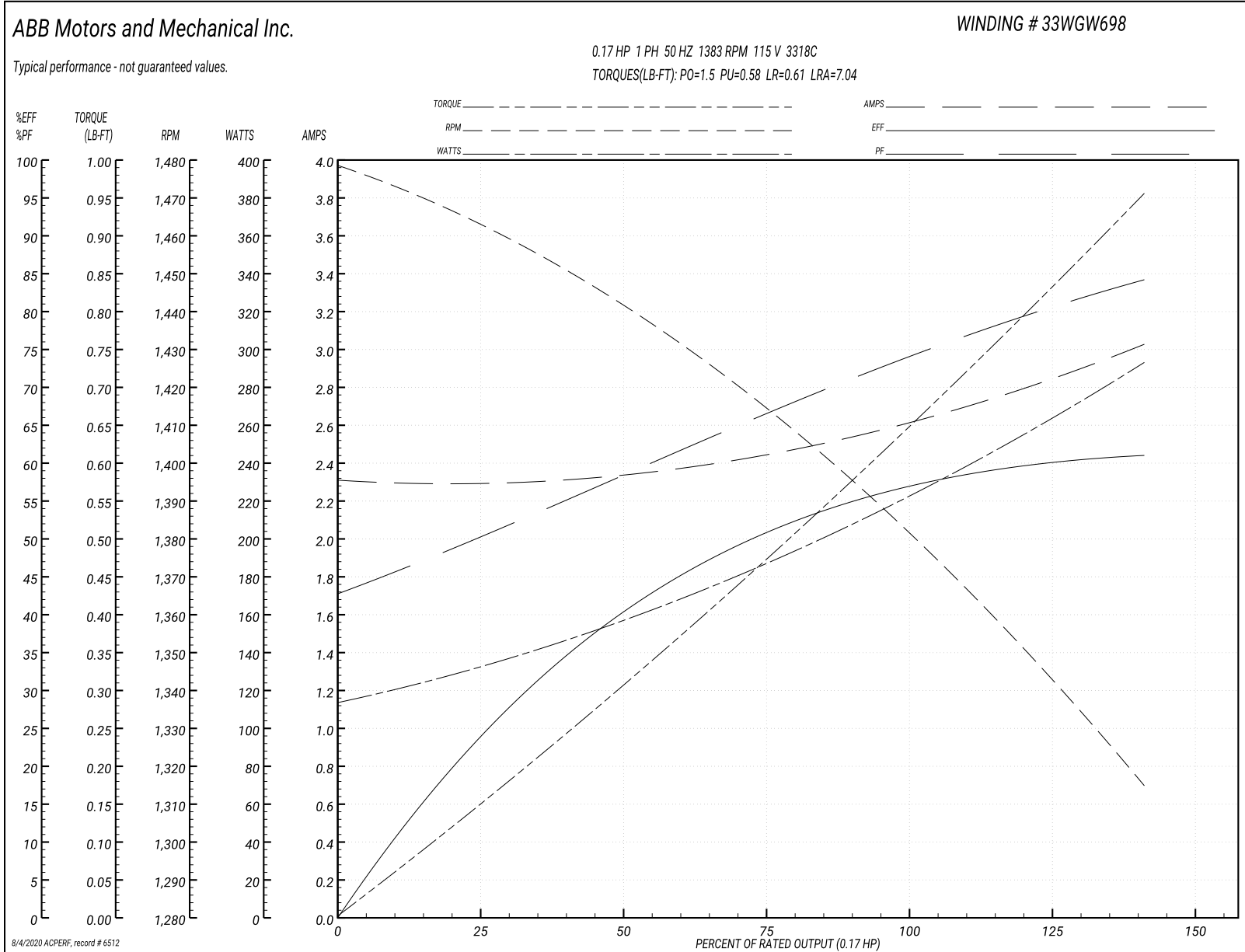
<b>Winding:</b> 33WGW698	<b>Type:</b> 3318C	<b>Enclosure:</b> OPEN
--------------------------	--------------------	------------------------

Nameplate Data				115 V, 50 Hz: Single Voltage Motor	
Rated Output (HP)	.17			Full Load Torque	0.64 LB-FT
Volts	115			Start Configuration	direct on line
Full Load Amps	2.6//1.9			Breakdown Torque	1.5 LB-FT
R.P.M.	1400//1700			Pull-up Torque	0.58 LB-FT
Hz	50//60	Phase	1	Locked-rotor Torque	0.61 LB-FT
NEMA Design Code	-	KVA Code	-	Starting Current	7.04 A
Service Factor (S.F.)	1.25			No-load Current	2.303 A
NEMA Nom. Eff.	0	Power Factor	0	Line-line Res. @ 25°C	4.512 Ω A Ph 7.502 Ω B Ph
Rating - Duty	40C AMB-CONT			Temp. Rise @ Rated Load	85°C
S.F. Amps	2.8//2.1			Temp. Rise @ S.F. Load	88°C

Load Characteristics 115 V, 50 Hz, 0.17 HP

% of Rated Load	25	50	75	100	125	150	S.F.
Power Factor	52	60	66	74	79	85	79
Efficiency	24.3	40.6	51.8	56.8	60.5	60.4	60.5
Speed	1461	1438	1414	1383	1353	1312	1353
Line amperes	2.3	2.352	2.444	2.61	2.785	3.042	2.78

Performance Graph at 115V, 50Hz, 0.17HP Typical performance - Not guaranteed values





**AC Induction Motor Performance Data**  
Record # 6513 - Typical performance - not guaranteed values

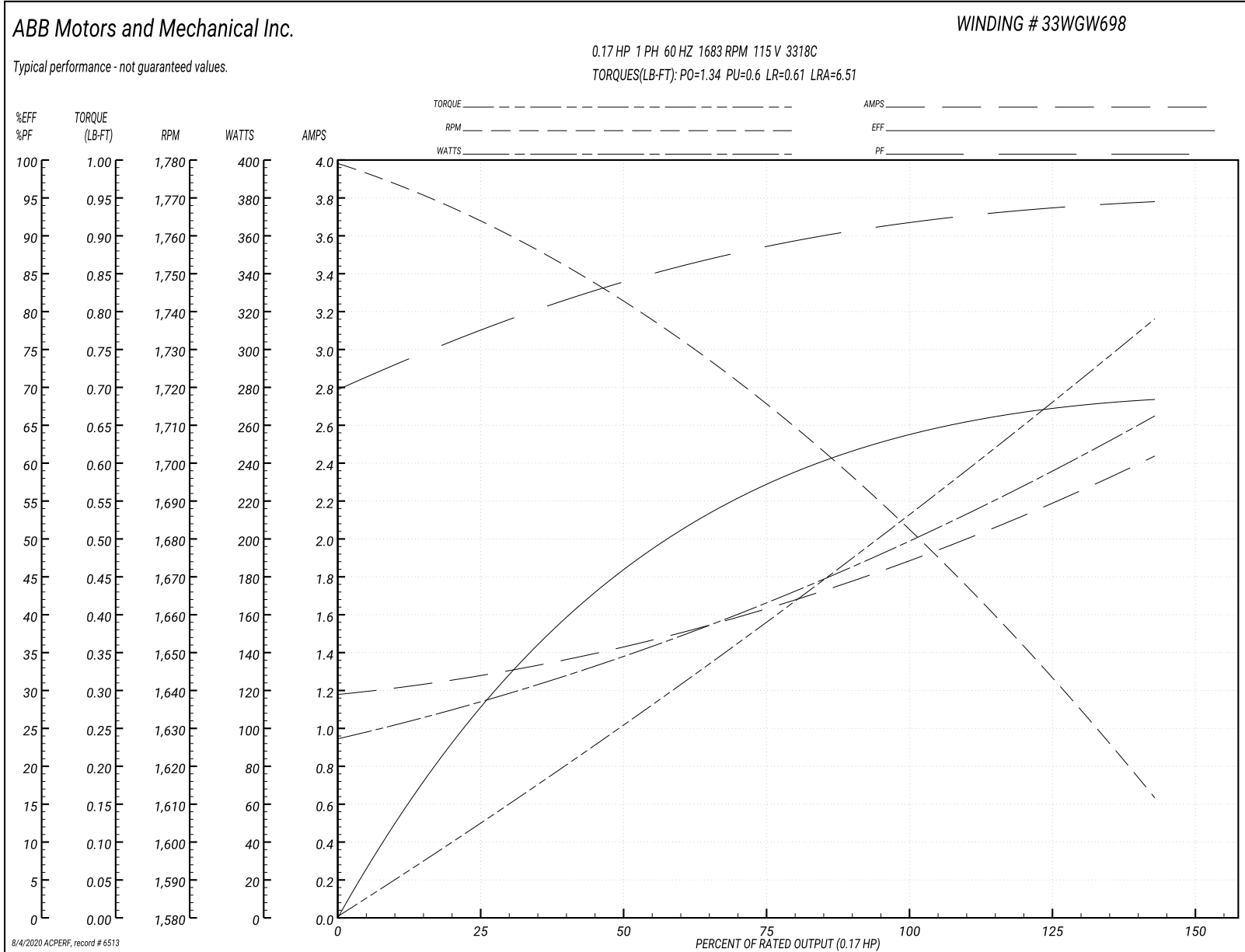
<b>Winding:</b> 33WGW698	<b>Type:</b> 3318C	<b>Enclosure:</b> OPEN
--------------------------	--------------------	------------------------

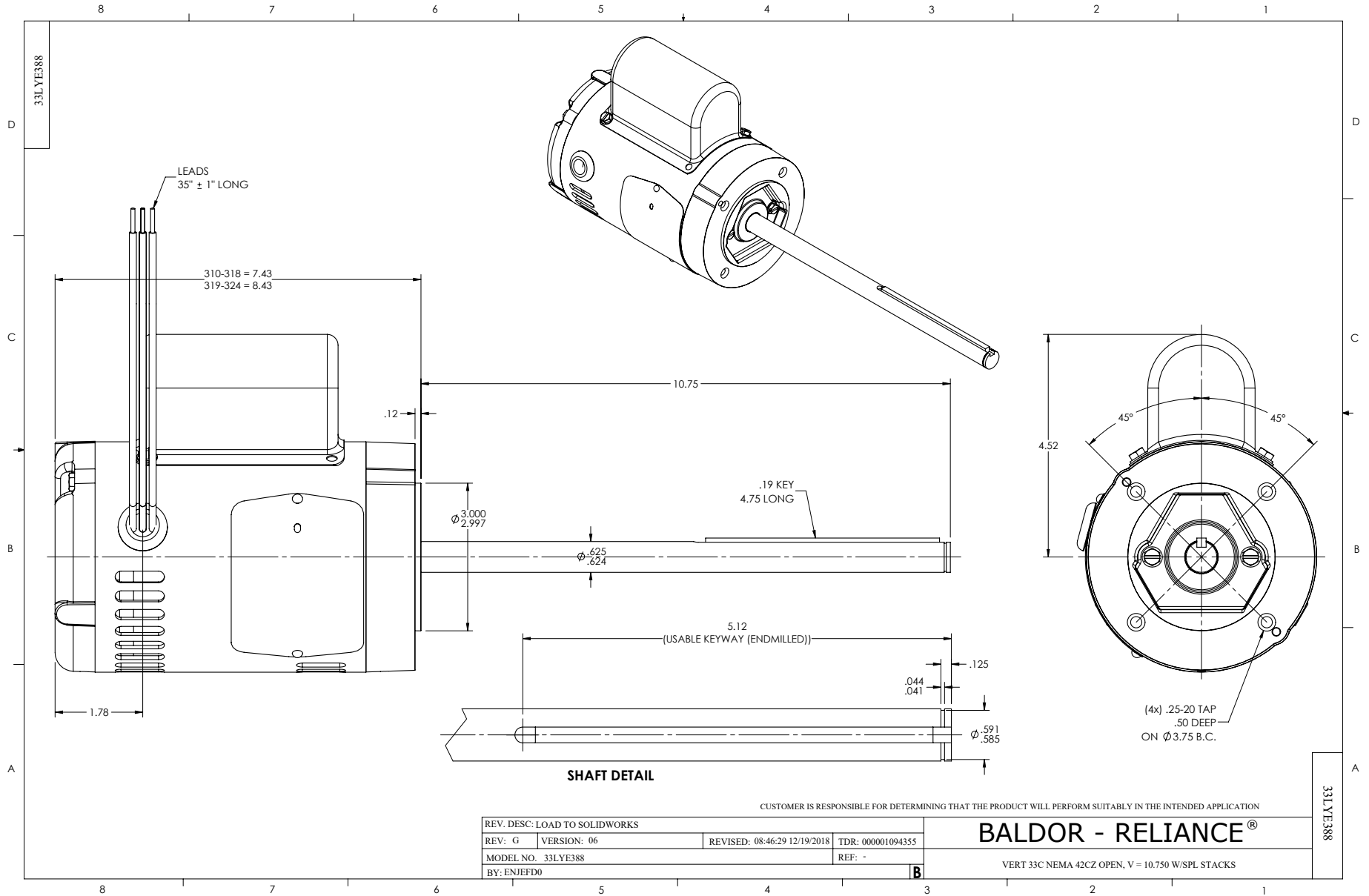
Nameplate Data				115 V, 60 Hz: Single Voltage Motor	
Rated Output (HP)	.17			Full Load Torque	0.529 LB-FT
Volts	115			Start Configuration	direct on line
Full Load Amps	2.6//1.9			Breakdown Torque	1.34 LB-FT
R.P.M.	1400//1700			Pull-up Torque	0.6 LB-FT
Hz	50//60	Phase	1	Locked-rotor Torque	0.61 LB-FT
NEMA Design Code	-	KVA Code	D	Starting Current	6.51 A
Service Factor (S.F.)	1.25			No-load Current	1.171 A
NEMA Nom. Eff.	0	Power Factor	0	Line-line Res. @ 25°C	4.512 Ω A Ph 7.502 Ω B Ph
Rating - Duty	40C AMB-CONT			Temp. Rise @ Rated Load	
S.F. Amps	2.8//2.1			Temp. Rise @ S.F. Load	

Load Characteristics 115 V, 60 Hz, 0.17 HP

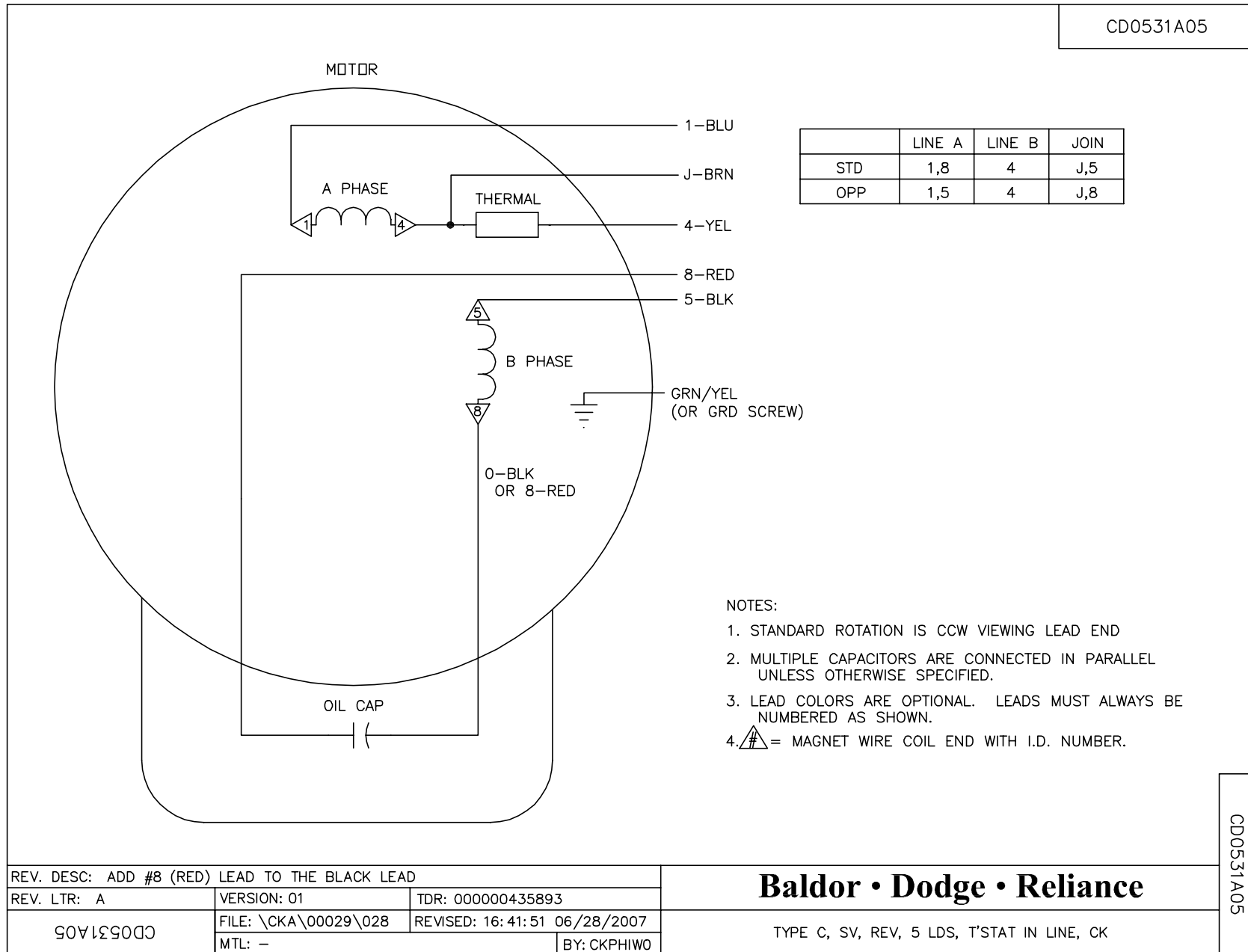
% of Rated Load	25	50	75	100	125	150	S.F.
Power Factor	79	86	88	90	94	94	94
Efficiency	28.1	45.9	57.9	64.7	67.3	68	67.3
Speed	1761	1740	1714	1683	1653	1608	1653
Line amperes	1.294	1.443	1.647	1.885	2.124	2.457	2.12

Performance Graph at 115V, 60Hz, 0.17HP Typical performance - Not guaranteed values





CD0531A05



REV. DESC: ADD #8 (RED) LEAD TO THE BLACK LEAD			
REV. LTR: A	VERSION: 01	TDR: 000000435893	
CD0531A05	FILE: \CKA\00029\028	REVISED: 16:41:51 06/28/2007	
	MTL: -	BY: CKPHIWO	

**Baldor • Dodge • Reliance**

TYPE C, SV, REV, 5 LDS, T'STAT IN LINE, CK

CD0531A05