

BALDOR® • RELIANCE 

Product Information Packet

IDVSM4110T

40HP,1775RPM,3PH,60HZ,324T,1254M,TEFC,F1

Part Detail							
Revision:	D	Status:	PRD/A	Change #:		Proprietary:	No
Type:	AC	Elec. Spec:	12WGY276	CD Diagram:	CD0180	Mfg Plant:	
Mech. Spec:	12G534	Layout:	12LYG534	Poles:	04	Created Date:	03-14-2017
Base:	RG	Eff. Date:	09-16-2019	Leads:	9#8		

Specs			
Catalog Number:	IDVSM4110T	Insulation Class:	F
Enclosure:	TEFC	Inverter Code:	Inverter Duty
Frame:	324T	IP Rating:	NONE
Frame Material:	Iron	KVA Code:	H
Output @ Frequency:	40.000 HP @ 60 HZ	Lifting Lugs:	Standard Lifting Lugs
Synchronous Speed @ Frequency:	1800 RPM @ 60 HZ	Locked Bearing Indicator:	Locked Bearing
Voltage @ Frequency:	460.0 V @ 60 HZ	Motor Lead Quantity/Wire Size:	9 @ 8 AWG
	230.0 V @ 60 HZ	Motor Lead Exit:	Ko Box
XP Class and Group:	None	Motor Lead Termination:	Flying Leads
XP Division:	Not Applicable	Motor Type:	1254M
Agency Approvals:	CSA	Mounting Arrangement:	F1
	UR	Power Factor:	82
Auxillary Box:	No Auxillary Box	Product Family:	General Purpose
Auxillary Box Lead Termination:	None	Pulley End Bearing Type:	Ball
Base Indicator:	Rigid	Pulley Face Code:	Standard
Bearing Grease Type:	Polyrex EM (-20F +300F)	Pulley Shaft Indicator:	Standard
Blower:	None	Rodent Screen:	None
Current @ Voltage:	102.000 A @ 208.0 V	Shaft Extension Location:	Double Shaft

	48.000 A @ 460.0 V	Shaft Ground Indicator:	No Shaft Grounding
	96.000 A @ 230.0 V	Shaft Rotation:	Reversible
Design Code:	A	Shaft Slinger Indicator:	Shaft Slinger
Drip Cover:	No Drip Cover	Speed Code:	Single Speed
Duty Rating:	CONT	Motor Standards:	NEMA
Electrically Isolated Bearing:	Not Electrically Isolated	Starting Method:	Direct on line
Feedback Device:	NO FEEDBACK	Thermal Device - Bearing:	None
Front Face Code:	Standard	Thermal Device - Winding:	Normally Closed Thermostat
Front Shaft Indicator:	None	Vibration Sensor Indicator:	No Vibration Sensor
Heater Indicator:	No Heater	Winding Thermal 1:	None
		Winding Thermal 2:	None

Nameplate NP3302L	
CAT NO	IDVSM4110T
SPEC.	12G534Y276G1
FRAME	324T HP 40 TE
VOLTS	230/460
MAG CUR	39/19.5 FLA 96/48
RPM	1775 RPM MAX 2700
HZ	60 PH 3 CLASS F
SER.F.	1.00 SL HZ 0.85
NEMA-NOM-EFF	94.1 WK2 7.19
RATING	40C AMB-CONT
DE BRG	6312 ODE BRG 6311
CC	010A SN
	1.5:1 CHP PWM

Parts List		
Part Number	Description	Quantity
SA335731	SA 12G534Y276G1	1.000 EA
RA323955	RA 12G534Y276G1	1.000 EA
09FN3001B03SP	EXTERNAL FAN, PLASTIC	1.000 EA
10CB3001	CONDUIT BOX CAST W/2.500 LEAD HOLE	1.000 EA
09GS1000SP	GASKET-CONDUIT BOX, 1/16 THICK LEXIDE	1.000 EA
10XN3118K12	5/16-18 X .75 GRADE 5, ZINC PLATED	4.000 EA
HW1001A31	LOCKWASHER 5/16, ZINC PLT.591 OD, .319 I	4.000 EA
WD1000B25	GND LUG, BURNDY L125HP OR T&B L125HP-BB	1.000 EA
19XW3118G08	.31-18X.50,HEX WSHR HD,TAPTITE 2,GREEN	1.000 EA
12EP1107A05	FR ENDPLATE, MACH 324-6T	1.000 EA
HA3400A13	STUD, 1/2-13 X 7" WELKER	4.000 EA
HW1001A50	LOCKWASHER 1/2, ZINC PLT.,.879 OD, .509 I	4.000 EA
HW4600B41	V-RING SLINGER 2.125 X 2.880 X 0.280	1.000 EA
HW5100A13	W4627-047 WVY WSHER	1.000 EA
10XN3118K36	5/16-18 X 2.25" HEX HD, GRADE 5	2.000 EA
HW1001A31	LOCKWASHER 5/16, ZINC PLT.591 OD, .319 I	2.000 EA
10XN3118K40	5/16-18 X 2.50" HEX HD, GRADE 5	4.000 EA
HW1001A31	LOCKWASHER 5/16, ZINC PLT.591 OD, .319 I	4.000 EA
12EP1106A01	PU ENDPLATE, MACH	1.000 EA
10XN5013K28	1/2-13 X 1.75 HEX HEAD MACH SCREW,GRAD	4.000 EA
HW1001A50	LOCKWASHER 1/2, ZINC PLT.,.879 OD, .509 I	4.000 EA
12FH1002A27	FAN COVER, MACH	1.000 EA
HW1001A50	LOCKWASHER 1/2, ZINC PLT.,.879 OD, .509 I	4.000 EA
XY5013A12	NUT,1/2-13,HEX,STEEL,ZINCPLATED	4.000 EA

Parts List (continued)		
Part Number	Description	Quantity
HA6881	BEI HS35 THRU SHAFT ENCODER PROTECTIVE C	1.000 EA
10XN2520K12	1/4-20 X.75 GRD 5	3.000 EA
HW1001A25	LOCKWASHER 1/4, ZINC PLT .493 OD, .255 I	3.000 EA
10CB3500SP	CONDUIT BOX LID, CAST	1.000 EA
10GS1000SP	GASKET, CONDUIT BOX LID	1.000 EA
51XW2520A12	.25-20 X .75, TAPTITE II, HEX WSHR SLTD	4.000 EA
HW2501H33	KEY, 1/2 SQ X 3.875	1.000 EA
LB1115N	LABEL,LIFTING DEVICE (ON ROLLS)	1.000 EA
HA4051A00	PLASTIC CAP FOR GREASE FITTING	1.000 EA
HW4500A21	1618BALEMITE FITTING 825 UNIVERSAL	1.000 EA
HA4017A01	1/8 X 4 GREASE EXT (F/S)	1.000 EA
HW4500A17	317400 ALEMITE GREASE RELIEF	1.000 EA
HA4054	SHORT T-DRAIN FITTING, .125" N.P.T.	1.000 EA
MJ1000A02	GREASE, MOBIL POLYREX EM - 124047	0.200 LB
HA4051A00	PLASTIC CAP FOR GREASE FITTING	1.000 EA
HW4500A03	GREASE FITTING, .125 NPT 1610(ALEMITE) 8	1.000 EA
HW4500A17	317400 ALEMITE GREASE RELIEF	1.000 EA
HA4054	SHORT T-DRAIN FITTING, .125" N.P.T.	1.000 EA
HW2500A25	WOODRUFF KEY USA #1008 #BLOW CARBON STEE	1.000 EA
51XB1214A20	12-14X1.25 HXWSSLD SERTYB	1.000 EA
MG1025N19	MUNSELL 8.5BG 3.57/2.0, GLOSS 30, B/G,	0.080 GA
85XU0407S04	4X1/4 U DRIVE PIN STAINLESS	2.000 EA
LB1119N	WARNING LABEL	1.000 EA
LC0181	CONNECTION LABEL	1.000 EA

Product Information Packet: IDVSM4110T - 40HP,1775RPM,3PH,60HZ,324T,1254M,TEFC,F1

NP3302L	ALUM INV UL CSA CC (W/OUT DESIGN FIELD)	1.000 EA
10PA1010	PACKAGING GROUP, PRINT PK1151A06	1.000 EA
MN416A01	TAG-INSTAL-MAINT no wire (1200/bx) 3/19	1.000 EA
PE-0000013	ZRTG PE ASSEMBLY	1.000 EA

NP VOLTS	230/460	MAX SAFE RPM	2700	WYE CONN EQ.CKT OHMS PER PHASE (BASE RATING, 200)			
NP AMPS	96/48	Base Volt	460	R1	0.077	X1	0.428
HP	40HP	NL AMPS	19.5	R2	0.060	X2	0.492
BASE SPEED	1775	Slips (Hz)	0.67			XM	11.900
PHASE/HZ	3/60	WK ² (lb-ft ²)	7.19				

Rated Full Load Data

	RPM	HP	Torque	Volts	Freq-Hz	Amps
Base Speed	1780	40.0	118.0	460	60	48.4
Max Speed	2669	40.0	78.7	460	90	45.1
Min Speed	0	0.0	118.0	16.88	0.67	48.4

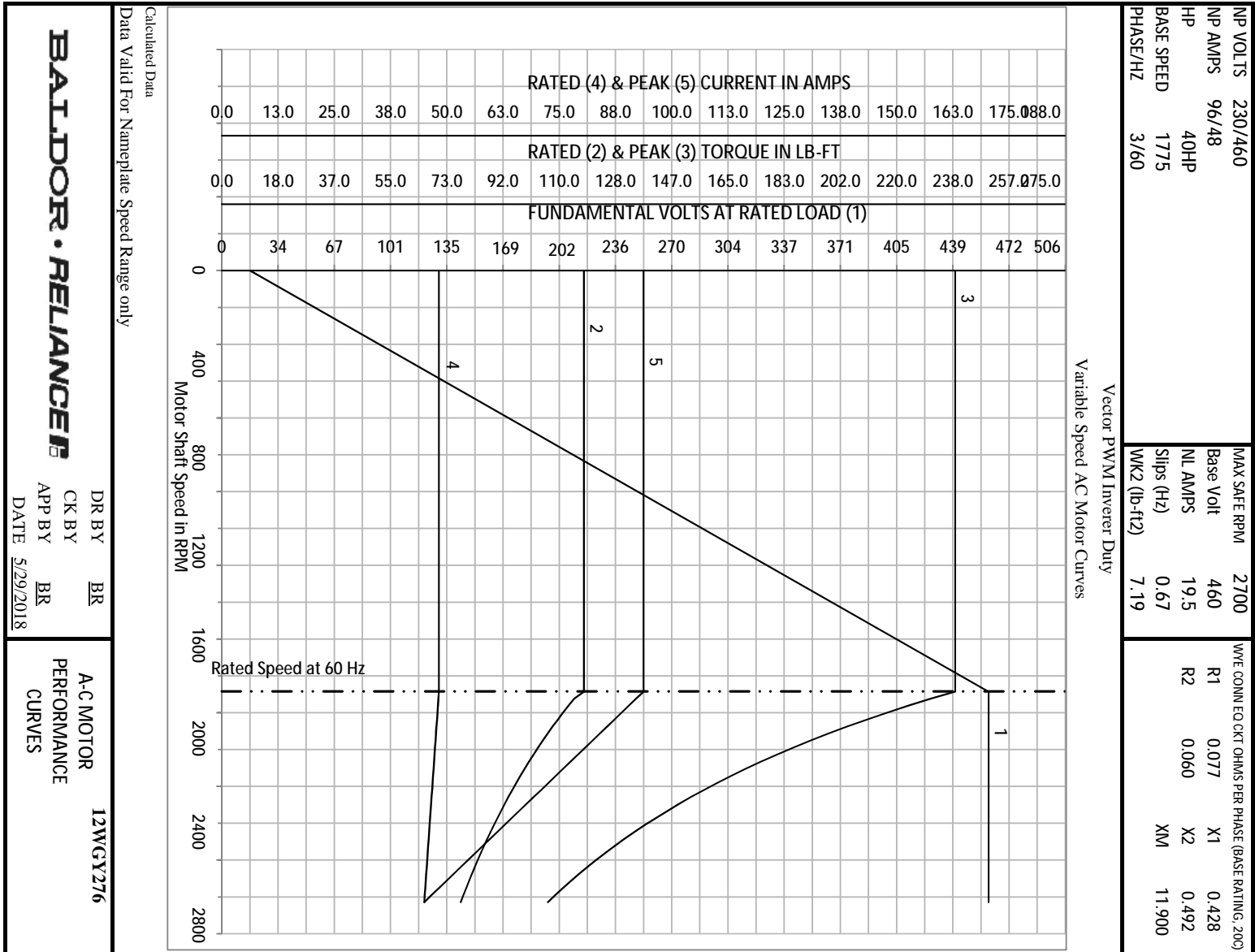
Load Performance at Base Speed

	RPM	HP	Torque	Volts	Freq-Hz	Amps
No Load	1799	0.0	0.0	460	60	19.5
1/4	1795	10.1	29.5	460	60	22.9
1/2	1790	20.1	59.0	460	60	30.1
3/4	1785	30.1	88.6	460	60	38.9
Full Load	1780	40.0	118.0	460	60	48.4
O/L	1758	80.0	239.0	460	60	94.0

Blower Data	Volts	Pn/Hz	FL Amps	LR Amps	Frame	CFM

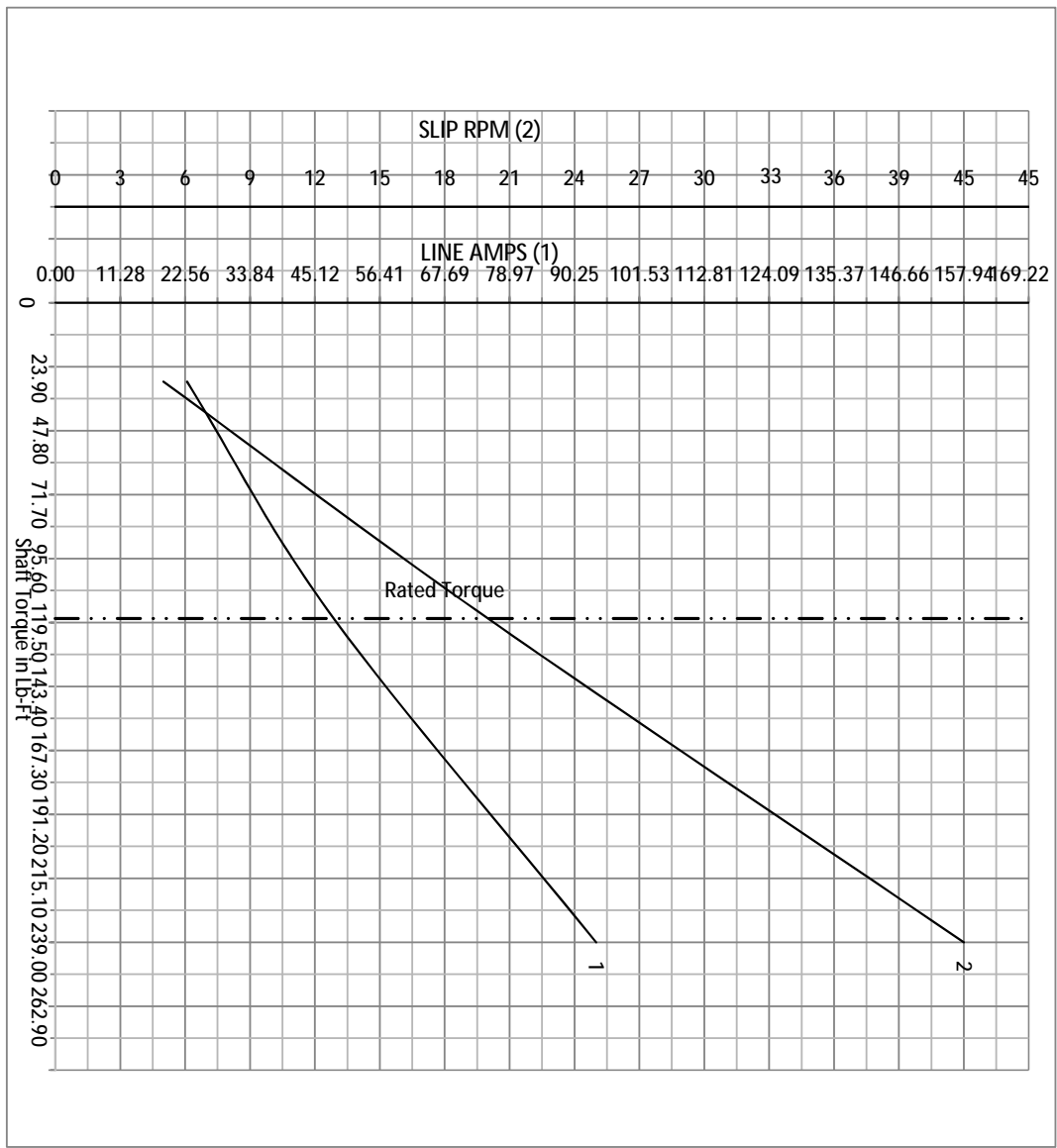
Remarks: Calculated Data
Vector PWM Inverter Duty

<p>BALDOR • RELIANCE</p>	DR BY	BR	<p>A-C MOTOR PERFORMANCE CURVES</p>
	CK BY	BR	
	APP BY	BR	
	DATE	5/29/2018	
			12WGY276



NP VOLTS	230/460	MAX SAFE RPM	2700	WYE CONN	EQ. CKT	OHMS PER PHASE (BASE RATING, 200)
NP AMPS	96/48	Base Volt	460	R1	0.077	X1
HP	40HP	NL AMPS	19.5	R2	0.060	X2
BASE SPEED	1775	Slips (Hz)	0.67			XM
PHASE/HZ	3/60	Wk2 (lb-ft ²)	7.19			11.900

Vector PWM Invert Duty
Variable Speed AC Motor Curves

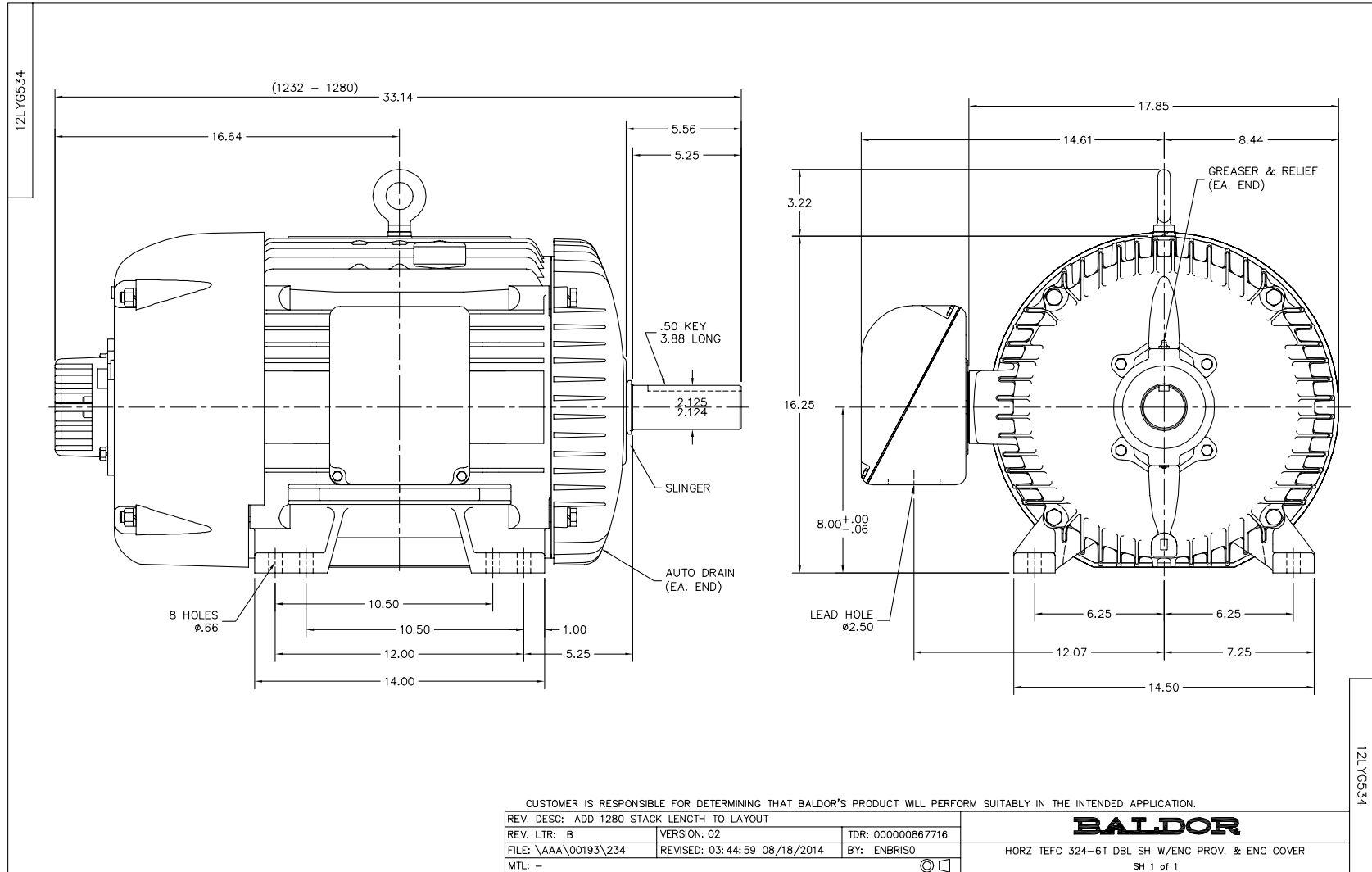


Calculated Data

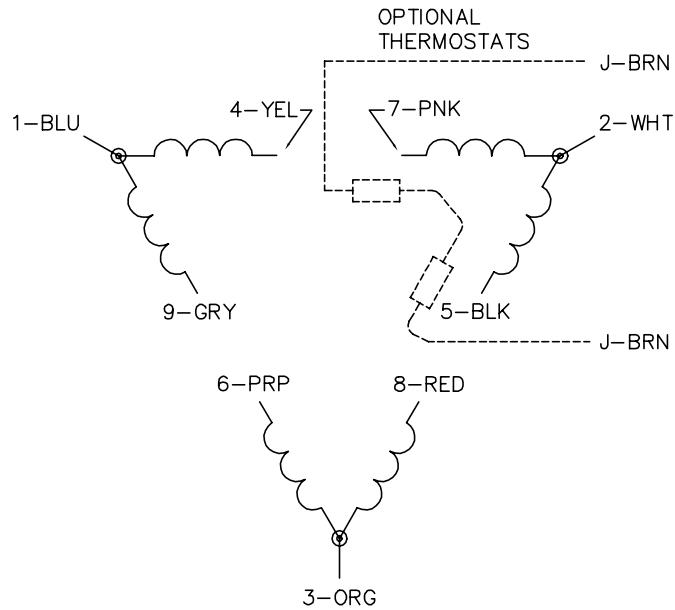
Data Valid For Nameplate Speed Range only

BALDOR • RELIANCE

DR BY	BR	A-C MOTOR	12WGY276
CK BY		PERFORMANCE	
APP BY	BR	CURVES	
DATE	5/29/2018		



CD0180



LOW VOLTAGE
(2D)



HIGH VOLTAGE
(1D)



NOTES:

1. INTERCHANGE ANY TWO LINE LEADS TO REVERSE ROTATION.
2. OPTIONAL THERMOSTATS ARE PROVIDED WHEN SPECIFIED.
3. ACTUAL NUMBER OF INTERNAL PARALLEL CIRCUITS MAY BE A MULTIPLE OF THOSE SHOWN ABOVE.
4. LEAD COLORS ARE OPTIONAL. LEADS MUST ALWAYS BE NUMBERED AS SHOWN.

CD0180

REV. DESC: ADD CLASS CONN00000007		
REV. LTR: D	VERSION: 01	TDR: 000001099922
FILE: \AAA\00005\148	REVISED: 10:25:29 02/19/2019	BY: ENBRIRO
MTL: -	© □	

BALDOR - RELIANCE®

3PH, DV, 9 LEADS, DELTA CONNECTION

SH 1 of 1

Marketing maintained PDF of MN416:

<http://www.baldor.com/support/Literature/Load.ashx/MN416?ManNumber=MN416>