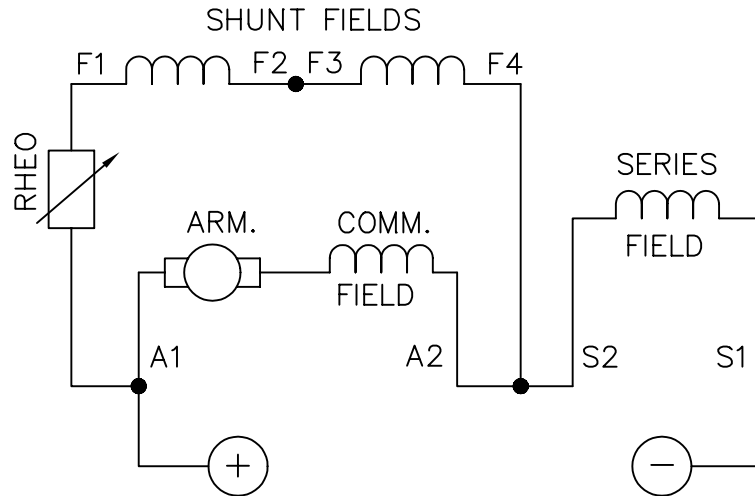


ALUMINUM (MATT) BACKGROUND WITH BLACK LETTERS

LABEL MANUFACTURER IDENTIFYING MARK TO APPEAR HERE

CONNECTIONS AND TERMINAL MARKINGS

D.C. GENERATOR CONNECTION DIAGRAM
COMPOUND WOUND
SHORT SHUNT CONNECTION



SHOWN FOR COUNTER CLOCKWISE
ROTATION END OPPOSITE DRIVE.
FOR CLOCKWISE ROTATION
END OPPOSITE DRIVE INTERCHANGE
LEADS A1 AND A2.

NOTE:
MATERIAL .005 MINIMUM FULL HARD
ALUMINUM DULL FINISH.
TEMP. RANGE -20°C TO +125°C
MAXIMUM.
FOR INDOOR AND OUTDOOR MOUNTING
BACK.
METAL, PRESSURE SENSITIVE BACK.
MUST MEET CSA STANDARD.
THE CSA IDENTIFYING MARK OF THE
LABEL MANUFACTURER MUST APPEAR
IN THE UPPER RIGHT HAND CORNER AS
INDICATED.

3 1/2

151128

2 1/2

UNLESS OTHERWISE SPECIFIED,
BREAK ALL SHARP EDGES .010/.020.
REMOVE ALL BURRS.

TOLERANCES

.X ±.015 FRACTIONS ±1/32
.XX ±.010 RADII ±1/16
.XXX ±.005 ANGLES ±1°

MATL: NOTED

REV: A CHANGE ALL "NAMEPLATE" TEXT TO "LABEL"

821191

SCALE: - BY: BKW REVISED: 02/19/97
FILE: CHB00003088 TDR: 0115147

BALDOR ELECTRIC Co.

LABEL, CONNECTIONS AND TERMINAL MARKINGS DC GENERATORS