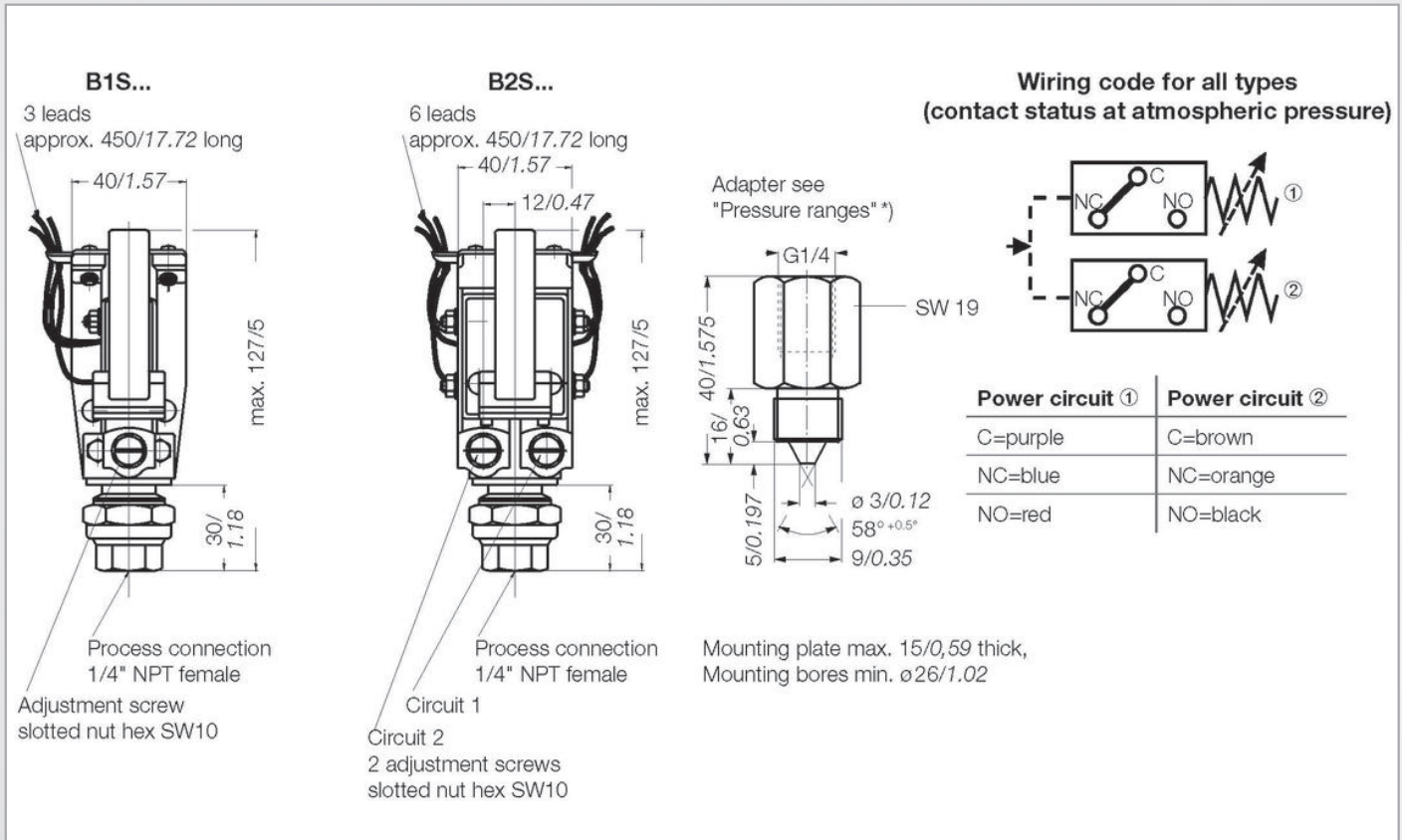


## Bourdon Tube Pressure Switches

## Type B1S/B2S

### Dimensions (mm / inch)



### Electrical Ratings

Micro switch	Special features	Volt AC 50/60 Hz	Ind. load A	Res. load A	Volt DC	Ind. load A	Res. load A	Comments
H	Micro switch with silver contacts	125	10	10	6	0.50	0.5	Small hysteresis; High AC-/ low DC-load
		250	10	10	to			
		480*	3	3	24			
M	Micro switch with silver contacts	125	10	10	12	5.00	15.0	Medium hysteresis; High AC- and DC-loads
		250	10	10	24	1.00	2.0	
		480*	3	3	250*	0.25	0.4	
GH	Micro switch with gold-plated contacts for low voltage and/or low current	125	1	1	24	1.00	1.00	Small hysteresis
GM		30	0.1	0.1	30	0.10	0.1	Medium hysteresis

\* on request

### Order Code

Example for order number

Type		or	Type		Micro switch		Pressure range code
B1S			B2S	-	H		48SS

Your order number

Type		or	Type		Micro switch		Pressure range code
				-			