



# 562 Series Parallel Shaft AC or DC

UP TO 1100 IN-LBS CONTINUOUS

The 562 Series offers versatility and flexibility in a small package while delivering high torques. The 562 has ratios available from 27.9 to 1397 in 3 or 4 stages of gearing. In addition, the 562 can be shaft mounted utilizing the hollow output shaft which can reduce overall cost by eliminating couplings.

## Specifications

Gearhead		Motor	Shaft Options
Gearing:	AGMA class 9 heat treated steel 1st-stage helical, balance spur	Motor Type: PSC, PMDC	Size: <b>3/4" diameter:</b> hollow standard; <b>3/4" diameter or smaller:</b> double output; <b>1" diameter or smaller:</b> single output
Housing:	Precision machined die cast aluminum	Rotation: Reversible	Materials: Carbon steel
Lubrication:	Grease	Bearings: Ball	<b>Additional Information</b>
Bearings:	<b>Output shaft:</b> supported by ball bearings; <b>Intermediate gearing:</b> supported with needle bearings	Insulation: Class B minimum on AC, Class F typical on DC	
Stages:	3 or 4 stages	Enclosure: TENV	See pages 86-87 for additional accessories
Mounting:	Shaft mount, base mount, or face mount, any angle	Finish: Gloss black powdered coat	Wiring diagram pages 88-91
Finish:	Unpainted	<b>Features</b>	
		<ul style="list-style-type: none"> <li>Standard hollow shaft or solid shaft insert out of either side of housing</li> <li>Terminal boxes or cordsets available</li> </ul>	

## 562 Series PSC 115VAC

\*\* Gear Limited (check website for updated information.)

Part Number	Speed (RPM)	Torque (in-lbs)	Input HP	Gear Ratio	Stages	Amps	Hz	Shipping Wt.
016-562-1397	1.2	1100**	1/20	1397.1	4	0.59	60	12
016-562-0401	4.1	676	1/20	402.2	3	0.59	60	12
016-562-0285	5.8	478	1/20	284.2	3	0.59	60	12
016-562-0151	11	253	1/20	150.8	3	0.59	60	12
016-562-0121	14	204	1/20	121.4	3	0.59	60	12
016-562-0084	20	142	1/20	84.3	3	0.59	60	12
016-562-0043	38	72	1/20	43.0	3	0.59	60	12

## 562 Series 12VDC

Part Number	Speed (RPM)	Torque (in-lbs)	Input HP	Gear Ratio	Stages	Amps	Shipping Wt.	Brush
011-562-3397	1.3	1100**	1/20	1397.1	4	3.00	10	C
011-562-3401	4.5	620	1/20	402.2	3	4.73	10	C
011-562-3285	6.3	438	1/20	284.2	3	4.73	10	C
011-562-3151	12	232	1/20	150.8	3	4.73	10	C
011-562-3121	15	187	1/20	121.4	3	4.73	10	C
011-562-3084	21	130	1/20	84.3	3	4.73	10	C
011-562-3043	42	66	1/20	43.0	3	4.73	10	C
011-562-3261	6.9	1005	1/8	261.0	3	10.20	10	A
011-562-3184	9.8	709	1/8	184.1	3	10.20	10	A
011-562-3111	16	428	1/8	111.1	3	10.20	10	A
011-562-3079	23	303	1/8	78.7	3	10.20	10	A
011-562-3055	33	210	1/8	54.6	3	10.20	10	A
011-562-3028	65	107	1/8	27.9	3	10.20	10	A

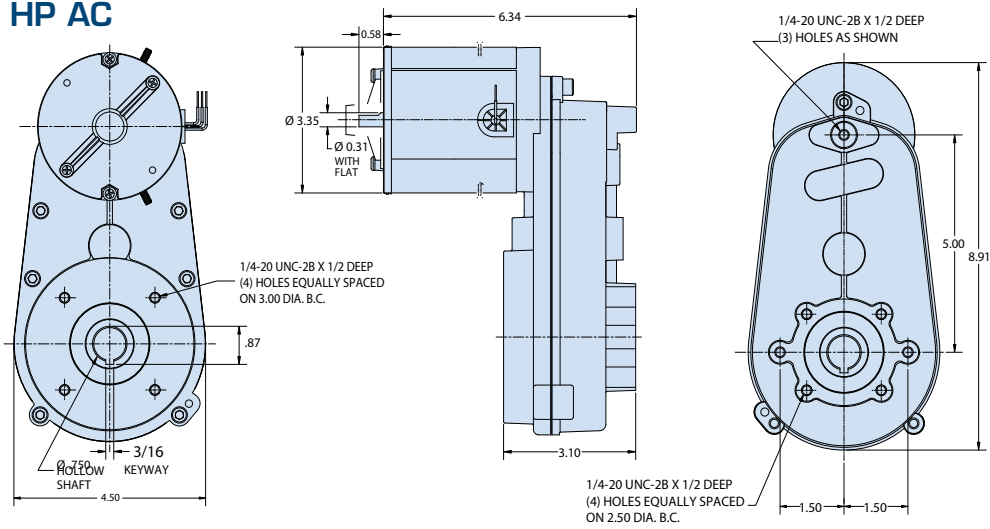
## 562 Series 90VDC

Part Number	Speed 90V (RPM)	Speed 130V (RPM)	Torque (in-lbs)	Input HP	Gear Ratio	Stages	Amps	Shipping Wt.	Brush
011-562-1397	1.3	1.9	1100**	1/20	1397.1	4	0.50	10	B
011-562-0401	4.5	6.4	620	1/20	402.2	3	0.72	10	B
011-562-0285	6.3	9	438	1/20	284.2	3	0.72	10	B
011-562-0151	12	17	232	1/20	150.8	3	0.72	10	B
011-562-0121	15	21	187	1/20	121.4	3	0.72	10	B
011-562-0084	21	31	130	1/20	84.3	3	0.72	10	B
011-562-0043	42	60	66	1/20	43.0	3	0.72	10	B
011-562-2261	6.9	9.9	1005	1/8	261.0	3	1.41	10	D
011-562-2184	9.8	14	709	1/8	184.1	3	1.41	10	D
011-562-2111	16	23	428	1/8	111.1	3	1.41	10	D
011-562-2079	23	33	303	1/8	78.7	3	1.41	10	D
011-562-2055	33	47	210	1/8	54.6	3	1.41	10	D
011-562-2028	65	93	107	1/8	27.9	3	1.41	10	D

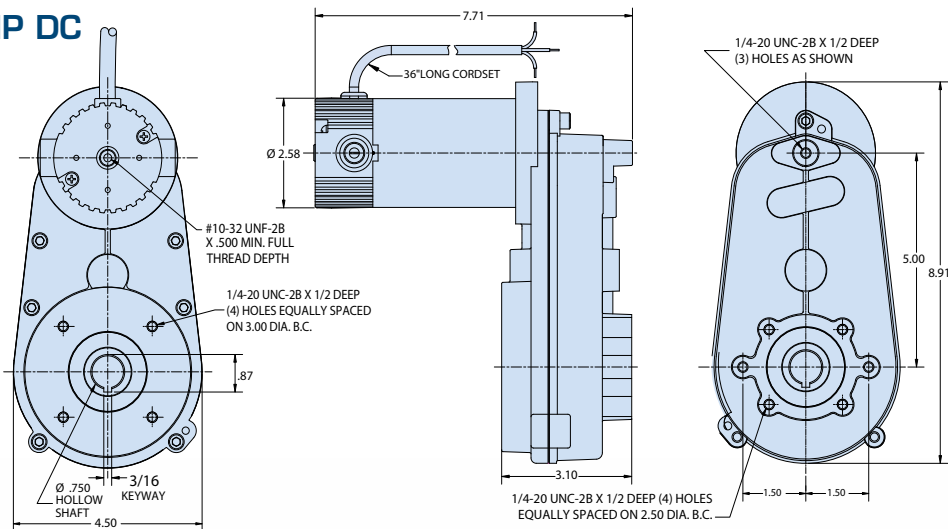
HOLLOW SHAFT  
OFFSET  
GEARMOTORS

# 562 Series Parallel Shaft AC or DC

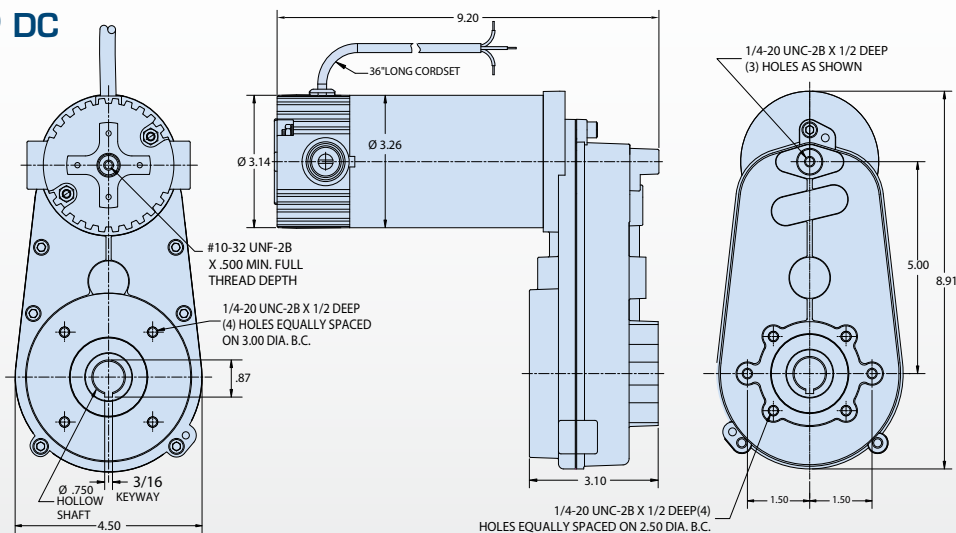
## 562 1/20 HP AC



## 562 1/20 HP DC



## 562 1/8 HP DC



HOLLOW SHAFT  
OFFSET  
GEARMOTORS