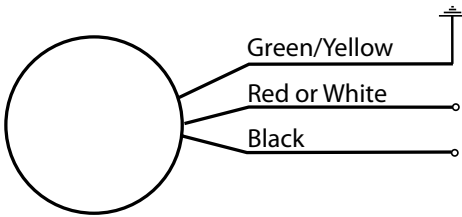


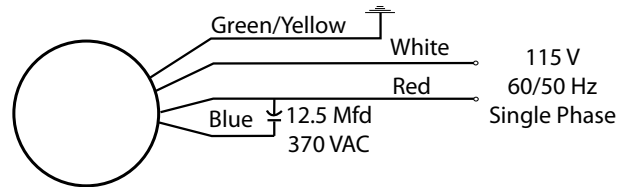
# Wiring Diagrams

## PMDC Motors



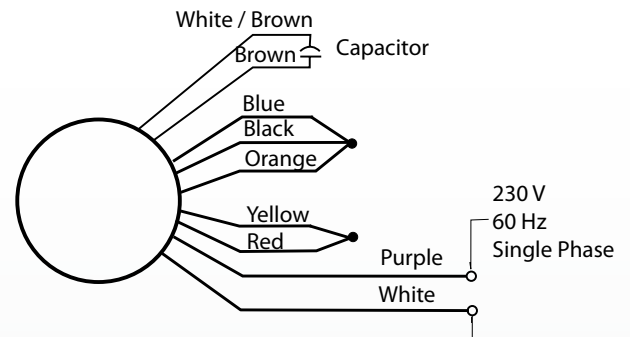
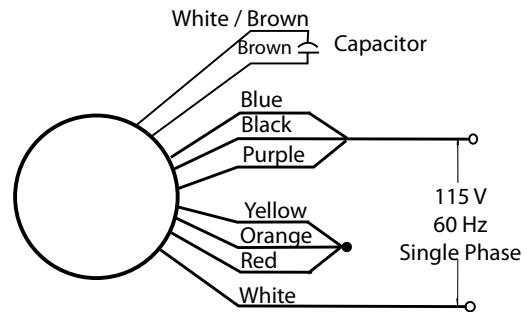
To Reverse, interchange Red and Black leads.  
Note: Some motors have white and black leads.

## 175 Series PSC 115 V 1/10 HP



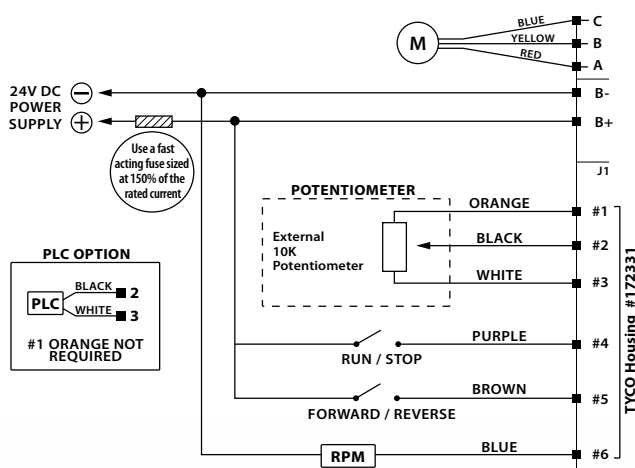
To reverse direction interchange red and blue leads.

## 175 Series PSC 115/230 V 1/20 HP

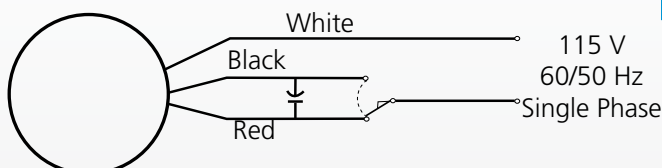


To Reverse, interchange red and blue leads.

## AUTONOmotor™



## 100 Series PSC 115 V 1/80 and 1/20 HP

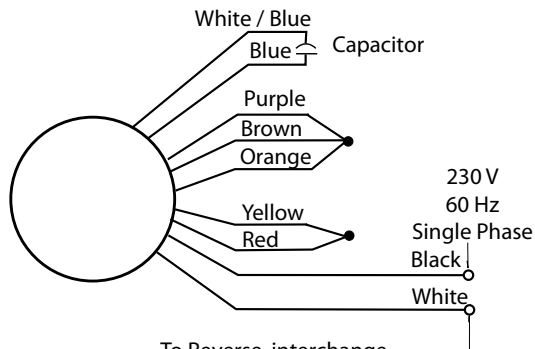
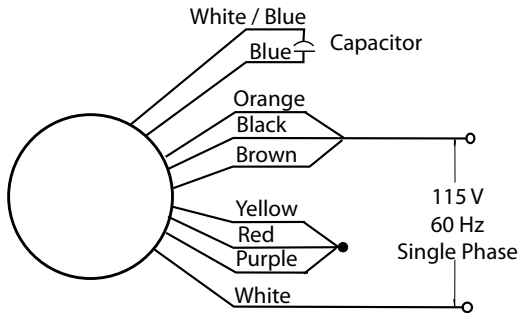


To Reverse direction interchange red and black leads.

GENERAL INFORMATION

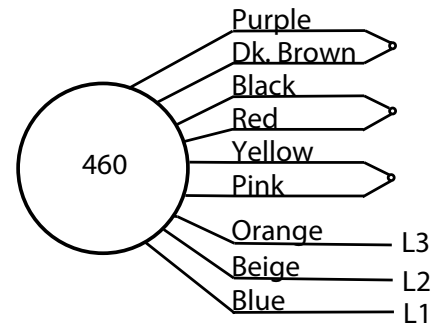
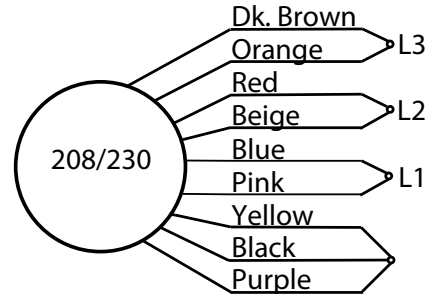
**Note:** Direction of rotation has not been listed by gearmotor part number. Rotation of direction varies on the number of stages within the specific geartrain.

### 200 and 746 Series PSC 115/230 V 1/15 HP

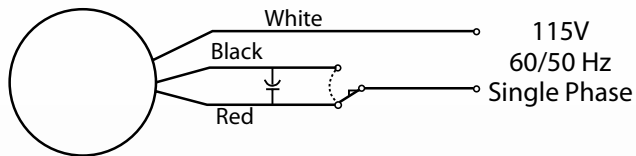


To Reverse, interchange red and brown leads.

### Three Phase 482 Series



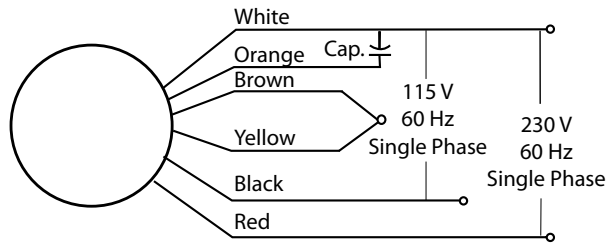
### 100mm 200 and 756 Series



To reverse direction interchange red and black leads.

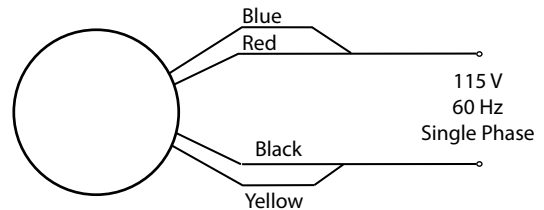
# Wiring Diagrams

## 246 and 650 Series PSC 115/230 V 1/6 HP



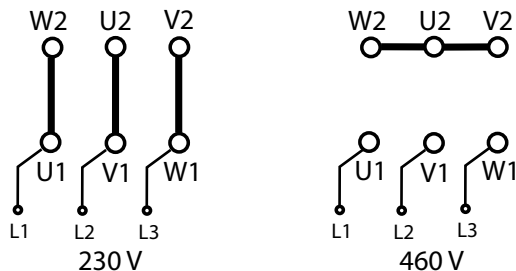
To reverse, interchange yellow and orange leads.  
Insulate Red lead for 115 V configuration.  
Insulate black lead for 230V configuration.

## 480 Series Split Phase 115 V AC 1/4, 1/3 and 1/2 HP

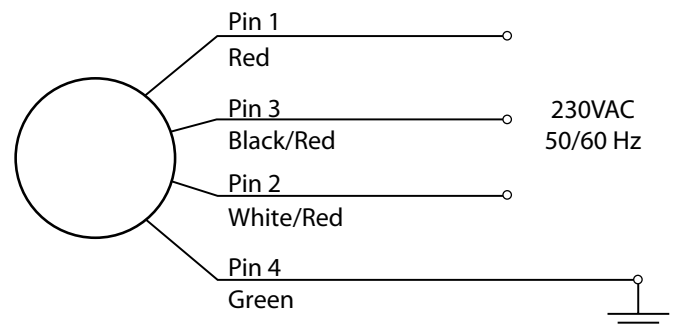


To Reverse, interchange blue and yellow leads.

## Three Phase IEC Motors and 246 Series 230-460 V Constant Speed

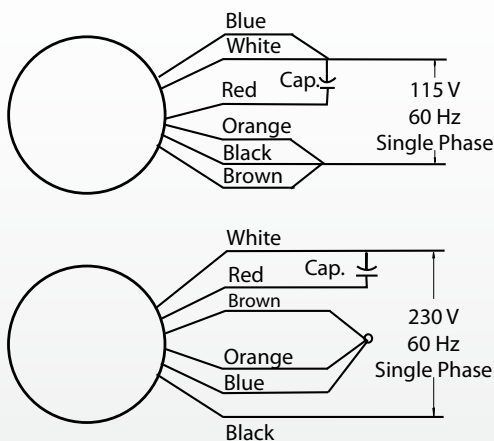


## SANIMotor™



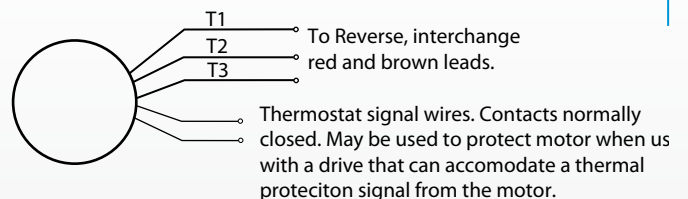
To Reverse, interchange any two motor leads

## 246 and 756 Series PSC 115/230 V 1/4 HP



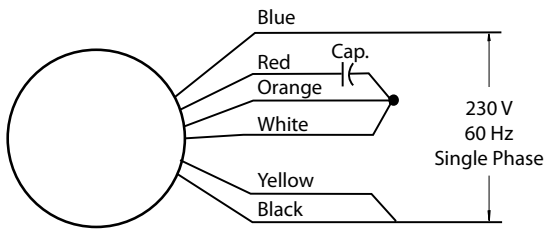
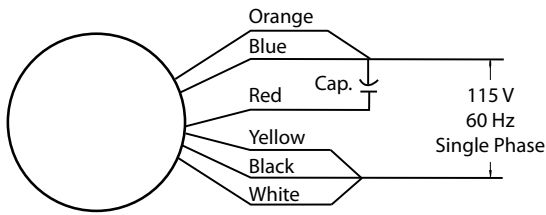
To Reverse, interchange red and brown leads.

## Inverter Duty Three Phase 230V 6 to 90 Hz



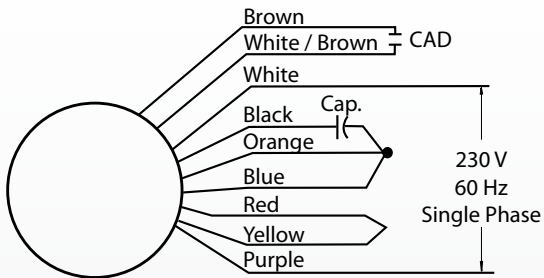
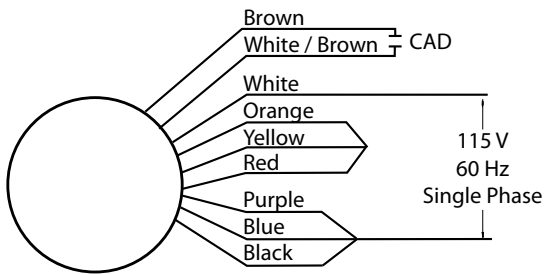
**Note:** Direction of rotation has not been listed by gearmotor part number. Rotation of direction varies on the number of stages within the specific geartrain.

### 650 Series PSC 115/230 V 1/2 HP



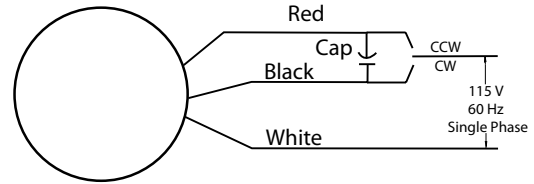
To Reverse, interchange red and black leads.

### 650 Series PSC 115/230 V 1/58 HP



To reverse, interchange blue and red leads.

### 756 Series PSC 115 V 1/8 HP



To reverse, interchange red and black leads.