

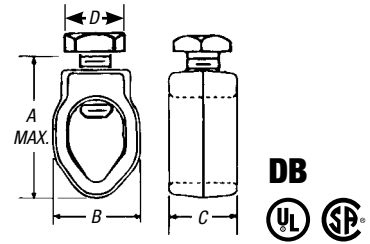
## Ground Rod Clamps

UL Listed for both copper-clad and galvanized ground rods.

### Type JWR — Wide-Range Ground Rod Clamp



- UL Listed for direct burial in earth/concrete
- Constructed from bronze alloy and high-performance stainless steel bolt
- Provides wide range of connection sizes
- More than 300 lbs. torque capacity



CAT. NO.	NOMINAL ROD DIA.		WIRE RANGE			DIMENSIONS (IN.)				
	(IN.)	(MM)	MAX.	MIN.	MAX. (MM <sup>2</sup> )	MIN. (MM <sup>2</sup> )	A (MAX.) BOLT	B	C	D
JWR	3/8*	9.5	1/0 Str.	10 Sol.	53.4	5.2	1.535	1.050	.812	.652
	1/2	12.7	1/0 Str.	10 Sol.	53.4	5.2	1.535	1.050	.812	.652
	5/8	15.8	1/0 Str.	10 Sol.	53.4	5.2	1.535	1.050	.812	.652
	3/4	19.0	1/0 Str.	8 Sol.	53.4	8.3	1.535	1.050	.812	.652

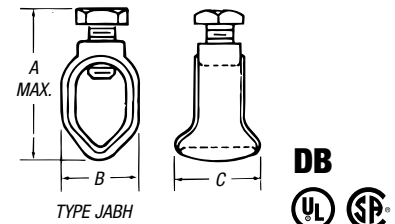
\* 3/8" rod not recognized/listed by UL.

Long bearing surface of clamp on ground wire secures ground connection.

### Type JAB — Ground Rod Clamps



- Cast of high-strength corrosion-resistant copper alloy
- Both hex head bolts and socket set screws available
- UL Listed for direct burial



CAT. NO.	NOMINAL ROD DIA.		WIRE RANGE				DIMENSIONS (IN.)						
	SOCKET SET SCREW	HEX HEAD BOLT	(IN.)	(MM)	MAX.	MIN.	MAX. (MM <sup>2</sup> )	MIN. (MM <sup>2</sup> )	A (MAX.) SOCKET SCREW	A (MAX.) HEX BOLT	SCREW THREAD SIZE UNC-2A	B	C
JAB12*	JAB12H	1/2	12.7	2 Str.	10 Sol.	33.6	5.2	1 <sup>19</sup> / <sub>32</sub>	2 <sup>3</sup> / <sub>32</sub>	7/16-14	27/32	7/8	1 <sup>19</sup> / <sub>32</sub>
JAB58	JAB58H	5/8	15.8	1/0 Str.	8 Sol.	53.4	8.3	1 <sup>27</sup> / <sub>32</sub>	2 <sup>13</sup> / <sub>64</sub>	7/16-14	29/32	1	1 <sup>11</sup> / <sub>16</sub>
JAB34	JAB34H	3/4	19.0	1/0 Str.	8 Sol.	53.4	8.3	2	2 <sup>11</sup> / <sub>32</sub>	7/16-14	1 <sup>11</sup> / <sub>16</sub>	1	5 <sup>1</sup> / <sub>64</sub>
—	JAB34C	3/4 + 5/8	15.8 to 19.0	4/0 Str.	8 Sol.	95.0	8.3	—	2 <sup>11</sup> / <sub>32</sub>	7/16-14	1 <sup>1</sup> / <sub>8</sub>	1 <sup>1</sup> / <sub>32</sub>	1 <sup>3</sup> / <sub>16</sub>
JAB1	JAB1H	1	25.0	4/0 Str.	8 Sol.	107.1	8.3	2 <sup>1</sup> / <sub>4</sub>	3	7/16-14	1 <sup>11</sup> / <sub>32</sub>	1 <sup>1</sup> / <sub>16</sub>	1

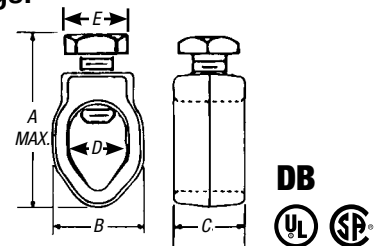
\* Not CSA listed Add suffix P to Cat. No. for tin-plated clamp.

A dependable ground connection offered at a substantial savings.

### Type G — Budget-Line Ground Clamps



- Cast of high-strength corrosion-resistant copper alloy
- Furnished with hex head bolts
- Simplified, compact design makes lasting, trouble-free connection
- UL Listed for direct burial



CAT. NO.	NOMINAL ROD DIA.		WIRE RANGE				DIMENSIONS (IN.)					
	(IN.)	(MM)	MAX.	MIN.	MAX. (MM <sup>2</sup> )	MIN. (MM <sup>2</sup> )	A (MAX.) BOLT	SCREW THREAD SIZE UNC-2A	B	C	D	E
G3*	3/8	9.5	4 Str.	10 Sol.	21.1	5.2	1 <sup>3</sup> / <sub>8</sub>	5/16-18	1 <sup>1</sup> / <sub>16</sub>	1/2	27/64	3/8
G4	1/2	12.7	2 Str.	10 Sol.	33.6	5.2	—	3/8-16	27/32	3/8	37/64	1/2
G5†	5/8	15.8	2 Str.	10 Sol.	33.6	5.2	—	3/8-16	29/32	3/8	43/64	1/2
G6	3/4	19.0	2 Str.	10 Sol.	33.6	5.2	—	3/8-16	1 <sup>1</sup> / <sub>16</sub>	3/8	13/16	1/2

\* Not UL Listed.

† RUS Accepted.

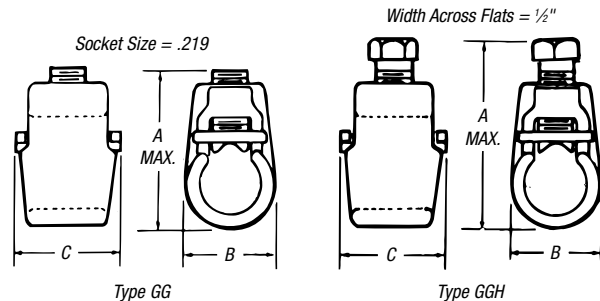
Add suffix P to Cat. No. for tin-plated clamp.

## Ground Rod Clamps

Axial groove keeps wire and rod in perfect alignment.

### Types GG and GGH — Heavy-Duty Ground Rod Clamps

- Cast of high-strength corrosion-resistant copper alloy
- Both hex head bolts and socket set screws available
- Floating pressure bar distributes pressure evenly over large area of ground wire



SOCKET SET SCREW	HEX HEAD BOLT	CAT. NO.*	NOMINAL ROD DIA. (IN.) (MM)	WIRE RANGE				DIMENSIONS (IN.)					
				MAX.	MIN.	MAX. (MM <sup>2</sup> )	MIN. (MM <sup>2</sup> )	A (MAX.)	A (MAX.)	SCREW THREAD SIZE UNC-2A	B	C	
		GG12	1/2	12.7	2 Str.	8 Sol.	33.6	8.3	1 1/64	1 1/16	7/16-14	2 7/32	1 5/16
		GG58	5/8	15.8	2 Str.	8 Sol.	53.6	8.3	1 5/64	2 7/32	7/16-14	6 5/64	1 5/16
		GG34H	3/4	19.0	4/0 Str.	8 Sol.	120.6	8.3	—	3	1/2-14	1 3/8	1 1/4

\* Add suffix P to Cat. No. for tin-plated clamp. GG34H has no pressure bar or axial groove.

Drive-on design provides easy, tool-free installation, high-reliability compression-fit connection and room for one or two ground leads.

### Type DGC — Drive-On Ground Clamps

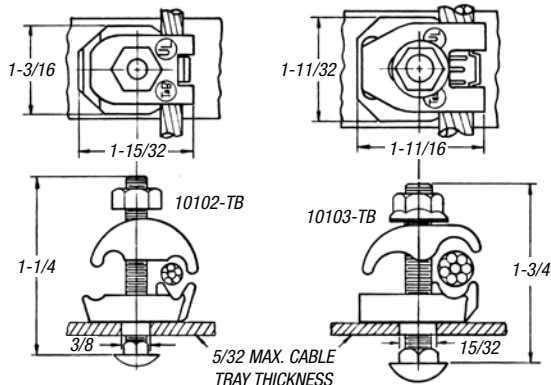
- High-strength copper alloy provides increased tensile strength and long-term corrosion resistance for direct-burial applications
- UL486A and UL467 Listed
- RUS Listed



CAT. NO.	GROUND ROD SIZE	GROUND WIRE SIZE
DGC58-44*	5/8 (.555-.565)	(1) or (2) #4 Sol.
DGC58-66*	5/8 (.555-.565)	(1) or (2) #6 Sol.
DGC58-46*	5/8 (.555-.565)	(1) #4 Sol., (1) #6 Sol.

\* RUS Listed  
\* Not UL Listed

### Grounding Connector



- Malleable iron construction
- For use on cable tray up to 5/32" thick



CAT. NO.	GROUND WIRE RANGE (AWG)	CARRIAGE BOLT SIZE
10102-TB	#8 Solid to #2 Stranded	5/16"-18
10103-TB	#4 Stranded to 4/0 Stranded	3/8"-16