

Dual-Rated Mechanical Connectors

Type ADR — ALCÜL™ Three-Conductor, Four-Hole Mount**

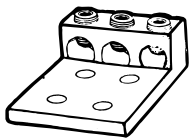


Fig. 1

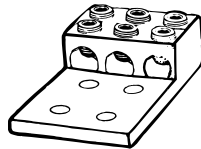


Fig. 2

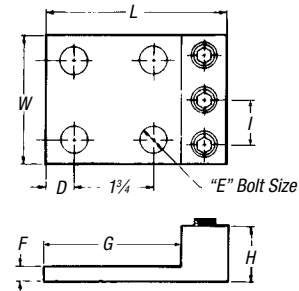


CAT. NO.	FIG.	CONDUCTOR RANGE (AL OR CU)		DIMENSIONS (IN.)								
		MAX.	MIN.	L	W	H	D	E	F	G	I	
ADR02-34	1	2 Str.	14 AWG	2 ³ / ₁₆	1 ⁵ / ₈	5 ¹ / ₈	1 ¹ / ₂	5 ¹ / ₁₆	3 ¹ / ₁₆	1 ¹ / ₁₆	3 ¹ / ₁₆	9 ¹ / ₁₆
ADR11-34	1	1/0 Str.	14 AWG	2 ²⁹ / ₃₂	2	7 ¹ / ₈	1 ¹ / ₂	3 ¹ / ₈	1 ¹ / ₄	2 ⁵ / ₃₂	4 ⁵ / ₆₄	
ADR31-34	1	3/0 Str.	6 Str.	4	2 ¹ / ₁₆	1 ¹ / ₁₆	5 ¹ / ₈	1 ¹ / ₂	5 ¹ / ₁₆	3	3 ¹ / ₃₂	
ADR25-34*	1	250 kcmil	6 Str.	4 ¹ / ₁₆	2 ¹ / ₁₆	1 ¹ / ₄	5 ¹ / ₈	1 ¹ / ₂	1 ¹ / ₄	3 ¹ / ₁₆	3 ¹ / ₃₂	
ADR35-34*	1	350 kcmil	6 Str.	4 ¹ / ₁₆	3 ³ / ₁₆	1 ¹ / ₄	5 ¹ / ₈	1 ¹ / ₂	1 ¹ / ₄	3 ¹ / ₁₆	1 ¹ / ₃₂	
ADR50-34*	1	500 kcmil	2 Str.	4 ¹ / ₁₆	3 ³ / ₄	1 ¹ / ₁₆	5 ¹ / ₈	1 ¹ / ₂	7 ¹ / ₁₆	3 ¹ / ₁₆	1 ¹ / ₄	
ADR60-34D	2	600 kcmil	2 Str.	5 ¹ / ₁₆	4 ¹ / ₁₆	1 ¹ / ₂	5 ¹ / ₈	1 ¹ / ₂	3 ¹ / ₈	3 ¹ / ₁₆	1 ¹ / ₁₆	
ADR80-34*	2	800 kcmil	300 kcmil	6 ¹ / ₁₆	4 ¹ / ₂	1 ¹ / ₈	5 ¹ / ₈	1 ¹ / ₂	9 ¹ / ₁₆	3 ¹ / ₁₆	1 ¹ / ₁₆	
ADR99-34*	2	1,000 kcmil	500 kcmil	6 ¹ / ₁₆	4 ³ / ₄	1 ¹ / ₈	5 ¹ / ₈	1 ¹ / ₂	9 ¹ / ₁₆	3 ¹ / ₁₆	1 ⁴ / ₆₄	

* UL Listed.

** NEMA Spacing: 1¹/₄" centers except ADR02-34 (7¹/₈" centers) and ADR11-34 (1" centers).
Connectors accommodating conductors 600 kcmil and larger have double row of set screws.

UL 486B, AL9CU



Type ADR — ALCÜL™ Four-Conductor, Four-Hole Mount*



Fig. 1



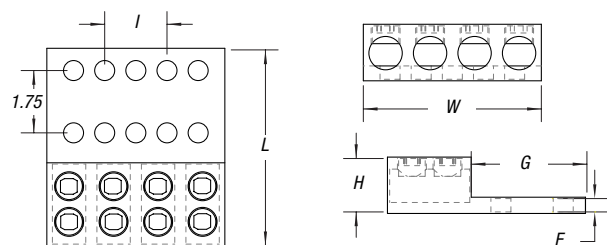
Fig. 2



CAT. NO.	CONDUCTOR RANGE		MOUNTING HOLES				G	F
	MAX.	MIN.	L	W	H			
ADR25-44	250	#6	4.00	4.06	1.19	1.75	3.00	.31
ADR35-44	350	#6	4.31	3.94	1.38	1.75	3.00	.31
ADR60-44D	600	#2	5.50	5.00	1.50	1.75	3.25	.38
ADR80-44D	800	350	5.97	6.00	1.81	1.75	3.63	.50

* NEMA Spacing: 1¹/₄" centers.

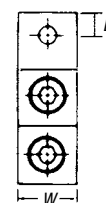
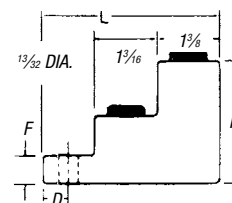
Connectors accommodating conductors 600 kcmil and larger have double row of set screws (D Suffix).



Type ASL — ALCÜL™ Two-Conductor, One-Hole Mount



CAT. NO.	CONDUCTOR RANGE (AL OR CU)		DIMENSIONS (IN.)					MTG. HOLE DIA.
	MAX.	MIN.	L	W	H	D	F	
ASL30-21	300 kcmil	6 Str.	3	1 ¹ / ₈	2	1 ⁵ / ₃₂	1 ¹ / ₂	5 ¹ / ₁₆



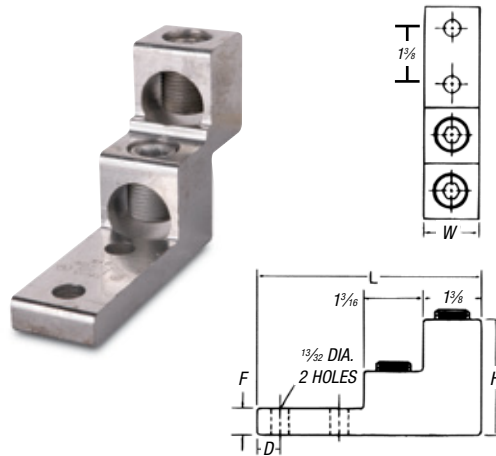
Dual-Rated Mechanical Connectors

Type ASL — ALCÜL™ Two-Conductor, Two-Hole Mount



CAT. NO.	CONDUCTOR RANGE (AL OR CU)		DIMENSIONS (IN.)				
	MAX.	MIN.	L	W	H	D	F
ASL60-22	600 kcmil	2 Str.	4 ²⁹ / ₃₂	1½	3	¾	¾
ASL75-22	750 kcmil	3/0 Str.	4 ²⁹ / ₃₂	1½	3	¾	¾

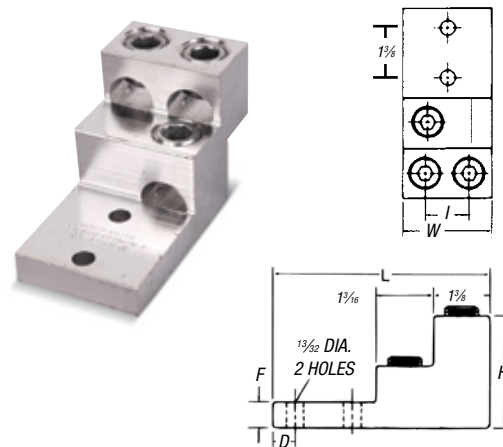
UL 486B
AL9CU



Type ASL — ALCÜL™ Three-Conductor, Two-Hole Mount



CAT. NO.	CONDUCTOR RANGE (AL OR CU)		DIMENSIONS (IN.)					
	MAX.	MIN.	L	W	H	D	F	I
ASL60-32	600 kcmil	2 Str.	4 ²⁹ / ₃₂	2½	3	¾	¾	1½
ASL75-32	750 kcmil	3/0 Str.	4 ²⁹ / ₃₂	2 ²⁷ / ₂₁	3	¾	¾	1½



Type ASL — ALCÜL™ Four-Conductor, Two-Hole Mount



CAT. NO.	CONDUCTOR RANGE (AL OR CU)		DIMENSIONS (IN.)					
	MAX.	MIN.	L	W	H	D	F	I
ASL60-42	600 kcmil	2 Str.	4 ²⁹ / ₃₂	2½	3	¾	¾	1½
ASL75-42	750 kcmil	3/0 Str.	4 ²⁹ / ₃₂	2 ²⁷ / ₂₁	3	¾	¾	1½

