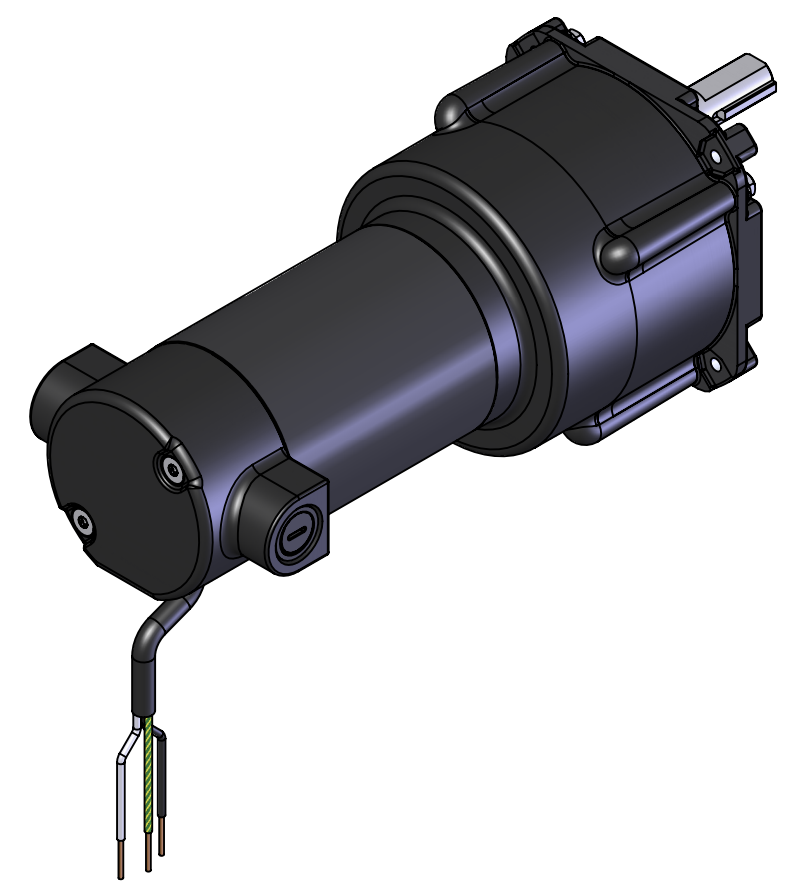
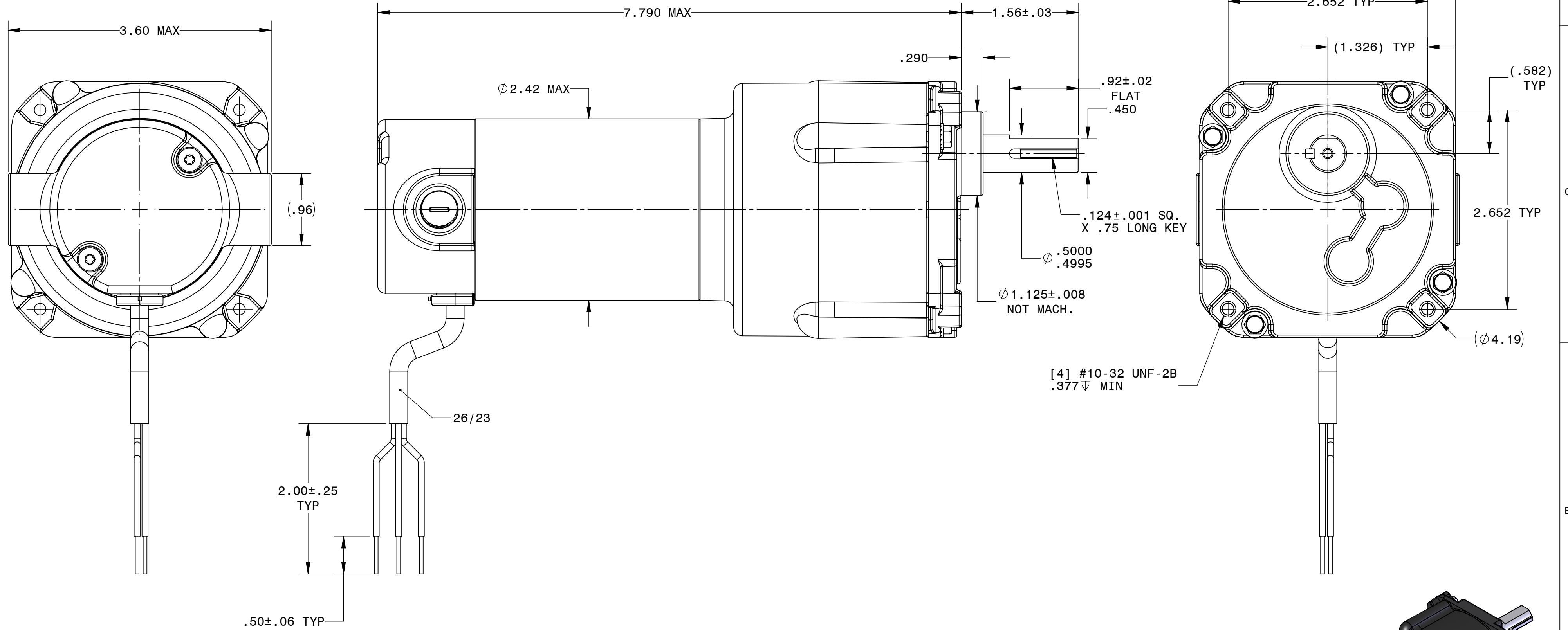


DESCRIPTION:  
GEARMOTOR 24A4BEPM-Z3/4

SHEET: 1/1  
SCALE: 1:1  
C  
UNLESS OTHERWISE SPECIFIED:  
UNITS ARE IN INCHES [mm]  
TOLERANCES: .XX:±.01 .XXX:±.005  
ANGLES: X°:±3° X.X°:±0.5°



REPRESENTATIVE OF MODEL NUMBER(S) :

0160 0161 0162 0163 4660 4661 4662 4663  
1233 1234 1235 1236 1241 1242 1243 1245