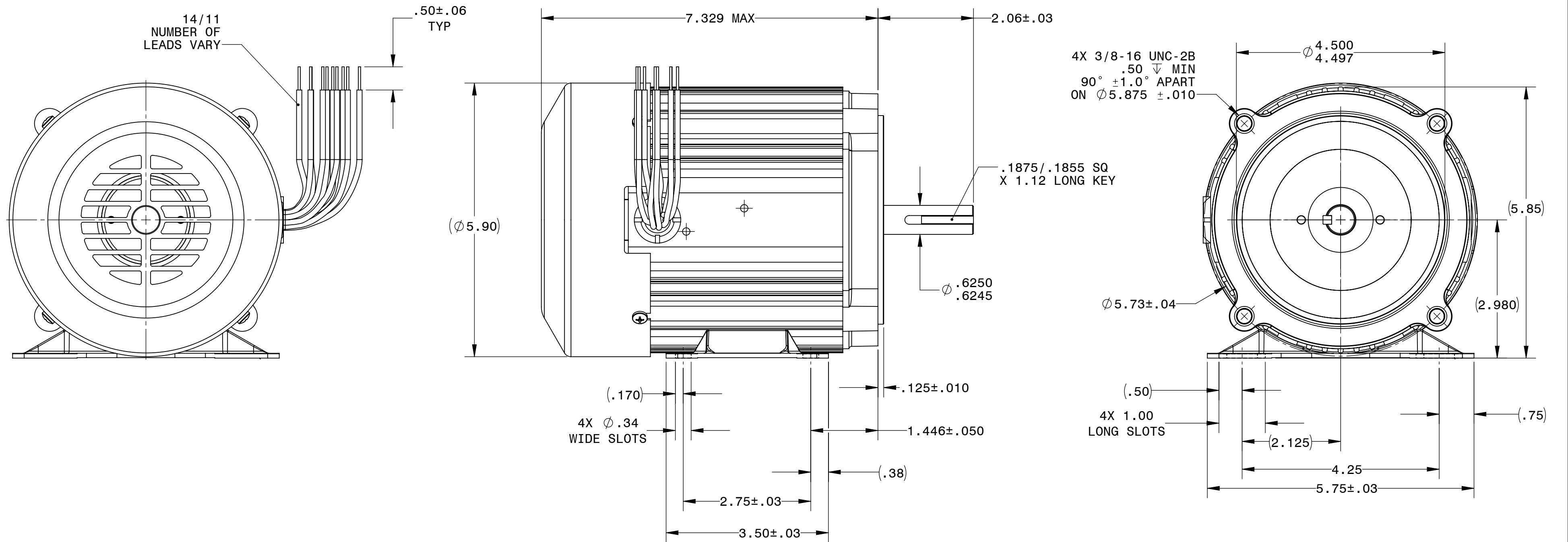




DESCRIPTION: MOTOR 48R5BFYP	
SHEET: 1/1	UNLESS OTHERWISE SPECIFIED:
SCALE: 3:5	UNITS ARE IN INCHES [mm]
C	TOLERANCES: .XX:±.01 .XXX:±.005
	ANGLES: X°:±3° X.X°:±0.5°



REPRESENTATIVE OF MODEL NUMBER(S):

0281 2244

