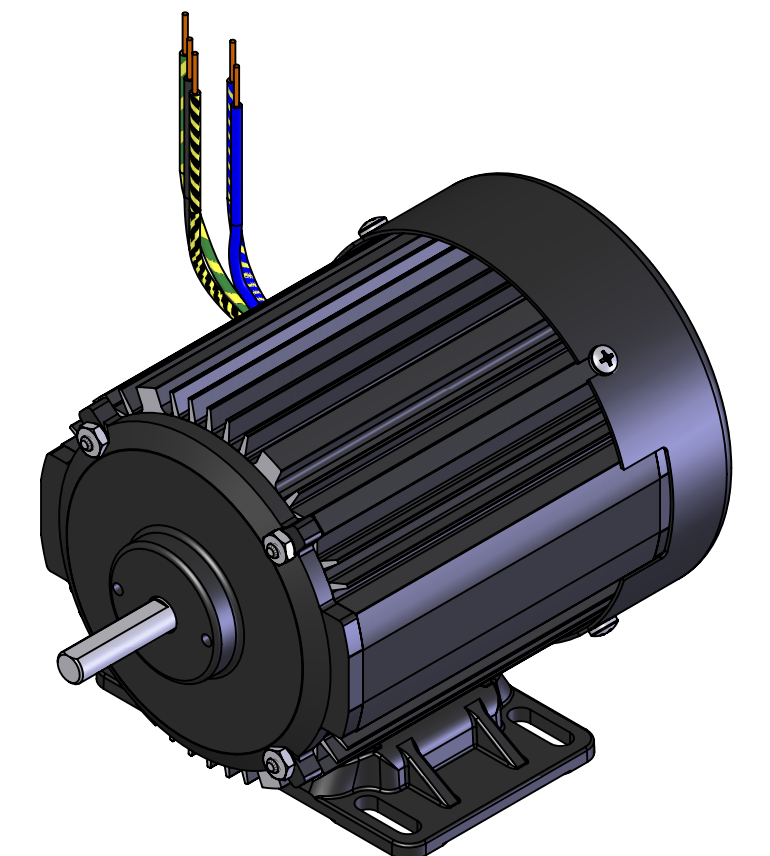
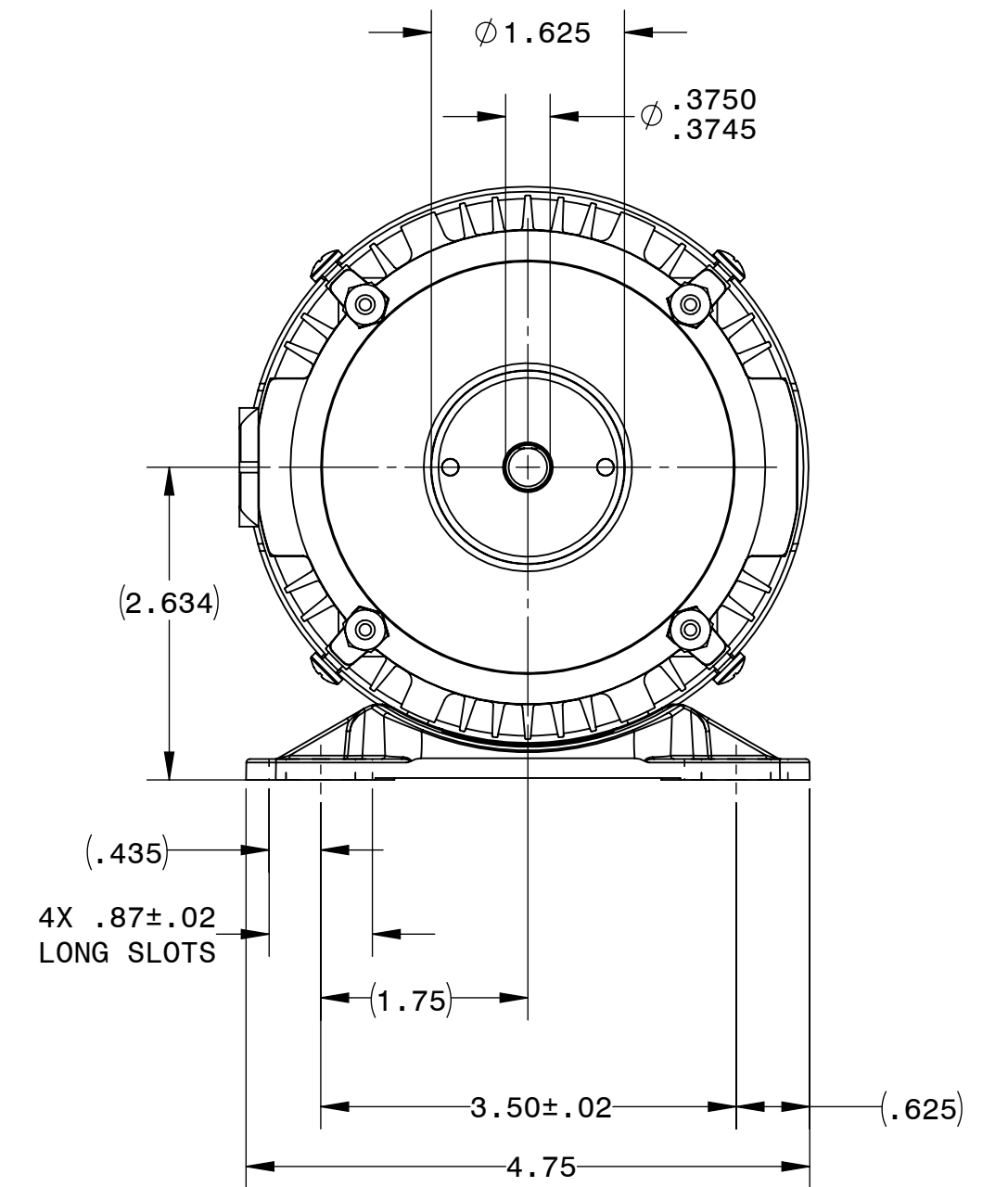
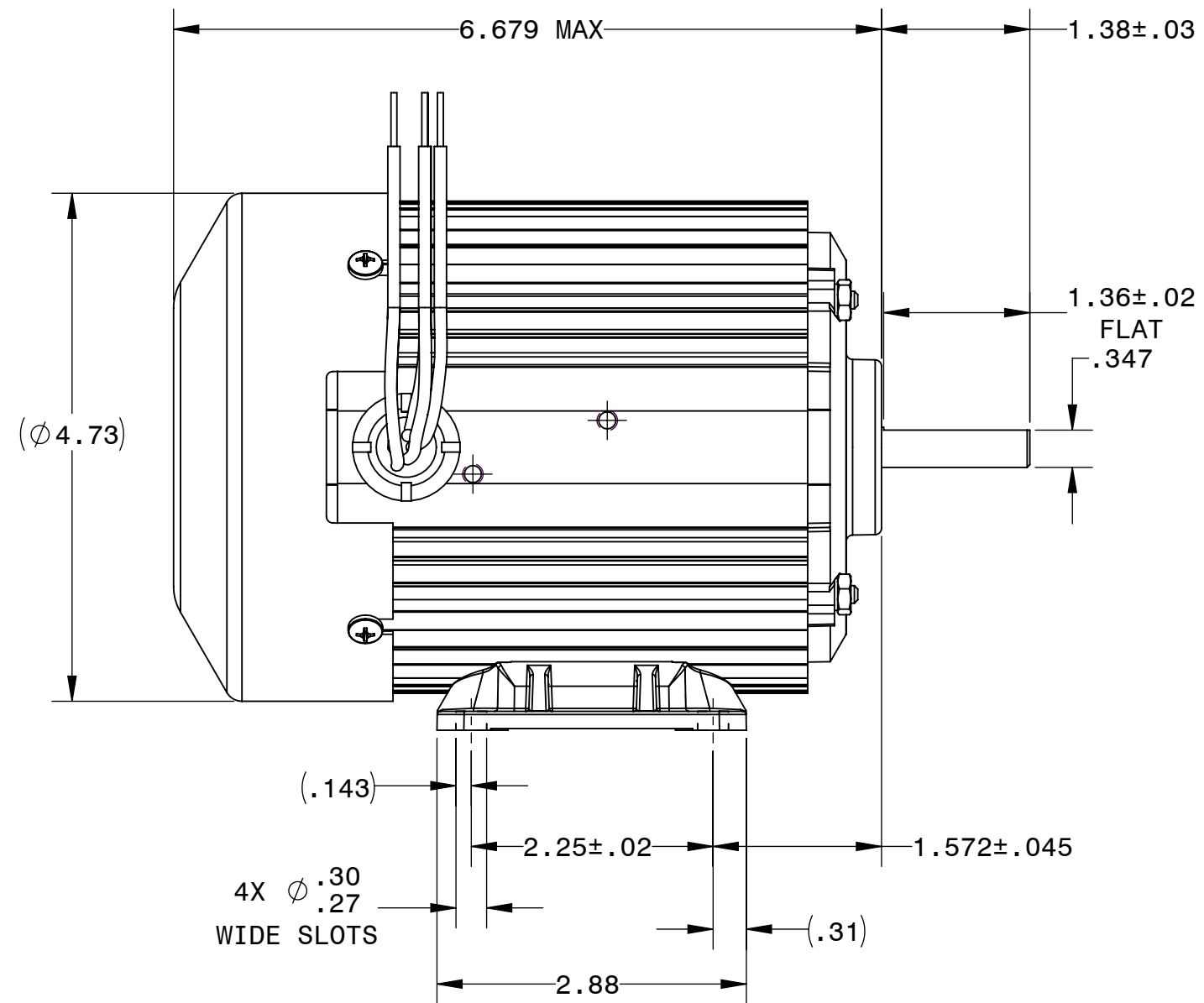
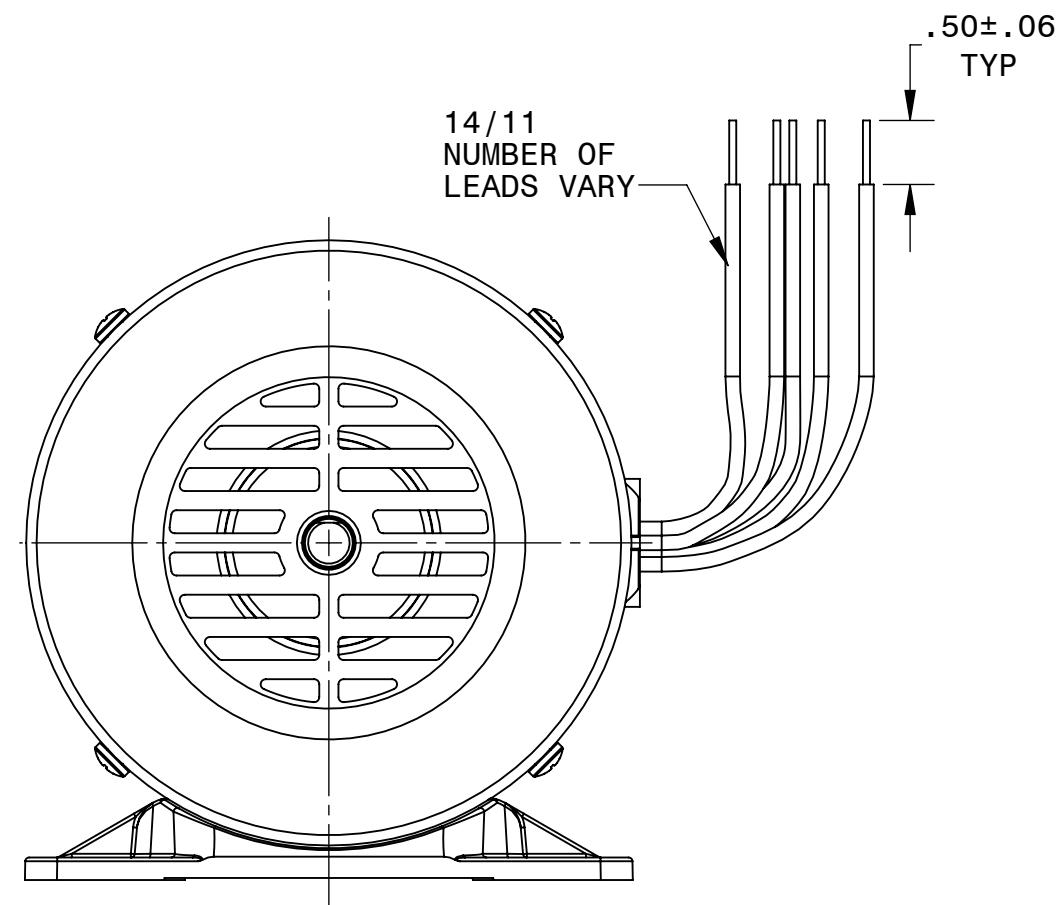




DESCRIPTION: MOTOR 42R5BF5I/CI/PP	
SHEET: 1/1	UNLESS OTHERWISE SPECIFIED:
SCALE: 2:3	UNITS ARE IN INCHES [mm]
C	TOLERANCES: .XX:±.01 .XXX:±.005
	ANGLES: X°:±3° X.X°:±0.5°



REPRESENTATIVE OF MODEL NUMBER(S):
0253 0255 0258 0273 0274