

4

3

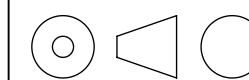
2

1

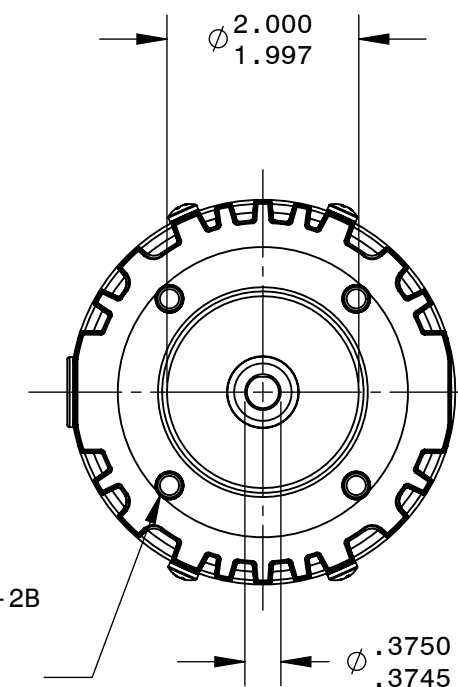
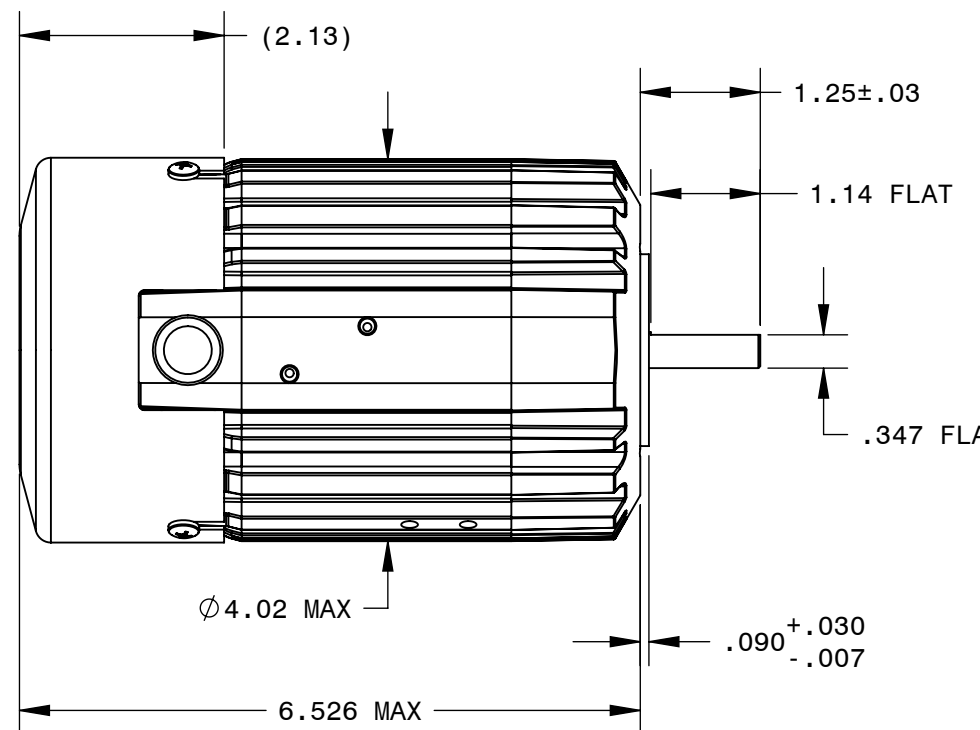
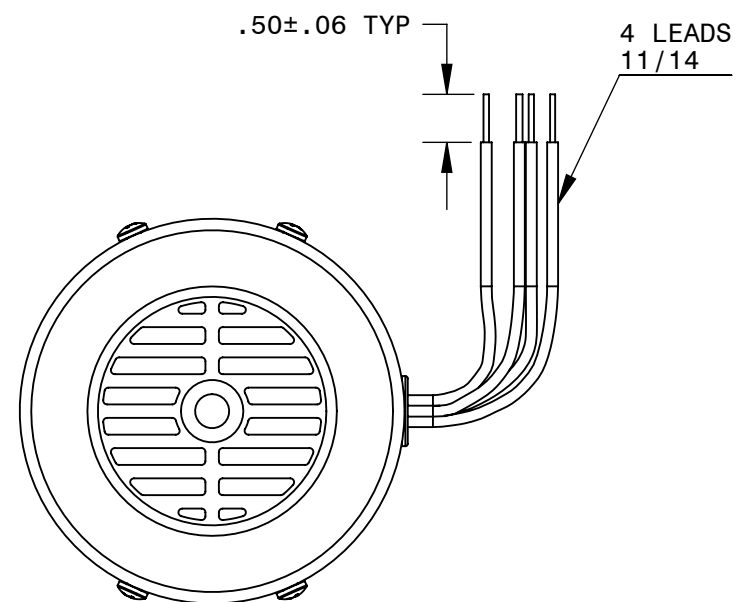
BODINE ELECTRIC COMPANY

PART NO./REV: INFM0264 A

DESCRIPTION:
MOTOR 34R6BF

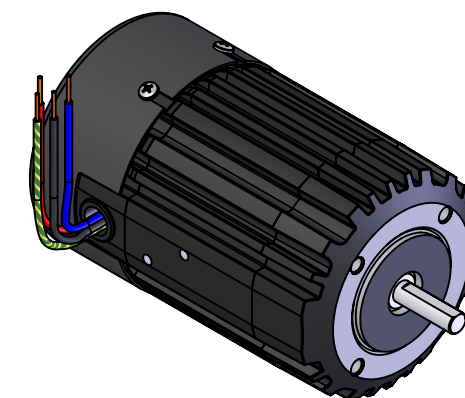


SHEET: 1/1	UNLESS OTHERWISE SPECIFIED:
SCALE: 1:2	UNITS ARE IN INCHES [mm]
B	TOLERANCES: .XX:±.01 .XXX:±.005
	ANGLES: X°:±3° X.X°:±0.5°



[4] 1/4-20 UNC-2B
 ↓ .31 MIN
 90° ±1.0° APART
 ON Ø 2.75

REPRESENTATIVE OF MODEL NUMBER(S):
 0294 0295 0296 0299 2295 2299



4

3

2

1