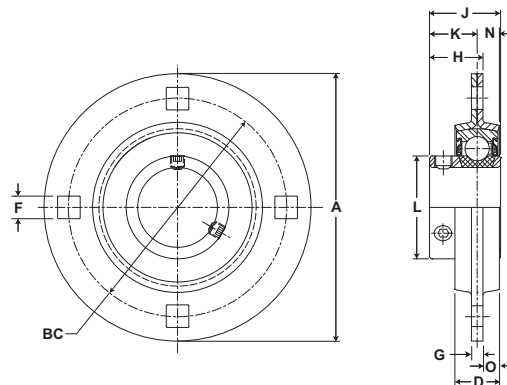


Browning[®] Mounted Ball Bearings



- Duty:** Light
- Rolling Elements:** Ball
- Housing:** Stamped Steel Four Bolt Flange
- Self Alignment:** +/- 1.5 Degrees
- Lock:** Setscrew
- Seal:** Contact
- Temperature:** -20° to 200°F
- Relube:** No



SSF4S 100 Series Light Duty Stamped Steel Four Bolt Flanges - Setscrew Locking

| Bore Diameter inch | Max Radial Load lb/N | Part No. | Bearing Insert No. | Dimensions inch / mm | | | | | | | | | | Bolt Size | Unit Wt. lb/kg |
|-----------------------|-------------------------|------------------------|--------------------|----------------------|------------------|---------------|--------------|----------------|-----------------|-----------------|-----------------|---------------|--------------|-----------|-------------------|
| | | | | A | BC | F Square | G | H | J | L | M | N | O | | |
| 1 1/2 | 1700 7562 | SSF4S-124 | LS-124 | 5 13/16 147.6 | 4 11/16 119.1 | 17/32 13.5 | 17/64 6.7 | 1 5/64 27.4 | 1 27/64 36.1 | 2 1/16 52.4 | 3 7/16 87.3 | 31/64 12.3 | 11/32 8.7 | 1/2 | 3.5 1.59 |
| 1 11/16 1 3/4 | 1700 7562 | SSF4S-127 SSF4S-128 | LS-127 LS-128 | 5 7/8 149.2 | 4 3/4 120.7 | 17/32 13.5 | 17/64 6.7 | 1 3/32 27.8 | 1 7/16 36.5 | 2 19/64 58.3 | 3 5/8 92.1 | 31/64 12.3 | 11/32 8.7 | 1/2 | 3.9 1.77 |
| 1 15/16 | 1900 8451 | SSF4S-131 | LS-131 | 6 1/8 155.6 | 5 127.0 | 17/32 13.5 | 19/64 7.5 | 1 3/16 30.2 | 1 35/64 39.3 | 2 15/32 62.7 | 3 27/32 97.6 | 1/2 12.7 | 23/64 9.1 | 1/2 | 4.0 1.81 |

Metric dimensions for reference only.
 Not all parts are available from stock. Please contact customer service for availability (800) 626-2120.
 For more information on bearing capabilities outside of our standard offering, please contact Application Engineering (800) 626-2093.