

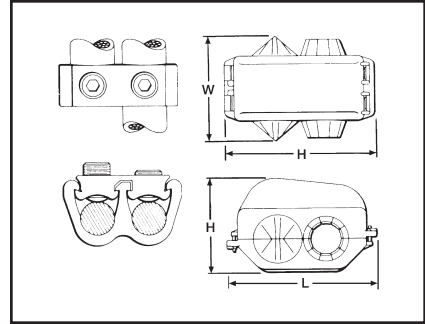
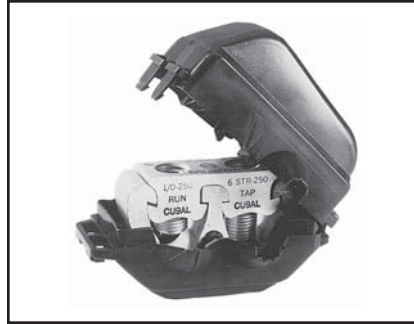
**TYPE KPU-AC**

**POLYTAP™**

**Insulated Gutter Tap for All Copper and Aluminum Combinations**

Wide range-taking tin-plated aluminum parallel clamp and insulating cover assembly for industrial and multiple story structure applications. Only six connectors cover the entire 14 Sol.-750 kcmil range. Covers having flexible fingers that conform to conductor, fully insulating the connection. UL486B Listed for 600 volts maximum 90° C service. Cover and connector are packaged together. No taping required.

600 Volt Max. 90° C



Catalog Number	Conductor Copper or Aluminum		W	H	L	Rec. Tightening ▲ Torque in-lb
	Run	Tap				
<b>KPU29A26AC</b>	1/0 -250 kcmil	14 AWG-2/0 AWG	3-1/8	3-3/8	4.24	375
<b>KPU29A29AC</b>	1/0 -250 kcmil	6 AWG-250 kcmil	3-1/8	3-3/8	4.24	375
<b>KPU34A26AC</b>	4/0 AWG-500 kcmil	14 AWG-2/0 AWG	3-1/2	3-1/2	4.58	450
<b>KPU34A34AC</b>	4/0 AWG-500 kcmil	6 AWG-500 kcmil	3-1/2	3-1/2	4.58	450
<b>KPU39A26AC</b>	500 kcmil-750 kcmil	14 AWG-2/0 AWG	3-1/2	3-83/100	5.06	600
<b>KPU39A39AC</b>	500 kcmil-750 kcmil	1/0 -750 kcmil	3-1/2	3-83/100	5.06	600

▲ Listed torque values are for maximum conductor combinations accommodated. Consult UL486 Tables 7-4, 7-5, 7-6 for smaller combinations.

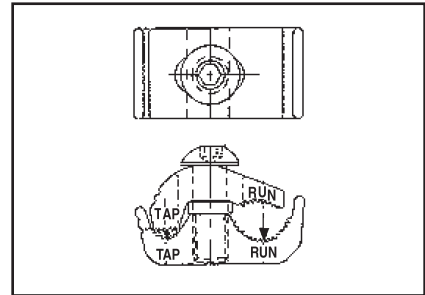
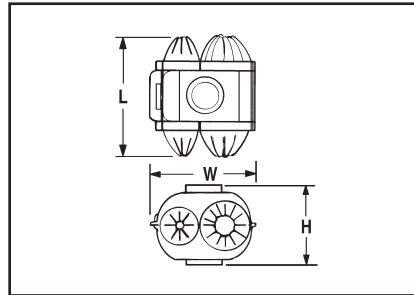
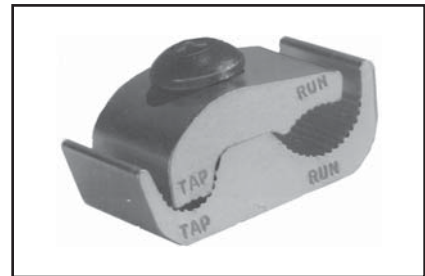
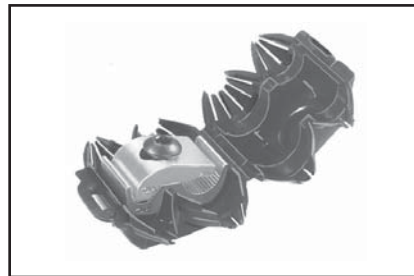
✓ See note LIGHTNING PROTECTION INFO.

**TYPE UCU-AC**

**RISER TAP**

600 VOLT MAX. 90° C MAX.

Parallel-groove riser tap and insulation cover for copper and aluminum. Wide range-taking assembly for apartment house and light industrial applications. Cover and connector are packaged together. Covers having insulating fingers that conform to conductors, fully insulating the connection. UL486B Listed for 600 volts max. 90° C service.



Catalog Number	Conductor Copper or Aluminum		W	H	L	Recommended Tightening ▲ Torque in-lb
	Run	Tap				
<b>UCU28AC</b>	#2 Str.- 4/0 Str.	#10 Sol. - #2 Str.	2-1/4	1-13/16	2-5/8	120

▲ Listed torque values are for maximum conductor combinations accommodated. Consult UL486 Tables 7-4, 7-5, 7-6 for smaller combinations.

Blue highlighted items are industry standard and most frequently ordered.