

CONDUCTOR									
COML AWG	AIRC FT MIL-W-5086 NAVY-MAL-E-16366B	CATALOG NUMBER	FIG.	O.D.	B	L ±.035	INSTALLATION TOOL INDEX NO.	REFERENCE	ORDNANCE PART NO.
22-18	AN - 22 - AN - 18 N1 - N2	YSV18	1	.12	.25	.62	36	FA19360	573173
22-18	AN - 22 - AN - 18 N1 - N2	YSV18H	2	.12	.22	.890	36	FA19361	
20-14	AN - 20 - AN - 14 N2 V2 - N4 12 SOL.	YSV14	3	.16	.25	.635	36	FA19362	573174
20-14	AN - 20 - AN - 14 N2 V2 - N4 12 SOL.	YSV14H	4	.16	.24	.94	36	FA19363	8415457
12-10	AN - 12 - AN - 10 N6 - N9	YSV10	3	.21	.31	.75	36	FA19364	573175
12-10	AN - 12 - AN - 10 N6 - N9	YSV10H	4	.21	.31	1.06	36	FA19365	
12-10	AN - 12 - AN - 10 N6 - N9	YSV10G8	4	.21	.31	1.06	36	FA39275	
8	AN - 8 STR N23	2>YSV8CG5	3	.27	.44	1.00	38	FA19580	
8	AN - 8 STR N23	2>YSV8CL	3	.27	.44	1.00	38	FA19580	7992541
	AN - 6 STR.	YSV6CL	3	.31	.50	1.12	39	FA19581	
	AN - 4 STR.	YSV4CL	3	.38	.50	1.12	40	FA19582	7689511
	AN - 2 STR.	YSV2CL	3	.46	.62	1.406	41	FA19583	
	AN - 1 STR.	YSV1CL	3	.51	.62	1.46	42	FA19584	7984500
	AN 1/0 STR.	---						---	
	AN 1/0 STR.	YSV25L	3	.56	.69	1.531	43	FA19585	
	AN 2/0 STR.	---						---	
	AN 2/0 STR.	YSV26L	3	.63	.81	1.781	44	FA19408	
	AN 3/0 STR.	---						---	
	AN 3/0 STR.	YSV27L	3	.70	.81	1.81	45	FA19624	
	AN 4/0 STR.	---						---	
	AN 4/0 STR.	YSV28L	3	.77	.88	1.94	46	FA19814	
9	AN - 9 STR.	YSV9CL	3	.23	.31	.75	92	FA13231	

REV	DATE	DESCRIPTION	ECO	BY	CHK.
A	02/16/2012	*DRP* DOCUMENT RE-DRAW PROCESS	26767	MRA	MB

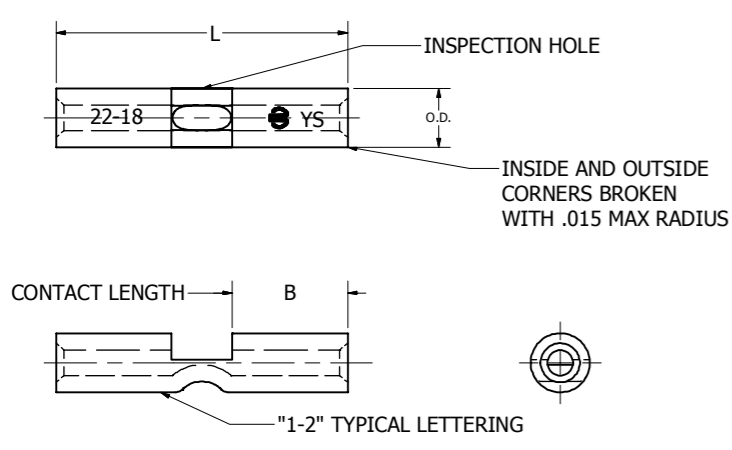


FIG. 1

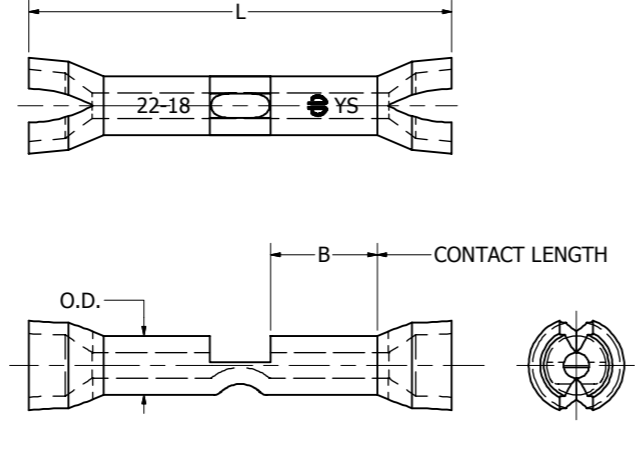


FIG. 2

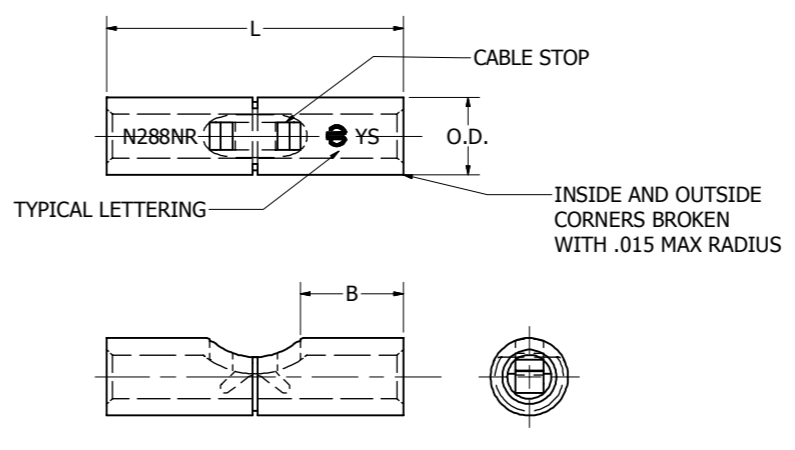


FIG. 3

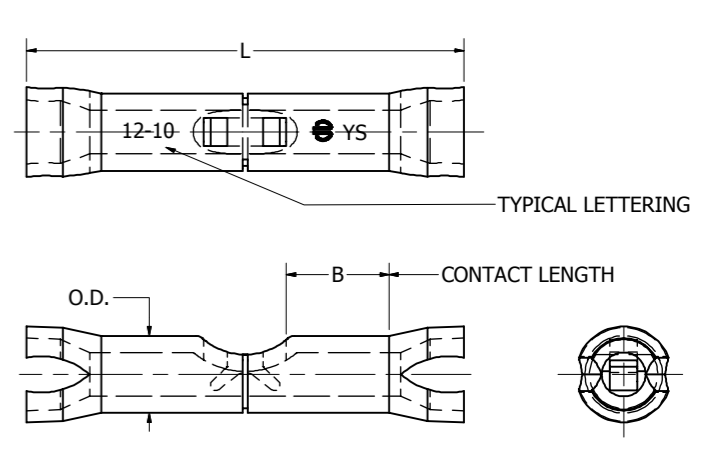


FIG. 4

REFERENCE: SC10137, SC200297.  
SUPERSEDES: SA36487-0, SC10058-33 & A9242-6.

- NOTES:
- ONE INDENTATION USED ON EACH END ON ALL CABLE.
  - NO LETTERING ON HYLINK™
  - MATERIAL: COPPER.
  - FINISH: TIN PLATED.

HYLINK™		ITEM NO: SEE TABLE
		CAT. NO: YSV, YSVL & YSVH TABLE
DRAWN BY: J.E.S	4/10/1980	
CHECKER: AM	4/14/1980	
DSN APRVL: G.Z.	4/16/1980	
MFG APRVL: --		
MKT APRVL: --		
PROJ #:	SIZE	DRAWING NO
DOCUMENT TYPE: Sales	D	SD010058-01
REL LEVEL: Released		SHEET 1 OF 1
		REV
		A