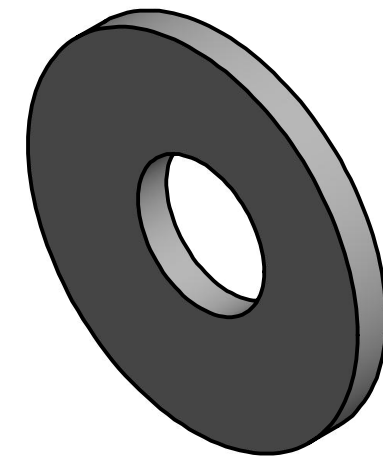
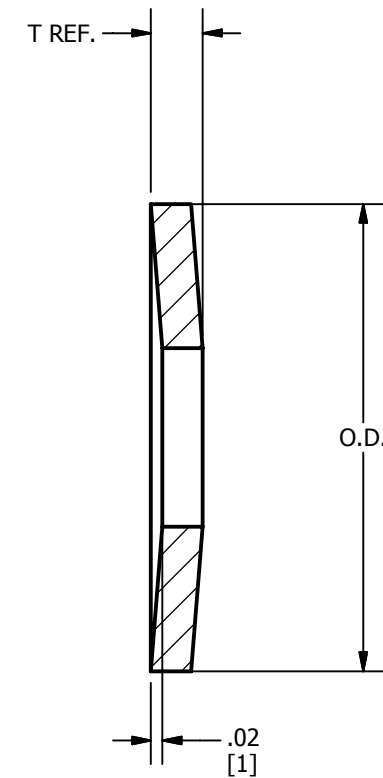
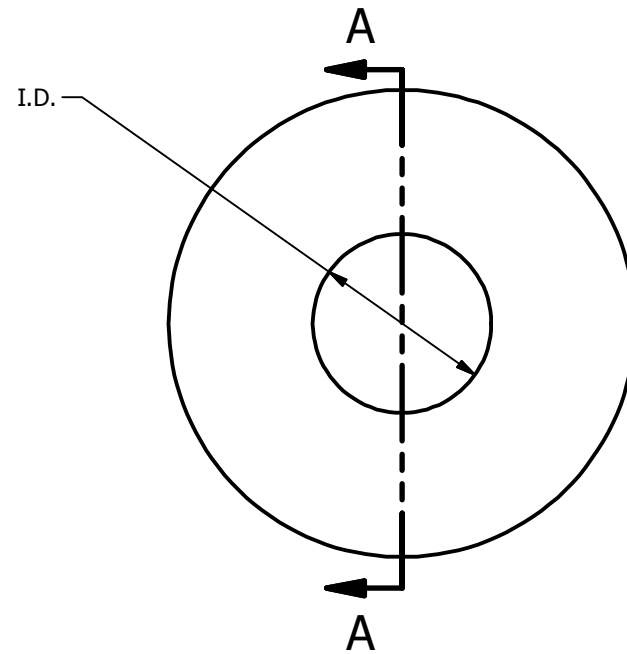


CATALOG NUMBER	ITEM NUMBER	O.D.	I.D.	THICKNESS T REF.	CAPACITY AT FLATTENED HEIGHT
50X106BWSS	060016	1.06 [27]	.50 [13]	.09 [2]	3000 LBS
38X75BWSS	060088	.75 [19]	.33 [10]	.06 [2]	1300 LBS
38X94BWSS1500	054061	.94 [24]	.38 [10]	.07 [2]	1500 LBS
516X812BWSS	50047933	.81 [21]	.31 [8]	.07 [2]	1200 LBS
25X50X024BWSS	50047934	.50 [13]	.25 [6]	.02 [1]	171 LBS
25X75BWSS	50047935	.75 [19]	.25 [6]	.03 [1]	261 LBS
50X112BWSS	10108523	1.12 [28]	.50 [13]	.12 [3]	4800-6300 LBS

REV	DATE	DESCRIPTION	ECO	BY	C'H'K.
A	08/01/2014	DRAWING RELEASED	31270	SAV	MB



NOTES:

1. MATERIAL: STAINLESS STEEL
2. DIMENSIONS IN BRACKETS [] ARE IN MILLIMETERS ROUNDED OFF TO THE NEAREST MILLIMETER, UNLESS OTHERWISE SPECIFIED AND ARE FOR REFERENCE ONLY.

TO ORDER BURNDY® PRODUCTS CALL		BELLEVILLE WASHERS	
UNITED STATES 1-800-346-4175 (LONDONDERRY, NH)		ITEM NO: SEE TABLE	
CANADA: 1-800-361-6975 (QUEBEC) 1-800-387-6487 (ALL OTHER PROVINCES)		CAT. NO: SEE TABLE	
FOR PRODUCT INFO: http://www.burndy.com		DRAWN BY: V.SATHYA 08/01/2014	
		CHECKER: J.MICHAUD 08/04/2014	
		DSN APRVL: J.MICHAUD 08/04/2014	
		MFG APRVL: --	
		QA APRVL: J.BRODEUR 08/04/2014	
		MKT APRVL: R.CAVANAUGH 08/05/2014	
PROD FAM: --	DRAWING NO	REV	
PROJECT #: --	50047932	A	
DOCUMENT TYPE: SALES	SIZE		
REL LEVEL: Released	B		
	SHEET 1 OF 1		