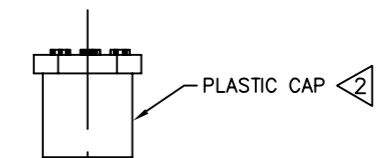
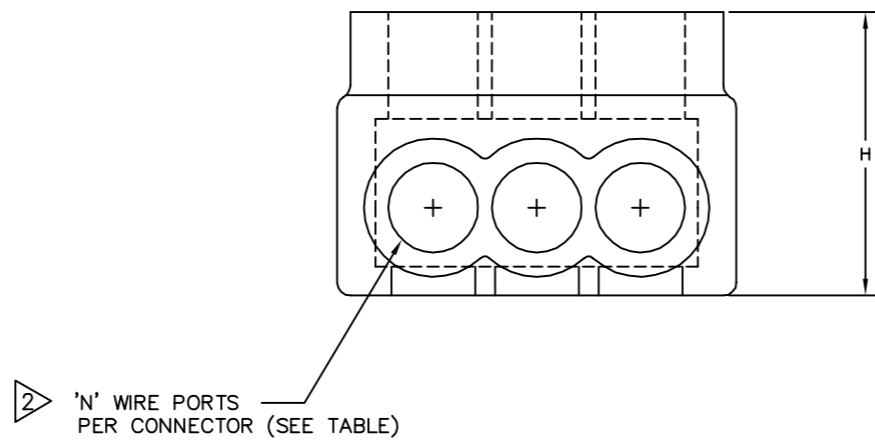
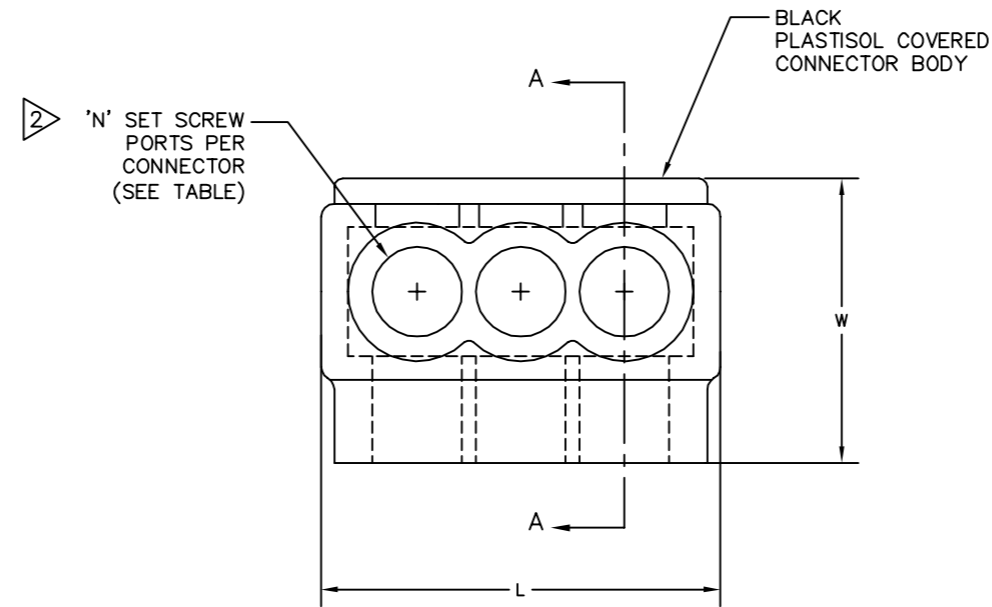


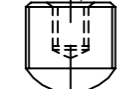
DRAWING NO.						
SD214514						
CATALOG NO.	WIRE RANGE (AWG/kcmil)	L	W	H	HEX KEY	N
1PL350-3	#10-350	3.13 [80]	2.32 [59]	2.50 [64]	5/16	3
1PL350-4	#10-350	4.04 [103]	2.32 [59]	2.50 [64]	5/16	4
1PL350-5	#10-350	4.95 [126]	2.32 [59]	2.50 [64]	5/16	5
1PL350-6	#10-350	5.86 [149]	2.32 [59]	2.50 [64]	5/16	6
1PL350-8	#10-350	7.68 [195]	2.32 [59]	2.50 [64]	5/16	8
1PL350-2	#10-350	2.47 [63]	2.32 [59]	2.50 [64]	5/16	2

REV.	DATE	DESCRIPTION	ECO	BY	C'K'D.
E	12/14/12	TORQUE VALUE INCLUDED.	29771	PB	MA

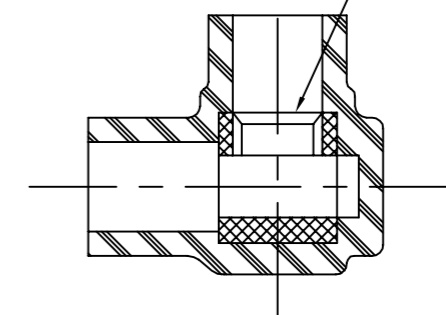
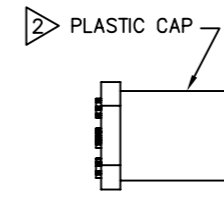
FEATURES	BENEFITS
PLASTISOL COVERED AL6061-T6 BODY	SAVES TIME, LOWERS INSTALLATION COSTS, ELIMINATES TAPING.
OXIDE-INHIBITOR IS PRE-INSTALLED	INHIBITS MOISTURE AND CONTAMINANTS FROM ENTERING THE CONTACT AREA
RANGE-TAKING	REDUCES THE NUMBER OF CONNECTORS CARRIED IN INVENTORY



ALUMINIUM SET SCREW (SET TABLE FOR HEX SIZE)



ALUMINIUM CONNECTOR BODY



SECTION A-A

NOTES:

- THIS DRAWING TO BE INTERPRETED PER ANSI Y14.5M.
- END CAPS INSTALLED ON WIRE PORTS AND SET SCREW PORTS.
- ALL CONNECTORS UL LISTED, CSA CERTIFIED FOR AL9CU, 90°C APPLICATIONS, UNLESS OTHERWISE NOTED.
- DIMENSIONS IN BRACKETS [ ] ARE IN MILLIMETERS ROUNDED OFF TO THE NEAREST MILLIMETER, UNLESS OTHERWISE NOTED, AND ARE FOR REFERENCE ONLY.
- TORQUE SET SCREWS TO 275 IN/LB.

<p>TO ORDER BURNDY® PRODUCTS CALL UNITED STATES: 1-800-346-4175 (LONDONDERRY, NH) CANADA: 1-800-361-6975 (QUEBEC) 1-800-387-6487 (ALL OTHER PROVINCES) FOR PRODUCT INFO: <a href="http://www.burndy.com">http://www.burndy.com</a></p>		UV BLACK COVERED DISTRIBUTION CONNECTORS	
		ITEM NO: N/A	
		CAT NO: 1PL350-SERIES	
		SCALE: N/A	
		DRAWN BY: D RAJKUMAR 4/24/02	
		CHECKER: K HENRY 5/23/02	
		DSN APPVL: G DITROIA 3/6/02	
		MFG APPVL: T BONINA 2/27/02	
		QC APPVL: J BRODEUR 3/5/02	
		MKT APPVL: A ZMIT 2/27/02	
		DRAWING NO	REV
		SD214514	E
		PROJECT #	SIZE
		DOCUMENT TYPE: Sales	D
		REL LEVEL: AutoCAD	
		SHEET 11 OF 13	

