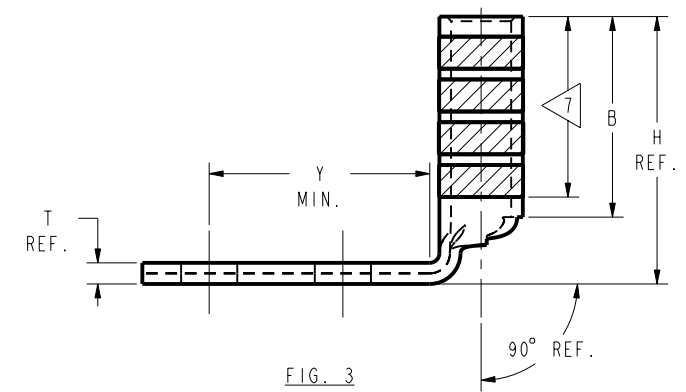
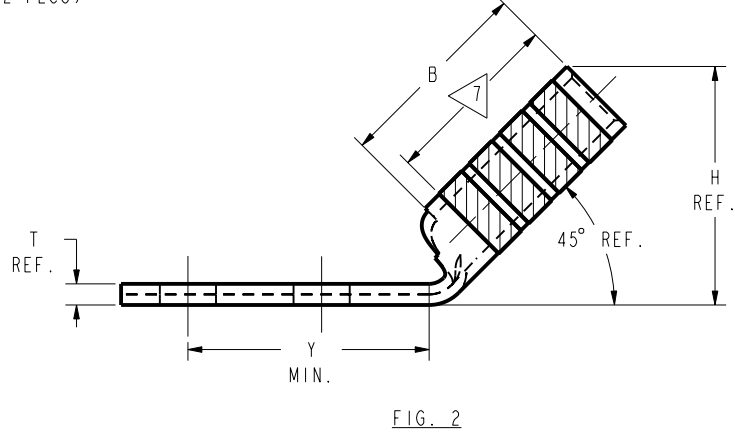
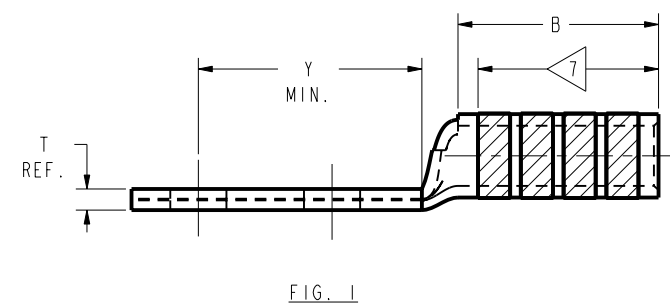
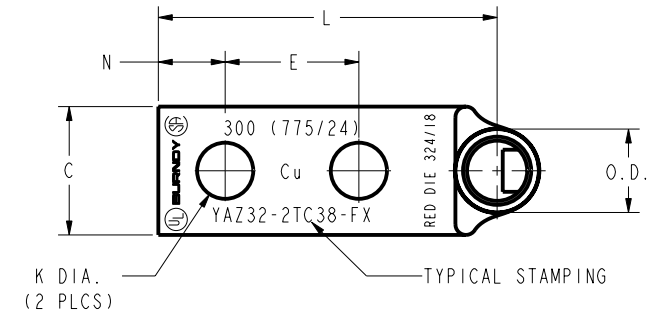
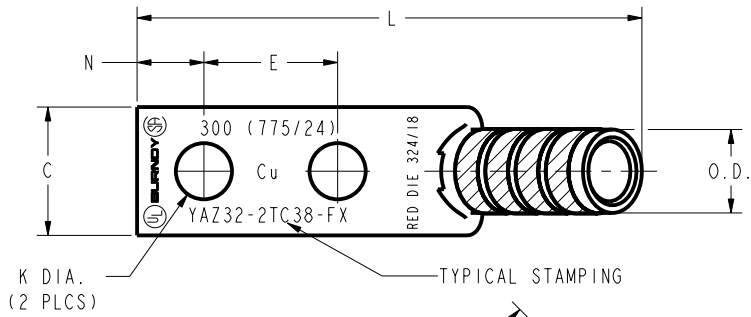
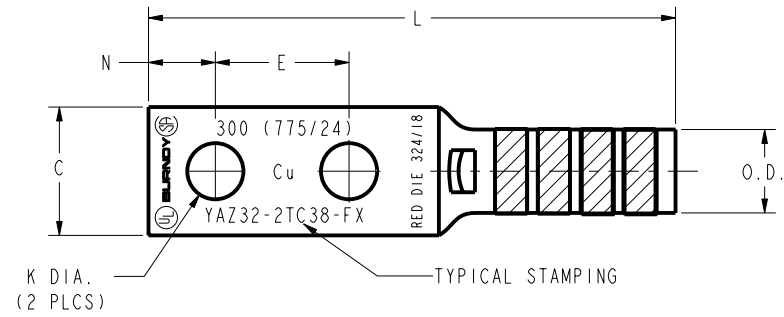


REV	DATE	DESCRIPTION	ECO	BY	C'H'K.
B	1/11/2001 12:00:00 AM	REDRAW AND CATALOG NUMBER UPDATON OF SALES DRAWINGS	17057	BSB	BSK

CATALOG NO.	CONDUCTOR		BOLT SIZE	FIG. NO.	DIMENSIONS										INSTALLATION TOOLING (# CRIMPS)																
	FLEX	CODE (AWG)			B ±.08	C +.04 -.02	E ±.02	H REF.	K DIA. ±.02	L ±.12	N ±.04	O.D. ±.01	T REF.	Y MIN.	DIE INDEX	COLOR CODE	MECHANICAL		HYDRAULIC			DIELESS (# CRIMPS)	WIRE STRIP LENGTH								
																	MD7-34R	BCT500 Y500CT	Y750 Y35, BAT35 Y39, BAT750	Y46 \triangleleft 4	Y45 \triangleleft 3										
YAZ322TC38FX	313.1 kcmil 775/24 300 kcmil FLEX	---	3/8 [M10]	1	2.12 [54]	1.40 [36]	1.00 [25]	---	.40 [10]	4.62 [117]	.41 [10]	.95 [24]	T REF.	Y MIN.	18 OR 324	RED	\triangleleft 7	\triangleleft 7	\triangleleft 7	\triangleleft 7	\triangleleft 7	HYDRAULIC: Y644, Y644M Y644MBH, (1)	2-3/16								
YAZ322TC38FX45					2			2.69 [68]		4.25 [108]					.19 [5]		1.43 [37]	W31VT (4)	W31VT W31RT (4)	U31RT (4)	U31RT (4)			U31RT (4)							
YAZ322TC38FX90					3			3.12 [79]		2.46 [62]					.19 [5]		2.40 [61]								18 OR 324	RED	\triangleleft 7	\triangleleft 7	\triangleleft 7	\triangleleft 7	
YAZ322NTCFX	313.1 kcmil 775/24 300 kcmil FLEX	---	1/2 [M12]	1	1.40 [36]	1.75 [44]	---	.56 [14]	6.56 [167]	.62 [16]	.95 [24]	T REF.	Y MIN.	18 OR 324		RED		W31VT (4)	W31VT W31RT (4)	U31RT (4)	U31RT (4)	U31RT (4)	HYDRAULIC: Y644, Y644M Y644MBH, (1)	2-3/16							
YAZ322NTCFX45							2		2.69 [68]						6.19 [157]		.19 [5]								2.40 [61]	18 OR 324	RED	\triangleleft 7	\triangleleft 7	\triangleleft 7	\triangleleft 7
YAZ322NTCFX90							3		3.12 [79]						4.39 [112]																



NOTES:

- MATERIAL: COPPER TUBING.
- FINISH: TIN PLATED.
- \triangleleft 3 CATALOG # PT6515 ADAPTOR IS REQUIRED TO USE "U" DIES IN Y45 SERIES TOOLS.
- \triangleleft 4 CATALOG # PUADP-1 ADAPTOR IS REQUIRED TO USE "U" DIES IN Y46 SERIES TOOLS.
- \triangleleft 5 PERMANENT DIE IN TOOLING.
- DIMENSIONS IN BRACKETS [] ARE IN MILLIMETERS ROUNDED OFF TO THE NEAREST MILLIMETER, UNLESS OTHERWISE NOTED, AND ARE FOR REFERENCE ONLY.
- \triangleleft 7 CRIMP (# OF CRIMPS PER TABLE) WITHIN THE LENGTH BETWEEN THE INK STAMPED CRIMPING AREA.

TO ORDER BURNDY® PRODUCTS CALL		HYLUG™ (TWO HOLE FLEX)	
UNITED STATES 1-800-346-4175 (LONDONDERRY, NH)		ITEM NO: N/A	CAT. NO: YAZV32-... (TABLE)
CANADA: 1-800-361-6975 (QUEBEC) 1-800-387-6487 (ALL OTHER PROVINCES)		DRAWN BY: B MICHAUD 8/25/99	CHECKER: K HENRY 8/26/99
FOR PRODUCT INFO: http://www.fciconnect.com		DSN APPVL: RR TEAM 9/28/99	MFG APPVL: --
		QA APPVL: J BRODEUR 10/6/99	MKT APPVL: R ROBICHEAU 10/5/99
		PROJ #: --	SCALE: NTS
		SIZE: D	DRAWING NO: SE212273
		REL LEVEL: Released	REV: B
		SHEET 35 OF 48	

REV: PE0200