

Circuit Safe® JIC Enclosures

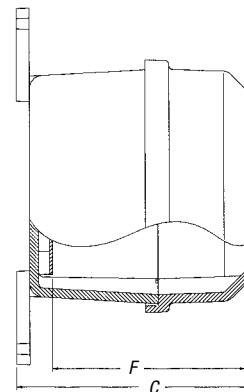
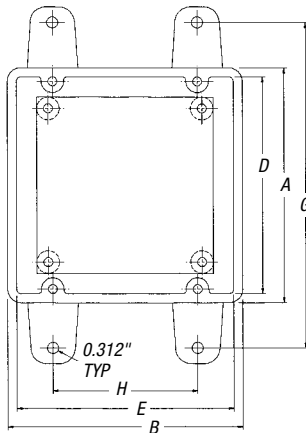
Meets NEMA 1, 3, 3S, 3X, 3SX, 4, 4X, 12, 13.



Screw-On Covers

Features:

- Non-metallic mounting feet and all mounting hardware included
- 304 (18-8) stainless steel screws (10-32/1½")
- Brass screw inserts
- Clear polycarbonate cover available
- White-painted 14-gauge steel or ¼" PVC back panel (order separately)
- Lid design provides greater usable internal volume
- Temperature range: -30° to 230° F
- Material: polycarbonate molded base and cover



Factory Assembled

OPAQUE COVER CAT. NO.	CLEAR COVER CAT. NO.	DIMENSIONS (IN.)								STD. WT. (LBS.) OPAQUE/CLEAR	BACK PANEL* CAT. NO.		PANEL SIZE (IN.)	STD. WT. (LBS.) STEEL/PVC
		EXTERNAL			INTERNAL			MOUNTING			STEEL	PVC		
		A	B	C	D	E	F	G	H					
CS665	CV665	6.50	6.50	6.69	6.00	6.00	5.45	9.00	4.00	1 (Opa 2.7)/1 (Clr 2.9)	JP66	JP66P	4.88 x 4.88	1 (1.0)/1 (0.3)
CS863	CV863	8.50	6.50	4.49	8.00	6.00	3.25	11.00	4.00	1 (Opa 2.9)/1 (Clr 2.9)	JP86	JP86P	6.75 x 4.88	1 (1.0)/1 (0.4)
CS1085	CV1085	10.50	8.50	6.69	10.00	8.00	5.45	13.00	6.00	1 (Opa 5.0)/1 (Clr 5.0)	JP108	JP108P	8.75 x 6.88	1 (1.5)/1 (0.7)
CS12106	CV12106	12.50	10.50	7.69	12.00	10.00	6.45	15.00	8.00	1 (Opa 6.5)/1 (Clr 7.2)	JP1210	JP1210P	10.75 x 8.88	1 (2.0)/1 (1.2)
CS14126	CV14126	14.50	12.50	7.72	14.00	12.00	6.48	17.00	10.00	1 (Opa 8.0)/1 (Clr 8.8)	JP1412	JP1412P	12.75 x 10.88	1 (3.2)/1 (1.7)
CS16147	CV16147	16.50	14.50	8.46	16.00	14.00	7.22	19.00	12.00	1 (Opa 11.5)/1 (Clr 10.8)	JP1614	JP1614P	14.75 x 12.88	1 (4.7)/1 (2.3)

*Order back panels separately.

Enclosures shipped with mounting feet and panel mounting hardware.