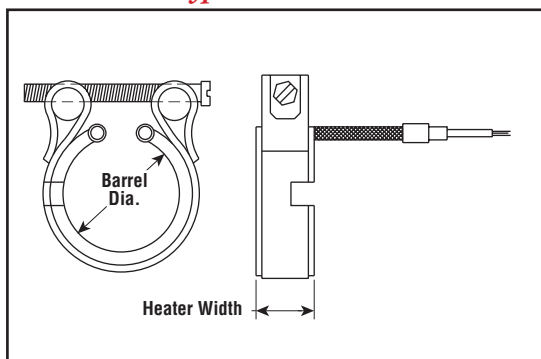


MB-1 One-Piece Mica Insulated Band Heater

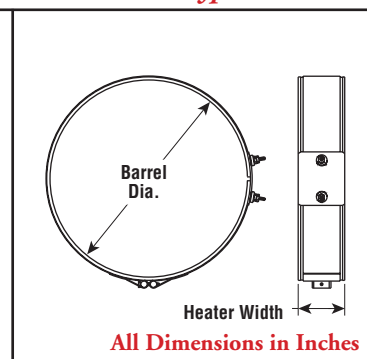


- 1 - 6-1/8" Nozzle Dia.
- 100 - 300 Watts
- 120 and 240 Volt
- Up to 800°F Max. Sheath Temp.
- Up to 600°F Max. Barrel Temp.
- Type A Leads
- Heavy Duty Anti-torque Post Terminal (type P)

Dimensions – Type A



Dimensions – Type P



All Dimensions in Inches

Applications

- Barrels and Dies of Plastic Molding Machines
- Extruders
- Autoclaves

Features

Efficient Heat Transfer is provided by high quality nickel chromium resistor wire wound on a select mica strip and enclosed in a die-formed aluminum coated steel sheath.

Long-Term Durability is assured by non-hygroscopic mica insulation.

Uniform Fit to $\pm 1/16"$.

Type A Extra Flexible Stranded Nickel Leadwire protected by means of a close-knit stainless steel braided sleeve. Standard length is 24" with 18" of braid.

Heavy Duty Stainless Steel Anti-torque Post Terminals — Standard is #10-24 threads, except for 1" wide units which have #6-32 threads.

Reliable Performance and Quick Temperature Response.

One-Piece Construction provides maximum nozzle coverage in tight spaces.

Specifications and Ordering Information

Watts	Volts	W/in ²	Dimensions (In.)		Term.	Model	Stock	PCN	Wt. (Lbs.)
			Barrel Dia.	Heater Width					
175	240	30	15/16	2	A	MBOR2A1A1	S	150009	0.2
100	120	32	1	1	A	MB1A1A1A1	S	150017	0.2
150	120	32	1	1-1/2	A	MB1A1J1A1	NS	150033	0.2
100	240	32	1	1	A	MB1A1A1A2	NS	150025	0.2
150	240	32	1	1-1/2	A	MB1A1J1A2	NS	150041	0.2
200	120	42	1	1-1/2	A	MB1A1J1A3	NS	150463	0.2
200	240	42	1	1-1/2	A	MB1A1J1A4	NS	150471	0.2
150	120	48	1	1	A	MB1A1A1A3	NS	150447	0.2
100	120	48	1	1	L	MB1A1A1L1	NS	154018	0.5
150	240	48	1	1	A	MB1A1A1A4	NS	150455	0.2
250	120	50	1	3	A	MB1A3A1A1	NS	154157	0.5
250	240	50	1	3	L	MB1A3A1L2	NS	154181	0.5
125	120	58	1	1	A	MB1A1A1A5	NS	154034	0.5
125	120	58	1	1	L	MB1A1A1L3	NS	154050	0.5
125	240	58	1	1	A	MB1A1A1A6	NS	154042	0.5
150	240	19	1-1/4	2	A	MB1E2A1A1	NS	150498	0.3
150	120	31	1-1/4	1-1/4	A	MB1E1E1A1	S	150068	0.3
150	240	31	1-1/4	1-1/4	A	MB1E1E1A2	S	150076	0.3
200	240	34	1-1/4	1-1/2	A	MB1E1J1A1	NS	150480	0.3
100	120	41	1-1/4	5/8	A	MB1EOL1A1	NS	150050	0.3
175	240	43	1-1/4	1	L	MB1E1A1L4	NS	154261	0.5
150	240	35	1-3/8	1	A	MB1G1A1A1	NS	150084	0.3
300	240	35	1-3/8	2	A	MB1G2A1A1	NS	150519	0.3
150	120	42	1-3/8	1	A	MB1G1A1A2	NS	154376	0.5
275	240	42	1-3/8	1-1/2	A	MB1G1J1A1	NS	150501	0.3
100	120	27	1-1/2	1	A	MB1J1A1A5	NS	154499	0.5
100	240	27	1-1/2	1	A	MB1J1A1A6	NS	154501	0.5
200	120	28	1-1/2	1-1/2	A	MB1J1J1A1	NS	150113	0.4
200	240	28	1-1/2	1-1/2	A	MB1J1J1A2	NS	150121	0.4
350	240	29	1-1/2	3	A	MB1J3A1A1	NS	154739	0.5
150	120	32	1-1/2	1	A	MB1J1A1A1	S	150092	0.3
150	240	32	1-1/2	1	A	MB1J1A1A2	NS	150105	0.3
300	240	32	1-1/2	2	A	MB1J2A1P1	NS	150594	0.4
250	120	35	1-1/2	1-1/2	A	MB1J1J1A3	NS	150130	0.4
250	240	35	1-1/2	1-1/2	A	MB1J1J1A4	NS	150148	0.4
225	240	38	1-1/2	1-1/4	A	MB1J1E1A1	NS	150543	0.4
275	120	39	1-1/2	1-1/2	A	MB1J1J1A5	NS	150551	0.4
275	120	39	1-1/2	1-1/2	P	MB1J1J1P1	NS	150578	0.4
275	240	39	1-1/2	1-1/2	A	MB1J1J1A6	NS	150560	0.4

Note - Check factory for optional terminations and band styles.