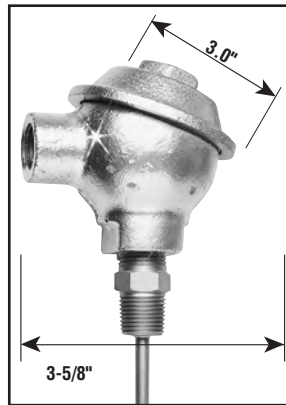


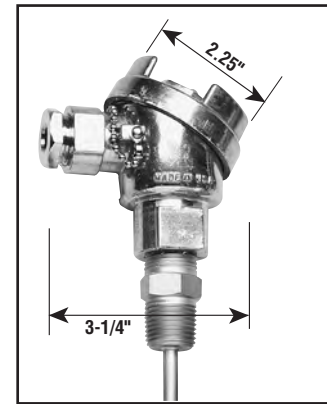
## PR RTD Probes with Connection Head

- Precision 100 Ohm Platinum RTD Element
  - Rugged Design Offers Variety of Protection Heads with 1/2" NPT Mounting Threads
  - 304 SS Sheath
  - Spring Loaded Styles Available
  - Available with PFA Teflon® Coating
  - 6, 9, 12, 18 and 24" Lengths
- 
- PR-12 — Cast Iron Protection Head with Internal Terminal Block
  - PR-14 — Miniature Aluminum Head, Screw Cover and Chain Design with Internal Terminal Block
  - PR-18 — Aluminum Head, Convenient Snap-Lock Design with Internal Terminal Block
  - PR-19 — Subminiature Aluminum Head with Internal Terminal Block

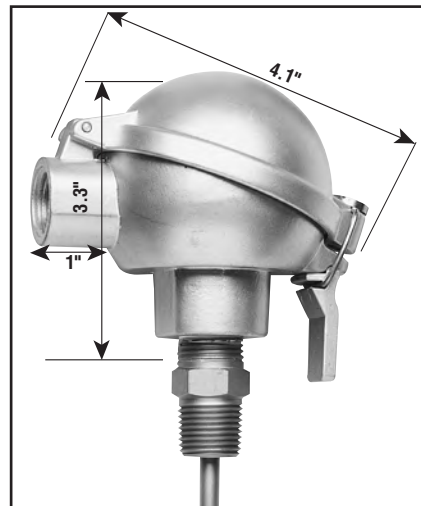
*PR-12— Cast Iron*



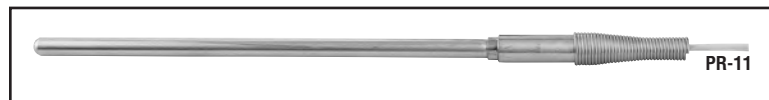
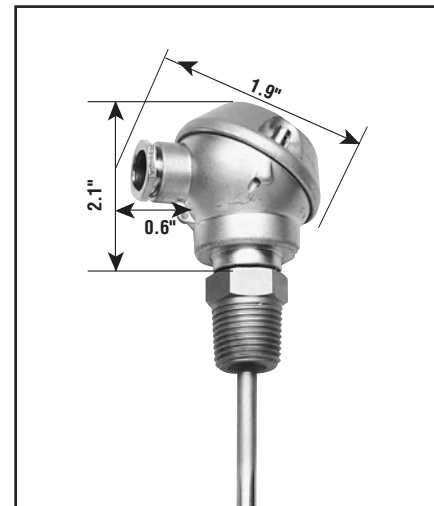
*PR-14 — Aluminum w/Screw Cover & Chain*



*PR-18 — Aluminum w/Snap-Lock*



*PR-19 — Subminiature Aluminum*



### *Stock PR-11s with Compatible Compression Fittings (SSLK)*

Model	PCN	1/8 NPT Compression Fitting	PCN	1/4 NPT Compression Fitting	PCN
PR-11-2-100-1/4-6C	308013	SSLK-14-18-TEFLON/C	308750	SSLK-14-14-TEFLON/C	308769
PR-11-2-100-1/4-12C	308021	SSLK-14-18-TEFLON/C	308750	SSLK-14-14-TEFLON/C	308769
PR-11-2-100-1/4-18C	308030	SSLK-14-18-TEFLON/C	308750	SSLK-14-14-TEFLON/C	308769

\* For details on SSLK Compression Fitting, see separate catalog sheet.

### *Stock PR-18 with Compatible Thermowells (260S, 260L)*

Model	PCN	Thermowell Match	PCN	Thermowell Match	PCN
PR-18-2-100-1/4-6-E/C	308056	3/4-260S-U4 1/2-304SS/C 3/4-260S-U4 1/2-316SS/C	308662 308697	1/2-260S-U4 1/2-304SS/C 1/2-260S-U4 1/2-316SS/C	NS NS
PR-18-2-100-1/4-12-E/C	308064	3/4-260S-U10 1/2-304SS/C 3/4-260S-U10 1/2-316SS/C	308670 308700	1/2-260S-U10 1/2-304SS/C 1/2-260S-U10 1/2-316SS/C	327361 327370
PR-18-2-100-1/4-18-E/C	308072	3/4-260S-U13 1/2-304SS/C 3/4-260S-U16 1/2-316SS/C	NS NS	1/2-260S-U13 1/2-304SS/C 1/2-260S-U13 1/2-316SS/C	NS NS
NBS-2-100-1/4-4-E-HNSL/C*	308080	3/4-260S-U2 1/2-304SS/C 3/4-260S-U2 1/2-316SS/C	308654 308689	1/2-260S-U2 1/2-304SS/C 1/2-260S-U2 1/2-316SS/C	NS NS

\*HNSL designates Spring Loaded probe

## PR

### RTD Probes with Connection Head

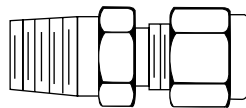
(cont'd.)

#### Ordering Information

CODE	Assembly Type			
PR-11	304SS Steel Transition with 36 inch Leadwire			
PR-12	Cast Iron Connection Head with Screw Top			
PR-14	Aluminum Connection Head with Screw Top and Chain			
PR-18	Aluminum Connection Head with Snap Lock			
PR-19	Subminiature Aluminated Connection Head with Screw Top			
CODE	RTD Type			
2-100	3-Wire, 100 OHM, Platinum RTD			
CODE	O.D. Sheath Dimensions			
116	1/16 Inch			
18	1/8 Inch			
316	3/16 Inch			
14	1/4 Inch			
CODE	Probe Length			
** -E/C	** Is Number of inches, Minimum 2" length			
PR-11	-2-100	-18	-9-E/C	Typical Model Number

## Compression Fittings

- Ferrule Design for Positive Pressure Seal
- Fits Probe Diameters from 1/16" to 1/2"
- Heavy Duty Brass or Stainless Steel Construction



*In Stock:*

Model	PCN
SSLK-18-18-TEFLON/C	308718
SSLK-18-14-TEFLON/C	308726
SSLK-316-18-TEFLON/C	308734
SSLK-316-14-TEFLON/C	308742
SSLK-14-18-TEFLON/C	308750
SSLK-14-14-TEFLON/C	308769
SSLK-18-18/C	277405

#### Ordering Information — Compression Fittings<sup>1</sup>

Probe OD	NPT Thread	316SS
1/16"	1/16"	SSLK-116-116/C
1/16"	1/8"	SSLK-116-18/C
1/8"	1/8"	SSLK-18-18/C
1/8"	1/4"	SSLK-18-14/C
3/16"	1/8"	SSLK-316-18/C
3/16"	1/4"	SSLK-316-14/C
1/4"	1/8"	SSLK-14-18/C
1/4"	1/4"	SSLK-14-14/C
5/16"	1/4"	SSLK-516-14/C
3/8"	1/4"	SSLK-38-14/C
3/8"	3/8"	SSLK-38-38/C
3/8"	1/2"	SSLK-38-12/C
1/2"	1/2"	SSLK-12-12/C

<sup>1</sup> Fittings have metal ferrules and are non-readjustable. Adjustable Teflon models are available and in stock.