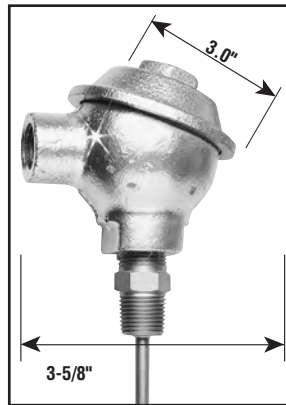


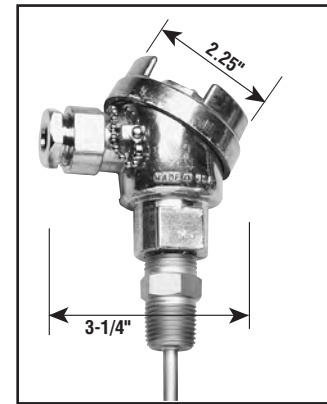
PR RTD Probes with Connection Head

- Precision 100 Ohm Platinum RTD Element
 - Rugged Design Offers Variety of Protection Heads with 1/2" NPT Mounting Threads
 - 304 SS Sheath
 - Spring Loaded Styles Available
 - Available with PFA Teflon® Coating
 - 6, 9, 12, 18 and 24" Lengths
-
- PR-12 — Cast Iron Protection Head with Internal Terminal Block
 - PR-14 — Miniature Aluminum Head, Screw Cover and Chain Design with Internal Terminal Block
 - PR-18 — Aluminum Head, Convenient Snap-Lock Design with Internal Terminal Block
 - PR-19 — Subminiature Aluminum Head with Internal Terminal Block

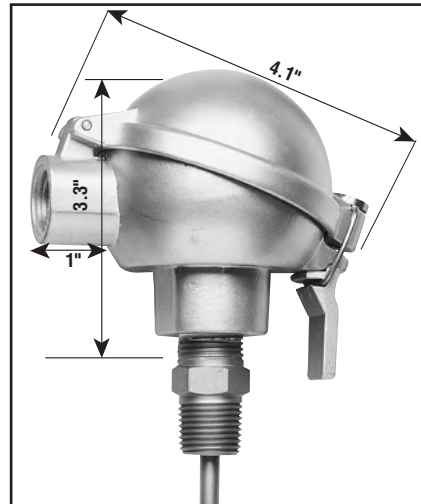
PR-12— Cast Iron



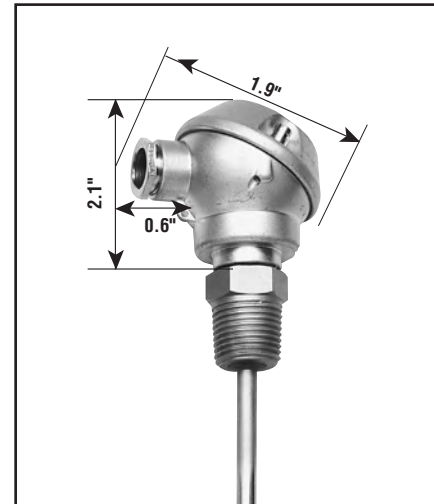
PR-14 — Aluminum
w/Screw Cover & Chain



PR-18 — Aluminum w/Snap-Lock



PR-19 — Subminiature Aluminum



Stock PR-11s with Compatible Compression Fittings (SSLK)

Model	PCN	1/8 NPT Compression Fitting	PCN	1/4 NPT Compression Fitting	PCN
PR-11-2-100-1/4-6C	308013	SSLK-14-18-TEFLON/C	308750	SSLK-14-14-TEFLON/C	308769
PR-11-2-100-1/4-12C	308021	SSLK-14-18-TEFLON/C	308750	SSLK-14-14-TEFLON/C	308769
PR-11-2-100-1/4-18C	308030	SSLK-14-18-TEFLON/C	308750	SSLK-14-14-TEFLON/C	308769

* For details on SSLK Compression Fitting, see separate catalog sheet.

Stock PR-18 with Compatible Thermowells (260S, 260L)

Model	PCN	Thermowell Match	PCN	Thermowell Match	PCN
PR-18-2-100-1/4-6-E/C	308056	3/4-260S-U4 1/2-304SS/C 3/4-260S-U4 1/2-316SS/C	308662 308697	1/2-260S-U4 1/2-304SS/C 1/2-260S-U4 1/2-316SS/C	NS NS
PR-18-2-100-1/4-12-E/C	308064	3/4-260S-U10 1/2-304SS/C 3/4-260S-U10 1/2-316SS/C	308670 308700	1/2-260S-U10 1/2-304SS/C 1/2-260S-U10 1/2-316SS/C	327361 327370
PR-18-2-100-1/4-18-E/C	308072	3/4-260S-U13 1/2-304SS/C 3/4-260S-U16 1/2-316SS/C	NS NS	1/2-260S-U13 1/2-304SS/C 1/2-260S-U13 1/2-316SS/C	NS NS
NBS-2-100-1/4-4-E-HNSL/C*	308080	3/4-260S-U2 1/2-304SS/C 3/4-260S-U2 1/2-316SS/C	308654 308689	1/2-260S-U2 1/2-304SS/C 1/2-260S-U2 1/2-316SS/C	NS NS

*HNSL designates Spring Loaded probe

PR

RTD Probes with Connection Head

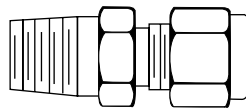
(cont'd.)

Ordering Information

CODE	Assembly Type			
PR-11	304SS Steel Transition with 36 inch Leadwire			
PR-12	Cast Iron Connection Head with Screw Top			
PR-14	Aluminum Connection Head with Screw Top and Chain			
PR-18	Aluminum Connection Head with Snap Lock			
PR-19	Subminiature Aluminated Connection Head with Screw Top			
CODE	RTD Type			
2-100	3-Wire, 100 OHM, Platinum RTD			
CODE	O.D. Sheath Dimensions			
116	1/16 Inch			
18	1/8 Inch			
316	3/16 Inch			
14	1/4 Inch			
CODE	Probe Length			
** -E/C	** Is Number of inches, Minimum 2" length			
PR-11	-2-100	-18	-9-E/C	Typical Model Number

Compression Fittings

- Ferrule Design for Positive Pressure Seal
- Fits Probe Diameters from 1/16" to 1/2"
- Heavy Duty Brass or Stainless Steel Construction



In Stock:

Model	PCN
SSLK-18-18-TEFLON/C	308718
SSLK-18-14-TEFLON/C	308726
SSLK-316-18-TEFLON/C	308734
SSLK-316-14-TEFLON/C	308742
SSLK-14-18-TEFLON/C	308750
SSLK-14-14-TEFLON/C	308769
SSLK-18-18/C	277405

Ordering Information — Compression Fittings¹

Probe OD	NPT Thread	316SS
1/16"	1/16"	SSLK-116-116/C
1/16"	1/8"	SSLK-116-18/C
1/8"	1/8"	SSLK-18-18/C
1/8"	1/4"	SSLK-18-14/C
3/16"	1/8"	SSLK-316-18/C
3/16"	1/4"	SSLK-316-14/C
1/4"	1/8"	SSLK-14-18/C
1/4"	1/4"	SSLK-14-14/C
5/16"	1/4"	SSLK-516-14/C
3/8"	1/4"	SSLK-38-14/C
3/8"	3/8"	SSLK-38-38/C
3/8"	1/2"	SSLK-38-12/C
1/2"	1/2"	SSLK-12-12/C

¹ Fittings have metal ferrules and are non-readjustable. Adjustable Teflon models are available and in stock.