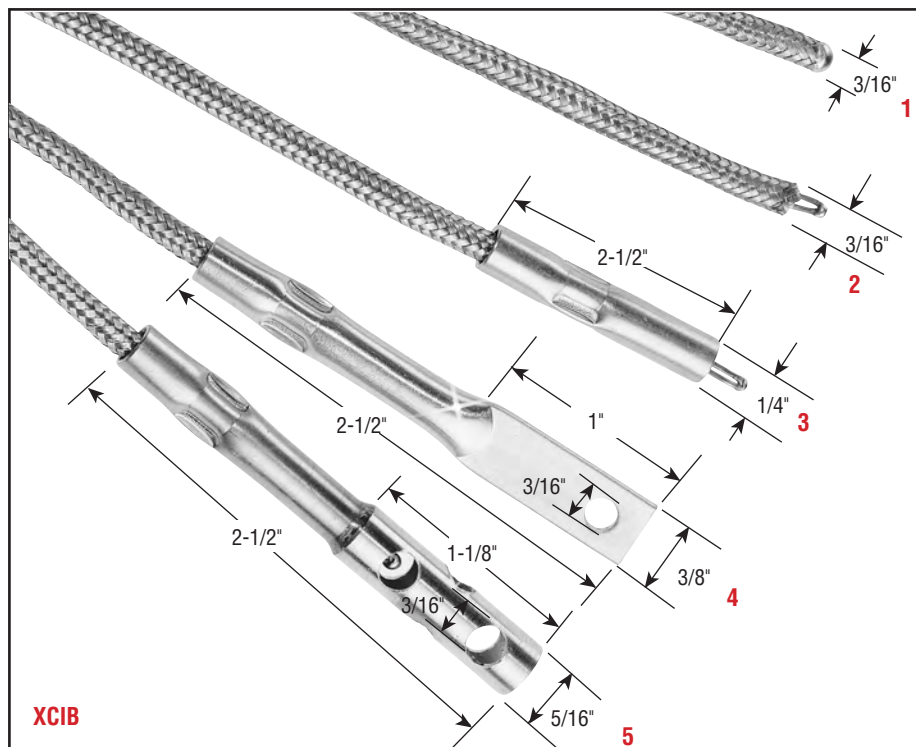


XCIB

High-Temp. Overbraided Thermocouples

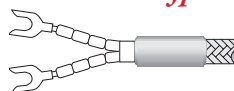
- Withstands Temperatures Up to 2000°F (1093°C)
- High Temperature Ceramic Insulation with INCONEL® Overbraid
- Standard Lengths are 3 and 10 Feet. Additional Lengths Available
- J, K or E Thermocouple Calibrations
- Grounded Junction



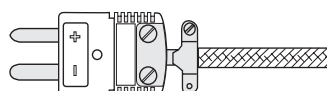
In Stock:

Model	PCN
XCIB-K-1-2-3/C	326810
XCIB-K-1-2-10/C	326828
XCIB-K-1-3-10/C	326836
XCIB-K-1-4-3/C	326844
XCIB-K-1-4-10/C	326852
XCIB-K-2-2-3/C	326860
XCIB-K-2-2-10/C	326879
XCIB-K-4-2-10/C	326887
XCIB-K-4-4-3/C	326895
XCIB-J-4-4-3/C	326908
XCIB-K-4-4-10/C	326916
XCIB-J-4-4-10/C	326924

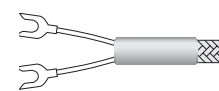
Termination Types



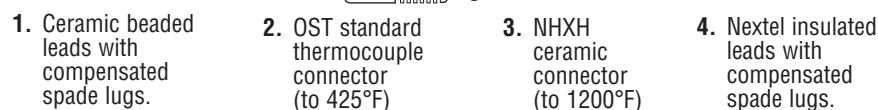
1. Ceramic beaded leads with compensated spade lugs.



2. OST standard thermocouple connector (to 425°F)



3. NHXH ceramic connector (to 1200°F)



4. Nextel insulated leads with compensated spade lugs.

Specifications and Ordering Information — XCIB

Model	Probe Style	Termination Type	Model	Probe Style	Termination Type
XCIB-(1)-1-1-(2)/C	1	1	XCIB-(1)-3-3-(2)/C	3	3
XCIB-(1)-1-2-(2)/C		2	XCIB-(1)-3-4-(2)/C		1
XCIB-(1)-1-3-(2)/C		3	XCIB-(1)-4-1-(2)/C	4	1
XCIB-(1)-1-4-(2)/C		4	XCIB-(1)-4-2-(2)/C		2
XCIB-(1)-2-1-(2)/C	2	1	XCIB-(1)-4-3-(2)/C	4	3
XCIB-(1)-2-2-(2)/C		2	XCIB-(1)-4-4-(2)/C		4
XCIB-(1)-2-3-(2)/C		3	XCIB-(1)-5-1-(2)/C	5	1
XCIB-(1)-2-4-(2)/C		4	XCIB-(1)-5-2-(2)/C		2
XCIB-(1)-3-1-(2)/C	3	1	XCIB-(1)-5-3-(2)/C	5	3
XCIB-(1)-3-2-(2)/C		2	XCIB-(1)-5-4-(2)/C		4

Note — 1. Specify thermocouple type:

2. Specify length in feet (3 or 10 Ft. standard)

J: Iron-Constantan K: Chromel-Alumel E: Chromel-Constantan