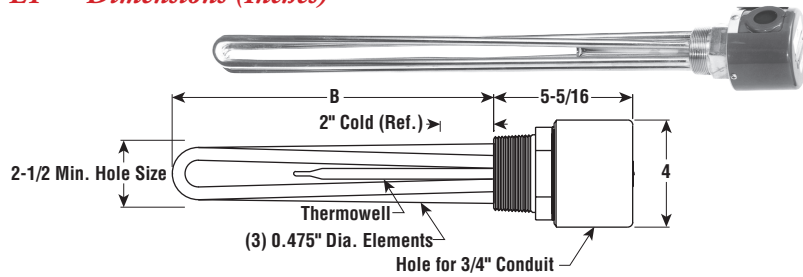


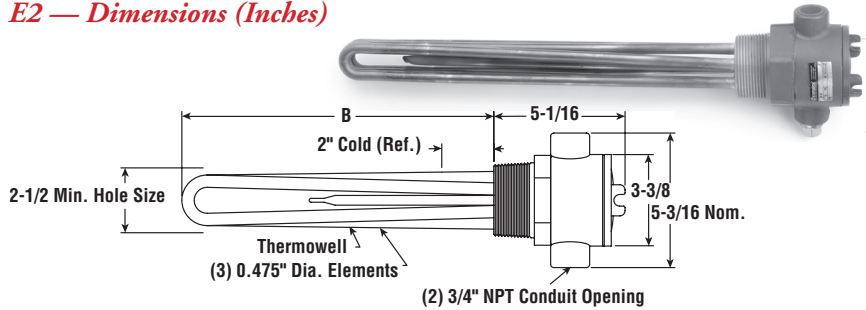
MTS-3 Process Water Applications

- 2-1/2" NPT Stainless Steel Passivated Screw Plug
- Stainless Steel Passivated Sheath Elements
- High Watt Density (46 - 53 W/in²)
- 3 - 18 kW
- Without Thermostat
- 120, 208, 240 and 480 Volt, 1 & 3 Phase
- General Purpose, Moisture Resistant/Explosion Resistant Terminal Enclosure or Moisture Resistant

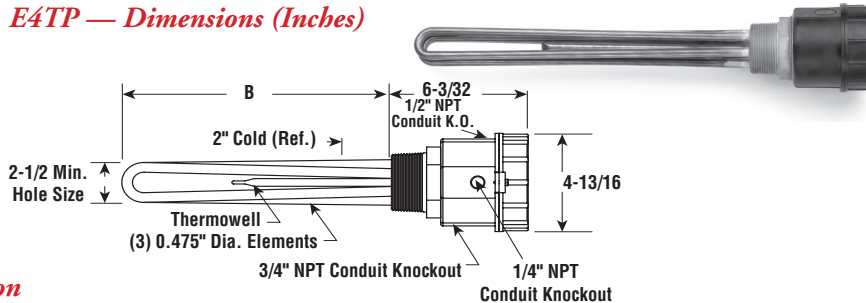
E1 — Dimensions (Inches)



E2 — Dimensions (Inches)



E4TP — Dimensions (Inches)



FASTShip

Same-day shipping on stock item orders received before 4 pm CST. 3-day shipping on assembly-stock items.

Specifications and Ordering Information

						E1 General Purpose ¹				E2 Moisture Resistant/ Explosion Resistant ²				E4 Moisture Resistant			
kW	Volts	Phase	W/in ²	No. Elem.	DIM B (In.)	Model	Stock	PCN	Wt. (Lbs.)	Model	Stock	PCN	Wt. (Lbs.)	Model	Stock	PCN	Wt. (Lbs.)
3	120	1	51	3	6-7/8	MTS-330A	NS	256954	5	MTS-330E2	NS	186757	8	MTS-330E4TP	NS	065111	5
3	208	1	51	3	6-7/8	MTS-330A	NS	186765	5	MTS-330E2	NS	186773	8	MTS-330E4TP	NS	065090	5
3	208	3	51	3	6-7/8	MTS-330A	NS	186781	5	MTS-330E2	NS	186790	8	MTS-330E4TP	NS	065103	5
3	240	1	51	3	6-7/8	MTS-330A	NS	256962	5	MTS-330E2	NS	289810	8	MTS-330E4TP	NS	065138	5
3	240	3	51	3	6-7/8	MTS-330A	NS	256997	5	MTS-330E2	NS	289828	8	MTS-330E4TP	NS	065146	5
3	480	1	51	3	6-7/8	MTS-330A	NS	256970	5	MTS-330E2	NS	310906	8	MTS-330E4TP	NS	065120	5
3	480	3	51	3	6-7/8	MTS-330A	S	257009	5	MTS-330E2	NS	289836	8	MTS-330E4TP	NS	065154	5
4.5	120	1	48	3	10-7/8	MTS-345A	NS	258360	6	MTS-345E2	NS	186802	9	MTS-345E4TP	NS	065200	6
4.5	208	1	48	3	10-7/8	MTS-345A	NS	186810	6	MTS-345E2	NS	186829	9	MTS-345E4TP	NS	065162	6
4.5	208	3	48	3	10-7/8	MTS-345A	NS	186837	6	MTS-345E2	NS	186845	9	MTS-345E4TP	NS	065170	6
4.5	240	1	48	3	10-7/8	MTS-345A	NS	192030	6	MTS-345E2	NS	289844	9	MTS-345E4TP	NS	065189	6
4.5	240	3	48	3	10-7/8	MTS-345A	S	192049	6	MTS-345E2	NS	289852	9	MTS-345E4TP	NS	065197	6
4.5	480	1	48	3	10-7/8	MTS-345A	NS	258378	6	MTS-345E2	NS	289860	9	MTS-345E4TP	NS	065218	6
4.5	480	3	48	3	10-7/8	MTS-345A	S	258394	6	MTS-345E2	NS	289879	9	MTS-345E4TP	NS	065226	6
6	120	1	48	3	16-7/8	MTS-360A	NS	192057	6	MTS-360E2	NS	186853	9	MTS-360E4TP	NS	065250	6
6	208	1	48	3	16-7/8	MTS-360A	NS	186861	6	MTS-360E2	NS	186870	9	MTS-360E4TP	NS	065234	6
6	208	3	48	3	16-7/8	MTS-360A	NS	186888	6	MTS-360E2	NS	186896	9	MTS-360E4TP	NS	065242	6
6	240	1	48	3	16-7/8	MTS-360A	NS	192065	6	MTS-360E2	NS	289887	9	MTS-360E4TP	NS	065269	6
6	240	3	48	3	16-7/8	MTS-360A	S	192102	6	MTS-360E2	NS	289895	9	MTS-360E4TP	NS	065285	6
6	480	1	48	3	16-7/8	MTS-360A	NS	192073	6	MTS-360E2	NS	289908	9	MTS-360E4TP	NS	065277	6
6	480	3	48	3	16-7/8	MTS-360A	S	192110	6	MTS-360E2	S	289916	9	MTS-360E4TP	NS	065293	6
7.5	208	1	53	3	18-11/16	MTS-375A	NS	186909	6	MTS-375E2	NS	186917	9	MTS-375E4TP	NS	065306	6
7.5	208	3	53	3	18-11/16	MTS-375A	NS	186925	6	MTS-375E2	NS	186933	9	MTS-375E4TP	NS	065314	6
7.5	240	1	53	3	18-11/16	MTS-375A	NS	192137	6	MTS-375E2	NS	289924	9	MTS-375E4TP	NS	065322	6
7.5	248	3	53	3	18-11/16	MTS-375A	S	192161	6	MTS-375E2	NS	289932	9	MTS-375E4TP	NS	065349	6
7.5	480	1	53	3	18-11/16	MTS-375A	NS	192145	6	MTS-375E2	NS	289940	9	MTS-375E4TP	NS	065330	6
7.5	480	3	53	3	18-11/16	MTS-375A	S	192170	6	MTS-375E2	S	289959	9	MTS-375E4TP	NS	065357	6
9	208	1	47	3	24	MTS-390A	NS	186941	7	MTS-390E2	NS	186950	10	MTS-390E4TP	NS	065365	7
9	208	3	47	3	24	MTS-390A	NS	186976	7	MTS-390E2	NS	186968	10	MTS-390E4TP	NS	065373	7
9	240	1	47	3	24	MTS-390A	NS	192196	7	MTS-390E2	NS	289967	10	MTS-390E4TP	NS	065381	7
9	240	3	47	3	24	MTS-390A	S	192225	7	MTS-390E2	S	289975	10	MTS-390E4TP	NS	065402	7
9	480	1	47	3	24	MTS-390A	NS	192209	7	MTS-390E2	NS	289983	10	MTS-390E4TP	NS	065390	7
9	480	3	47	3	24	MTS-390A	S	192233	7	MTS-390E2	S	289991	10	MTS-390E4TP	NS	065410	7