

## RADD

### Double Element Radiant Heater (cont'd.)

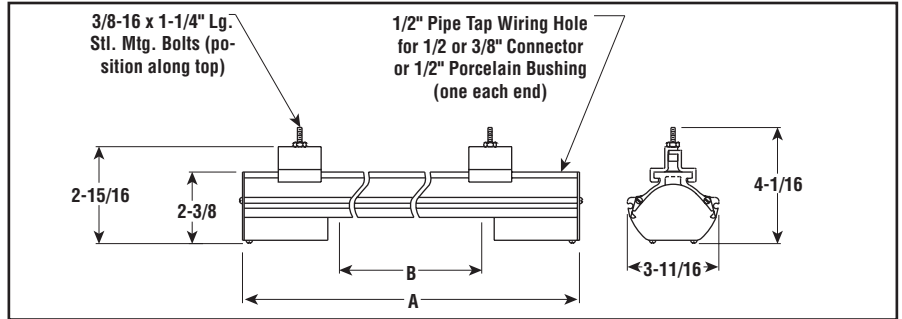


- 3.66 kW/Ft<sup>2</sup>
- 1.6 - 13 kW
- 120, 208, 240, 275 and 480 Volt
- 3/8" Dia. INCOLOY® Sheath Elements (Type RTU)
- 1500°F Max. Sheath Temp.

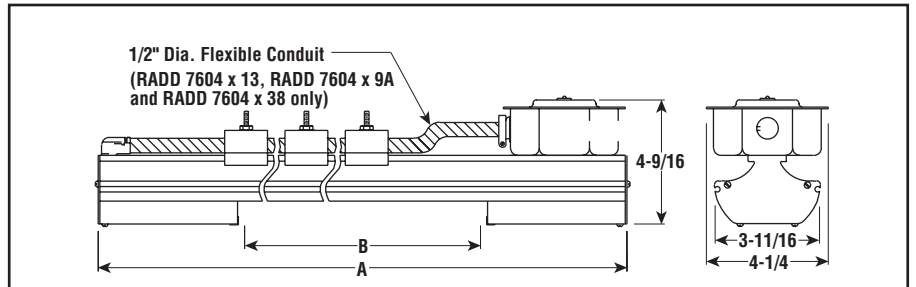
#### Applications

- Shrink Fitting
- Preheat Glass for Polishing, Drying, Sterilizing
- Fast-Moving Webs

#### Dimensions (Inches)



#### Dimensions (Inches)



#### Features

**Complete, Ready-to-Connect Assembly** available in various lengths to accommodate work of varying dimensions.

**Movable Mounting Clamps and Bolts** are supplied to accommodate many mounting configurations such as banks, tunnels and oven sections.

**Process Temperature Control** — Radiant heater output may be controlled with Chromalox SCR Controllers, Percentage Timing Input Controls and Non-Contact Temperature Sensors. See the Controls section of this catalog.

**Additional Sizes and Ratings** — Contact your Local Chromalox Sales office for price and availability.

**Single Ended Wiring** — Heaters may be furnished single-end wired with 18" leads as standard. Add the suffix SE to model number.

#### Construction

**Enclosed Chromalox Alloy-Sheath Tubular Heating Element** is completely isolated and supported on secondary insulation for improved electrical safety. Designed for long life, the element is more resistant to hard blows than quartz lamp or tube and open coil types.

**Rigid Extruded Aluminum Housing** protects heating element from harsh industrial environments.

**Highly Polished Aluminum Reflectors** give good reflectivity and heat transfer, and are easily cleaned to maintain energy efficiency.

#### Accessories

**Protective Grille** — Optional snap-in sections help protect personnel and work from contact with hot elements.

**Companion Reflector** — Optional radiant companion reflectors improve oven efficiency. See Radiant Accessories in this section.

**Pipe Plug** — Used to close tapped wiring entry holes. See Radiant Accessories in this section.

METAL SHEATH  
RADIANT