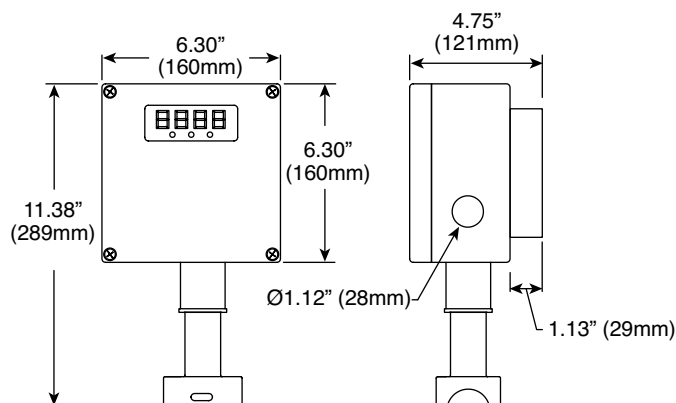


DTS Series Heat Trace Digital Thermostat

- 30 Amp Solid State Relay (SSR) Output
- 120 to 277 Vac Operation
- C1D2 Hazardous Area Approval
- ATEX / IECEx Zone II
- On/Off Control With 100 Degree Deadband Programmable In One Degree Increments
- Selectable Soft-Start Feature – Eliminates SR Cable In-Rush
- LED Indication for Power, Alarm and Load
- Large LED Display of Process Variables
- Programmable High & Low Temperature Alarms
- Solid State Alarm for Remote Indication of Alarm Status –
- AC Alarm: DTS-HAZ
- DC Alarm: DTS-HAZ-DC
- NEMA 4X Enclosure
- Integral Pipe Stand
- Optional Wall Mount
- 100 Ohm Platinum RTD - Included
- Enclosure Serves as Heating Cable, A/C Power & Sensor Connection
- Works with SR, CWM and MI Cable
- RoHS Compliant
- UL, cUL Listed, CE Approved



Description

The DTS-HAZ digital thermostat is a microprocessor based temperature control and power connection kit. It is used for freeze protection or process temperature maintenance of pipes or tanks protected by heat tracing products. This thermostat can be used with Constant Wattage, Mineral Insulated or Self-Regulating heating cables in Ordinary area or Class 1, Division 2 and IECEx/ATEX Zone II hazardous area locations.

This unit is designed to provide local temperature control and monitoring for heat traced pipes or tanks across a variety of industries and applications and will switch 30 amperes of current.

The DTS-HAZ provides easy programming of the temperature set point, high and low temperature alarms, the deadband, the temperature units, the soft start function and the alarm state through the front panel push buttons. LED lights are provided for indication of power to the unit, heater power on (load) and alarm status. A Fail Safe solid state alarm is included for wiring to your building

management system to indicate alarm status. This alarm may be set to open or close on all alarm conditions including loss of power, high or low temperature alarm and RTD failure. The loss of power indication qualifies this unit to be used to sense temperature and control heat trace when used in fire protection systems. Choose either the DC or the AC customer supplied voltage alarm variation. The minimum operating ambient temperature is -40°F (-40°C). This unit has programmable high and low temperature alarm set points from -80°F (-62°C) to 1150°F (621°C).

The DTS-HAZ employs a Soft Start feature that uses a proprietary software algorithm which eliminates the inherent self-regulating in-rush current, resulting in less nuisance tripping at cold temperatures. For added flexibility, the user may disable the soft start feature for non-heat trace applications. The alarm contact may be either normally open or normally closed.

A 100 Ohm platinum RTD is provided with a 3 foot (1 M) lead resulting in flexible mounting options for the user.