

Auxiliary Supports & Accessories

Eaton offers an extensive variety of auxiliary supports for communication equipment and accessories which suspend from the ceiling, secure to walls and join together all styles of auxiliary supports.

- SB20 series tube
- SB22 series channel
- SB23 series bar
- SB24 series channel
- SB212 series support angles

Material:	Type	Thickness	Specifications
	Steel Shapes	.316" (4.8mm) - .375" (9.5mm)	ASTM A36
	Steel Strip	.042 (1.0mm) - .135 (3.4mm)	ASTM A1011
	Steel Tube	.060 (1.5mm)	ASTM A513
	Copper Bar		ASTM B187, B152
	Silicon Bronze		ASTM F468, F467, F651

Finishes:

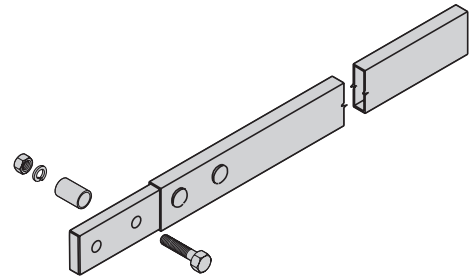
- Powder Coat Paint
- Telco Gray (TG)
 - Flat Black (FB)
 - Yellow Zinc (YZ) ASTM B633



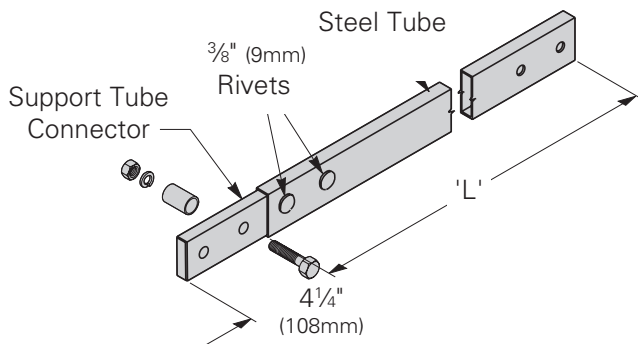
Auxillary Supports & Accessories

2" x 1/16" Support Tube

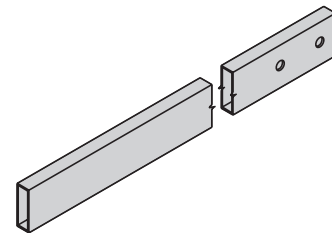
- Use as an auxiliary support
- 2" (51mm) x 1/16" (14mm) x .060 (1.5mm) steel tube
- Normally used in pairs
- 1/16" (14mm) diameter attachment holes where shown
- Includes: Pre-assembled tube, spacer and hardware for 01 and 02 styles only
- Material: ASTM A513 steel tube ASTM A36 structural steel splices
- Finish ___: Flat black powder coat (FB)
Telco gray powder coat (TG)
Yellow zinc (YZ)
Other finishes are available upon request



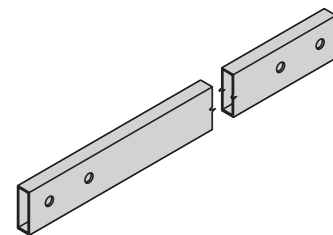
SB2002()
With Pre-assembled Riveted Splice



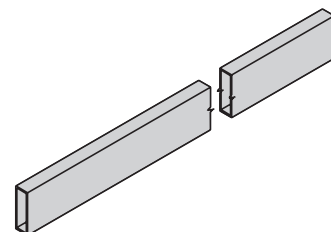
SB2001()
With Pre-assembled Riveted Splice



SB2003()



SB2004()



SB2005()

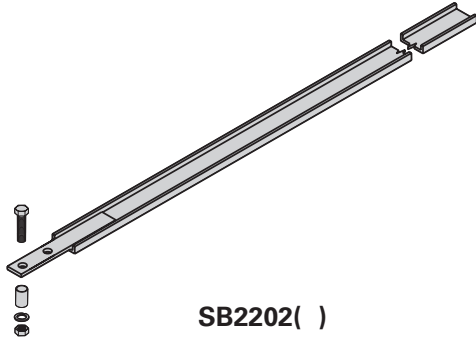
Part Number	Length 'L'		Weight	
	Ft.	(m)	Lbs.	(kg)
SB200103__	3'	(.91)	4.6	(2.1)
SB200105__	5'	(1.52)	6.6	(3.0)
SB200110__	10'	(3.05)	11.6	(5.2)
SB200203__	3'	(.91)	4.6	(2.1)
SB200205__	5'	(1.52)	6.6	(3.0)
SB200210__	10'	(3.05)	11.6	(5.2)
SB200303__	3'	(.91)	3.0	(1.3)
SB200305__	5'	(1.52)	5.0	(2.2)
SB200310__	10'	(3.05)	10.0	(4.5)
SB200403__	3'	(.91)	3.0	(1.3)
SB200405__	5'	(1.52)	5.0	(2.2)
SB200410__	10'	(3.05)	10.0	(4.5)
SB200503__	3'	(.91)	3.0	(1.3)
SB200505__	5'	(1.52)	5.0	(2.2)
SB200510__	10'	(3.05)	10.0	(4.5)

Specify part number and finish when ordering.

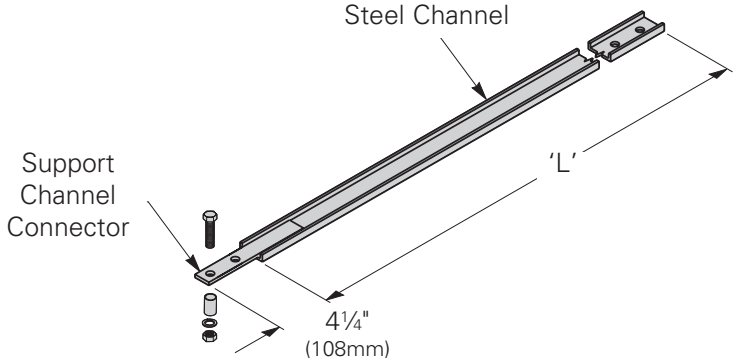
Auxiliary Supports & Accessories

2" x 9/16" Support Channel

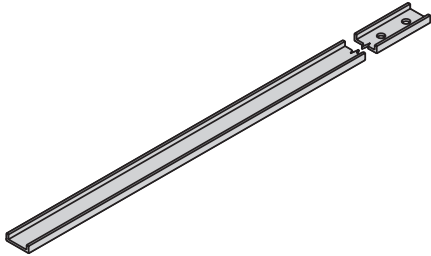
- Use as an auxiliary support
- 2" (51mm) x 9/16" (14mm) x 3/16" (5mm) steel channel
- Normally used in pairs
- 9/16" (14mm) diameter attachment holes where shown
- Includes: Pre-assembled channel, spacer, and hardware for 01 and 02 styles only
- Material: ASTM A36 structural steel splices ASTM A36 structural steel channel
- Finish ___: Flat black powder coat (FB)
Telco gray powder coat (TG)
Yellow zinc (YZ)
Other finishes are available upon request



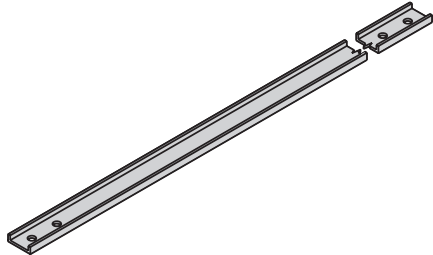
SB2202()
With Pre-assembled Welded Splice



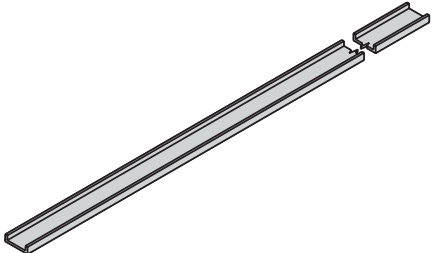
SB2201()
With Pre-assembled Welded Splice



SB2203()



SB2204()



SB2205()

Part Number	Length 'L'		Weight	
	Ft.	(m)	Lbs.	(kg)
SB220103__	3'	(.91)	6.5	(2.9)
SB220105__	5'	(1.52)	10.0	(4.5)
SB220110__	10'	(3.05)	18.8	(8.5)
SB220203__	3'	(.91)	6.5	(2.9)
SB220205__	5'	(1.52)	10.0	(4.5)
SB220210__	10'	(3.05)	18.8	(8.5)
SB220303__	3'	(.91)	5.3	(2.4)
SB220305__	5'	(1.52)	8.8	(4.0)
SB220310__	10'	(3.05)	17.6	(8.0)
SB220403__	3'	(.91)	5.3	(2.4)
SB220405__	5'	(1.52)	8.8	(4.0)
SB220410__	10'	(3.05)	17.6	(8.0)
SB220503__	3'	(.91)	5.3	(2.4)
SB220505__	5'	(1.52)	8.8	(4.0)
SB220510__	10'	(3.05)	17.6	(8.0)

Specify part number and finish when ordering.

Auxiliary Supports & Accessories

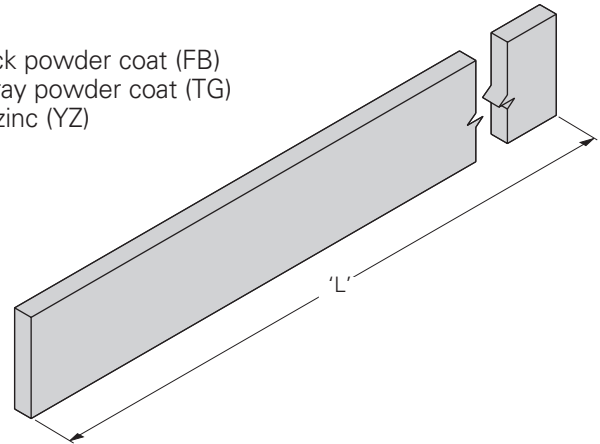
2" x 3/8" Support Bar

- Use as an auxiliary support
- Normally used in pairs
- Material: ASTM A36 structural steel

- Finish ____: Flat black powder coat (FB)
Telco gray powder coat (TG)
Yellow zinc (YZ)

Part Number	Length 'L'		Weight	
	Ft.	(m)	Lbs.	(kg)
SB2305__	5'	(1.52)	12.75	(5.78)
SB2310__	10'	(3.05)	25.50	(11.56)

Specify part number and finish when ordering.



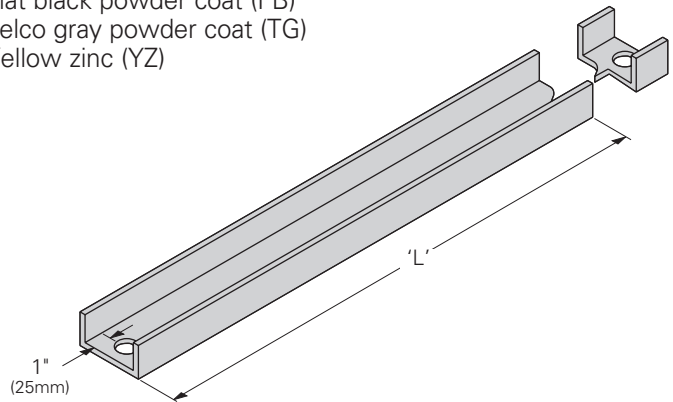
1" x 2" Support Channel

- Use as an auxiliary support
- 17/32" (13mm) diameter attachment holes
- Material: ASTM A36 structural steel

- Finish ____: Flat black powder coat (FB)
Telco gray powder coat (TG)
Yellow zinc (YZ)

Part Number	Length 'L'		Weight	
	Ft.	(m)	Lbs.	(kg)
SB24B05__	5'	(1.52)	11.7	(5.31)
SB24B10__	10'	(3.05)	23.3	(10.57)

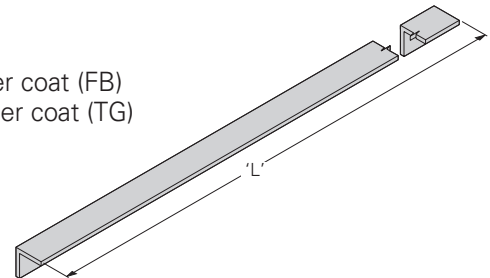
Specify part number and finish when ordering.



Support Angle

- Use as an structural support or brace
- Angle size shown in chart
- Material: ASTM A1011 CS steel

- Finish ____: Flat black powder coat (FB)
Telco gray powder coat (TG)
Yellow zinc (YZ)



Part Number	Angle Size		Length 'L'		Weight	
	in.	(mm)	Ft.	(m)	Lbs.	(kg)
SB212A05__	1½" x 1½" x 3/16"	(38 x 38 x 5)	5'	(1.52)	9.0	(4.1)
SB212A10__	1½" x 1½" x 3/16"	(38 x 38 x 5)	10'	(3.05)	18.0	(8.1)
SB212B05__	2" x 2" x 1/4"	(51 x 51 x 6)	5'	(1.52)	16.0	(7.2)
SB212B10__	2" x 2" x 1/4"	(51 x 51 x 6)	10'	(3.05)	32.0	(14.5)
SB212C05__	2" x 2" x 3/16"	(51 x 51 x 5)	5'	(1.52)	12.0	(5.4)
SB212C10__	2" x 2" x 3/16"	(51 x 51 x 5)	10'	(3.05)	24.0	(10.9)

Specify part number and finish when ordering.

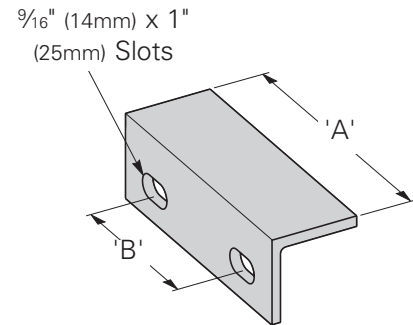
Auxiliary Supports & Accessories

Wall Bracket

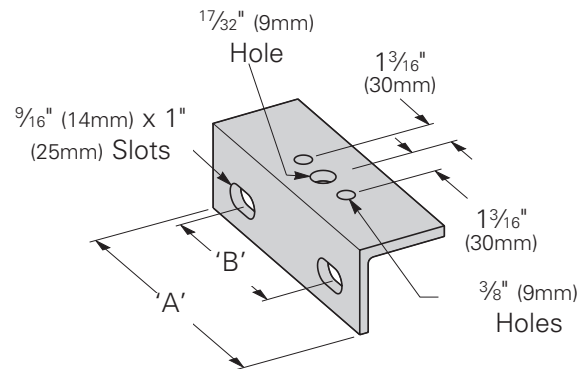
- Use to attach auxiliary structure to wall
- Material: 2" (51mm) x 2" (51mm) ASTM A1011 CS steel
- Finish ____: Flat black powder coat (FB)
Telco gray powder coat (TG)
Yellow zinc (YZ)
Other finishes are available upon request

Part Number	'A'		'B'		Weight	
	in.	(mm)	in.	(mm)	Lbs.	(kg)
SB211A__	6"	(152)	4"	(101)	1.9	(0.86)
SB211B__	6"	(152)	4"	(101)	1.9	(0.86)

Specify part number and finish when ordering.



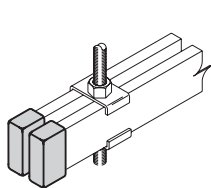
SB211A



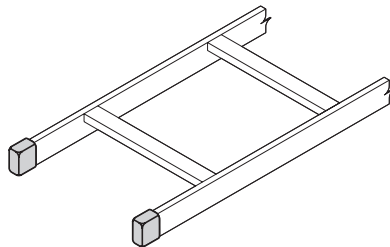
SB211B

End Cap

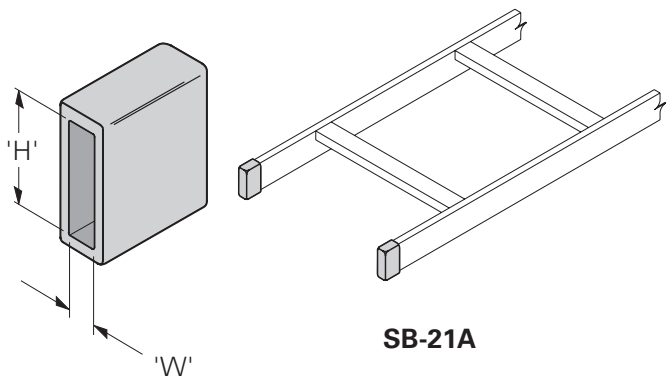
- Use as safety and protective coverings for cable runway stringers, support channel, tubes and bars
- Meets U.L. 94-V-O Flame Resistance requirement
- Sold in quantity of 10 pieces
- Material: Black Neoprene Rubber



SB21



SB21B



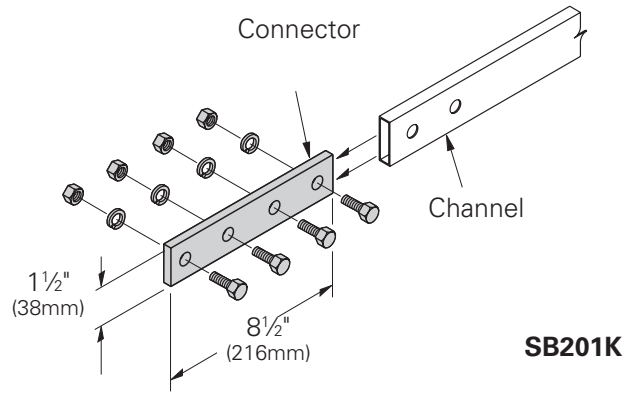
SB-21A

Part Number	Support Size 'H' x 'W'		Primary Usage	Weight	
	in.	(mm)		Lbs.	(kg)
SB21	2" x 9/16"	(51) x (14)	SB20 or SB22 Support	0.80	(0.36)
SB21A	2" x 3/8"	(51) x (9)	SB16 Runway	0.40	(0.18)
SB21B	1 1/2" x 3/8"	(38) x (9)	SB15, SB17 or SB18 Runway	0.30	(0.13)

Auxillary Supports & Accessories

2" x 9/16" Support Tubing Splice Kit

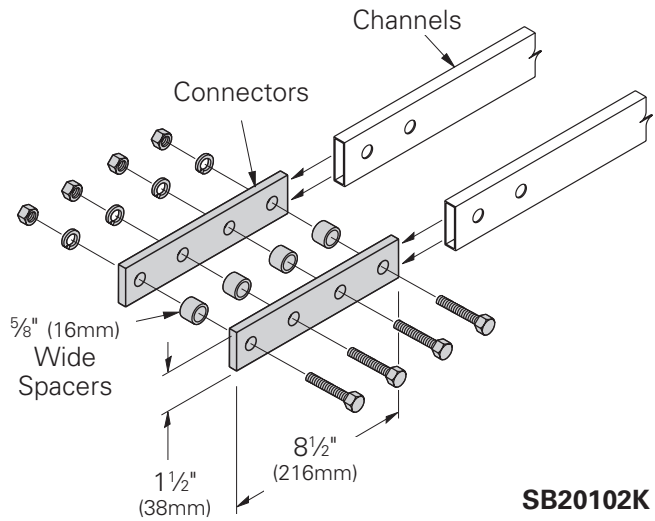
- Use to splice 2" (51mm) x 9/16" (14mm) auxiliary support tubing
- Single tubing connector includes (1) splice plate with 1/2"-13 hardware
- Dual tubing connector includes (2) splice plates, spacers, and 1/2"-13 hardware
- Material: 3/8" (9mm) ASTM A36 structural steel
- Finish ____: Flat black powder coat (FB)
Telco gray powder coat (TG)
Yellow zinc (YZ)
Other finishes are available upon request



SB201K

Part Number	Support Configuration	Weight	
		Lbs.	(kg)
SB201K __	Single Tubing	1.7	(0.77)
SB20102K __	Dual Tubing	3.3	(1.49)

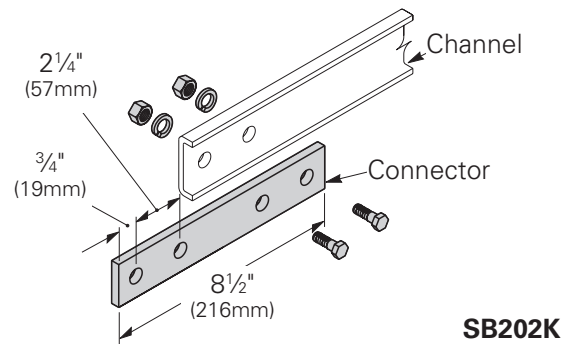
Specify part number and finish when ordering.



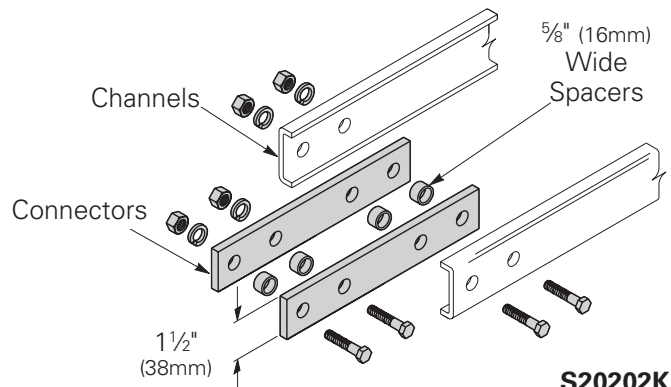
SB20102K

2" x 9/16" Support Channel Splice

- Use to splice 2" (51mm) x 9/16" (14mm) auxiliary support channel
- Single channel connector includes (1) splice plate with 1/2"-13 hardware
- Dual channel connector includes (2) splice plates, spacers, and 1/2"-13 hardware
- Material: 3/8" (9mm) ASTM A36 structural steel
- Finish ____: Flat black powder coat (FB)
Telco gray powder coat (TG)
Yellow zinc (YZ)
Other finishes are available upon request



SB202K



S20202K

Part Number	Support Configuration	Weight	
		Lbs.	(kg)
SB202K __	Single C-Channel	1.7	(0.77)
SB20202K __	Dual C-Channel	3.1	(1.40)

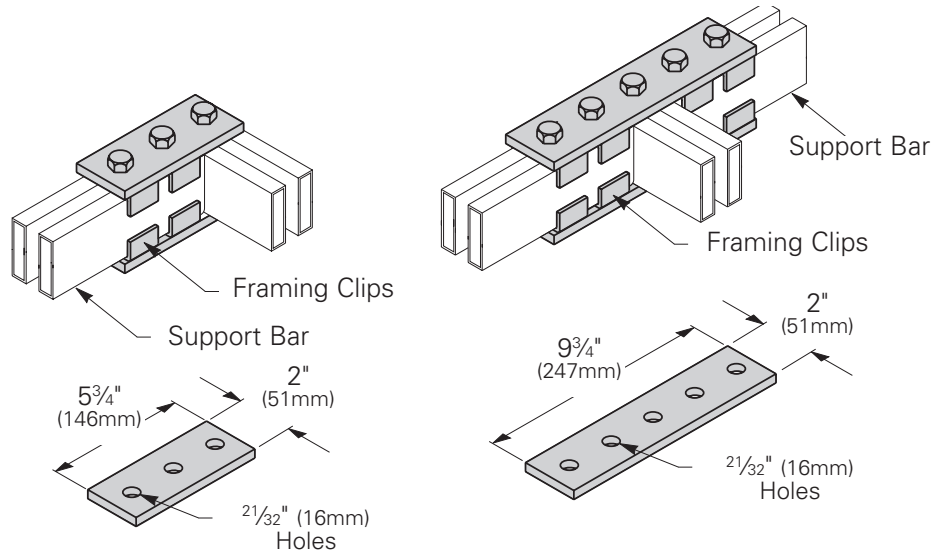
Specify part number and finish when ordering.

Auxiliary Supports & Accessories

2" x 3/8" Junction Kit

- Use to splice 2" (51mm) x 3/8" (9mm) auxiliary supports
- Can be used as a straight or perpendicular splice
- SB205AK1 includes: (2) plates, (6) framing clips and (3) 5/8"-11 bolts and hardware
- SB205BK1 includes: (2) plates, (10) framing clips and (5) 5/8"-11 bolts and hardware
- Material: 3/8" (9.5mm) ASTM A36 structural steel
- Finish ____: Yellow zinc (YZ)
Other finishes are available upon request

Holes are on 2" (51mm) centers with first hole 7/8" (22mm) from end to center.



Part Number	Weight	
	Lbs.	(kg)
SB205AK1	3.9	(1.77)
SB205BK1	6.6	(2.99)

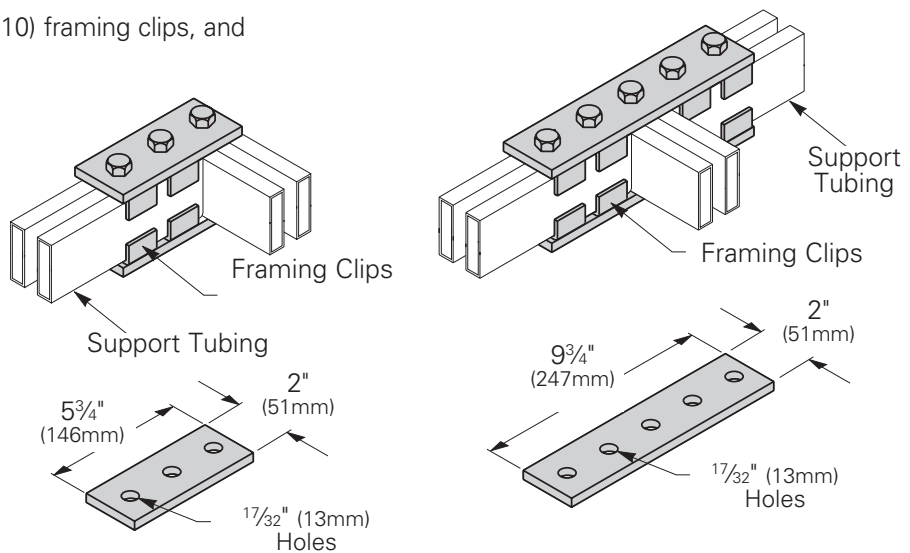
SB205AK1

SB205BK1

2" x 9/16" Junction Kit

- Use to splice 2" (51mm) x 9/16" (14mm) auxiliary support tubing
- Can be used as a straight or perpendicular splice
- SB205AK includes: (2) plates, (6) framing clips, and (3) 1/2"-13 bolts and hardware
- SB205BK includes: (2) plates, (10) framing clips, and (5) 1/2"-13 bolts and hardware
- Material: 3/8" (9.5mm) ASTM A36 structural steel
- Finish ____: Yellow zinc (YZ)
Other finishes are available upon request

Holes are on 2" (51mm) centers with first hole 7/8" (22mm) from end to center.



Part Number	Weight	
	Lbs.	(kg)
SB205AK	3.9	(1.77)
SB205BK	6.6	(2.99)

SB205AK

SB205BK

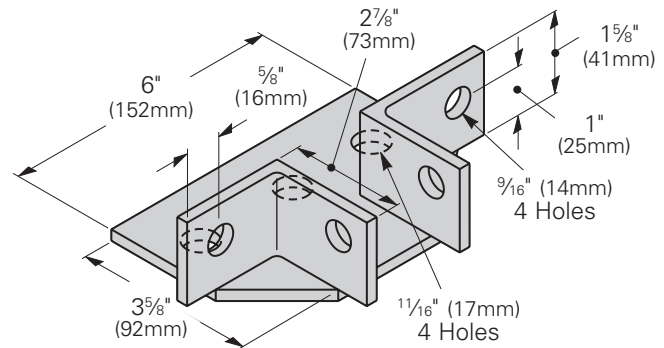
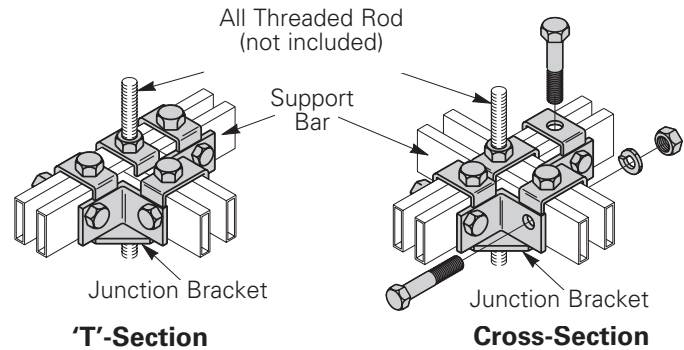
Auxillary Supports & Accessories

2" x 3/8" Heavy Duty Junction Kit

- Use to suspend and splice 2" (51mm) x 3/8" (9mm) auxiliary support
- Designed with welded gussets and through bolts for additional strength and rigidity
- Material: 3/8" (9.5mm) ASTM A36 structural steel
- Finish ____: Yellow zinc (YZ)
Other finishes are available upon request

SB205DK1 includes

- (1) Junction bracket
- (4) Framing clips
- (3) 5/8"-11 Hex head cap screws
- (5) 5/8" Lockwashers
- (1) 5/8" Flatwashers
- (6) 5/8"-11 Hex nuts
- (3) 1/2"-13 Hex head cap screws
- (3) 1/2" Lockwashers
- (3) 1/2"-13 Hex nuts.



Junction Bracket

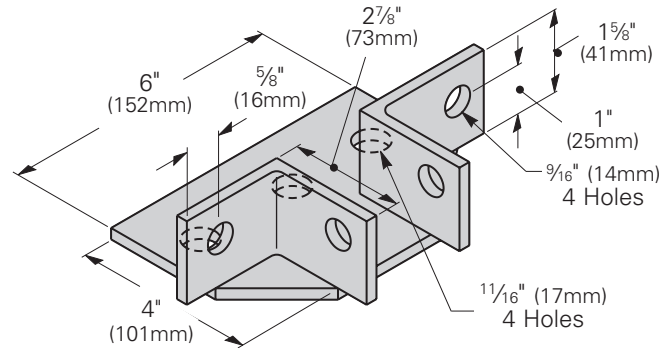
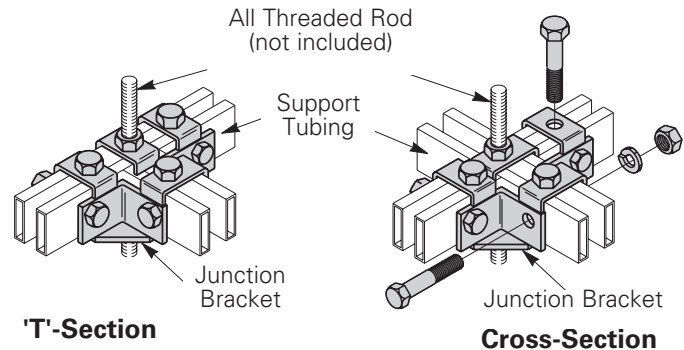
Part Number	Weight	
	Lbs.	(kg)
SB205DK1	1.80	(0.81)

2" x 9/16" Heavy Duty Junction Kit

- Use to suspend and splice 2" (51mm) x 9/16" (14mm) auxiliary support
- Designed with welded gussets and through bolts for additional strength and rigidity
- Material: 3/8" (9.5mm) ASTM A36 structural steel
- Finish ____: Yellow zinc (YZ)
Other finishes are available upon request

SB205DK includes

- (1) Junction bracket
- (4) Framing clips
- (3) 5/8"-11 Hex head cap screws
- (5) 5/8" Lockwashers
- (1) 5/8" Flatwashers
- (6) 5/8"-11 Hex nuts
- (3) 1/2"-13 Hex head cap screws
- (3) 1/2" Lockwashers
- (3) 1/2"-13 Hex nuts.



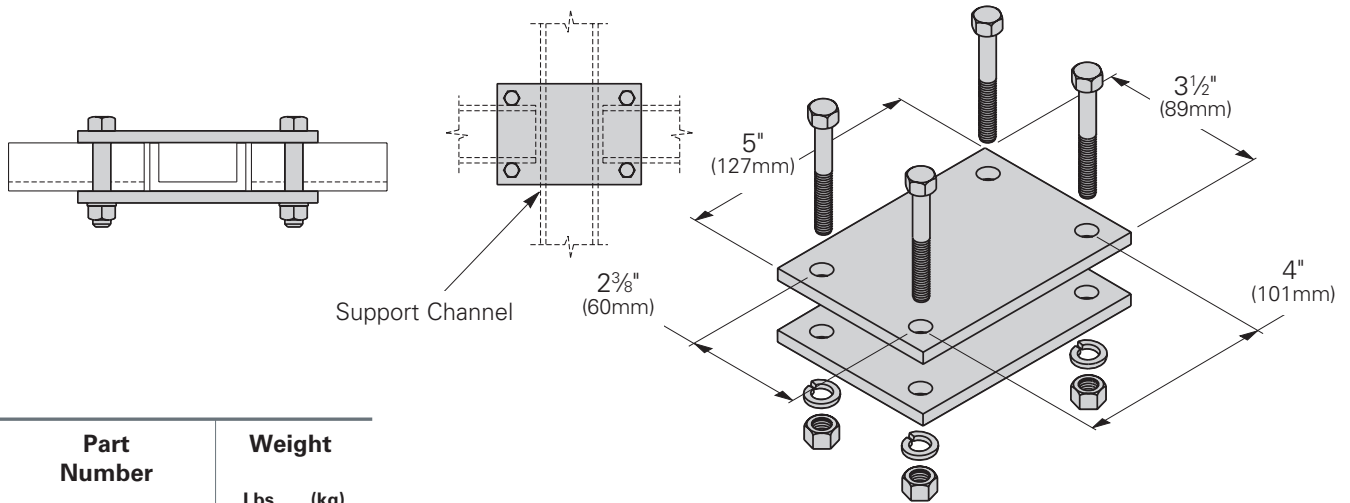
Junction Bracket

Part Number	Weight	
	Lbs.	(kg)
SB205DK	1.80	(0.81)

Auxiliary Supports & Accessories

1" x 2" Intersecting Splice Plate Kit

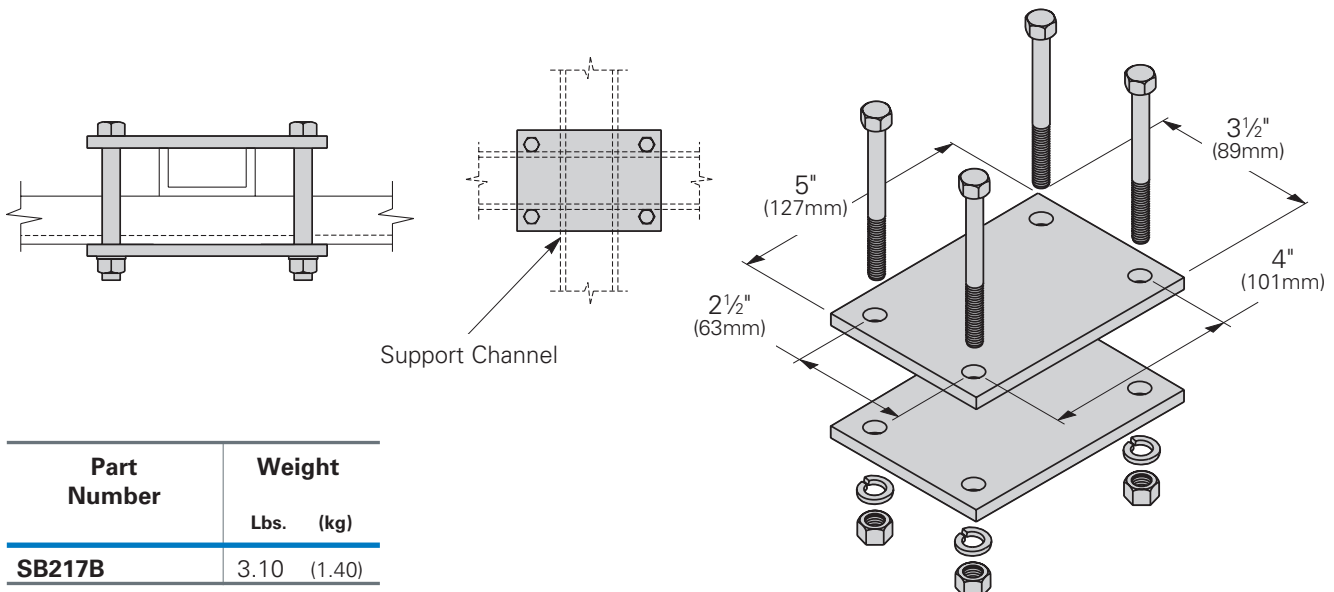
- Use to splice 1" (25mm) x 2" (51mm) auxiliary support
- Includes (2) plates with $\frac{3}{8}$ "-16 hardware
- Material: $\frac{1}{4}$ " (6mm) ASTM A36 structural steel
- Finish ____: Yellow zinc (YZ)
Other finishes are available upon request



Part Number	Weight	
	Lbs.	(kg)
SB217A	3.00	(1.36)

1" x 2" Crossover Splice Plate Kit

- Use to splice perpendicular auxiliary support runs
- Includes (2) plates with $\frac{3}{8}$ "-16 hardware
- Material: $\frac{1}{4}$ " (6mm) ASTM A36 structural steel
- Finish ____: Yellow zinc (YZ)
Other finishes are available upon request

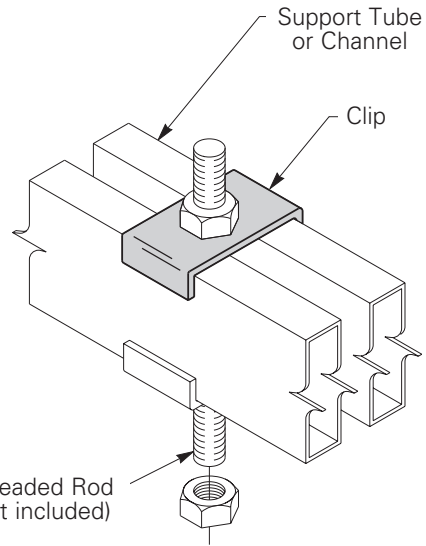
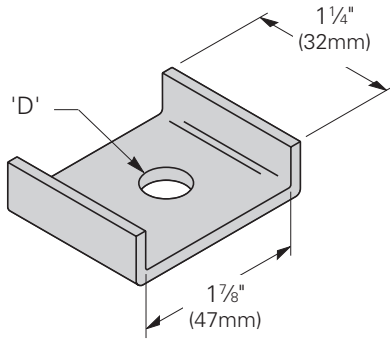


Part Number	Weight	
	Lbs.	(kg)
SB217B	3.10	(1.40)

Auxillary Supports & Accessories

2" x 9/16" Framing Clip

- Use to suspend auxiliary support with threaded rod or to attach accessories to auxiliary support
- Use with 2" (51mm) x 9/16" (14mm) tube or channel
- Material: 11Ga. (3mm) ASTM A1011 structural steel
- Finish___: Black zinc (BZ) or Yellow zinc (YZ)
Other finishes are available upon request

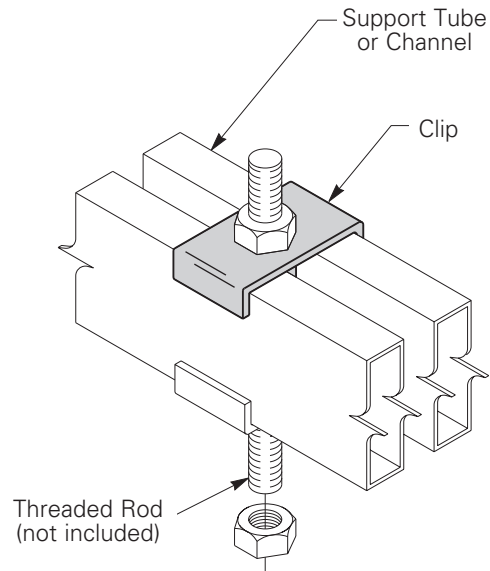
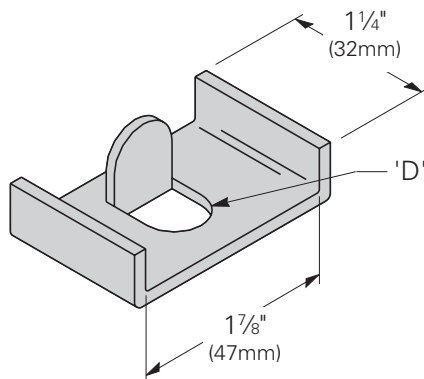


Part Number	'D' Hole Size		Hardware Size	Weight	
	in.	(mm)		Lbs.	(kg)
SB103__	3/8"	(9)	5/16"-18	0.11	(0.05)
SB104__	7/16"	(11)	3/8"-16	0.11	(0.05)
SB106__	1 1/16"	(17)	5/8"-11	0.11	(0.05)

Specify part number and finish when ordering.

2" x 9/16" Tabbed Framing Clip

- Use to suspend auxiliary support with threaded rod or to attach accessories to auxiliary support
- Built-in spacer tab to maintain proper tube and channel spacing
- Use with 2" (51mm) x 9/16" (14mm) tube or channel
- Material: 11Ga. (3mm) ASTM A1011 structural steel
- Finish___: Black zinc (BZ) or Yellow zinc (YZ)
Other finishes are available upon request



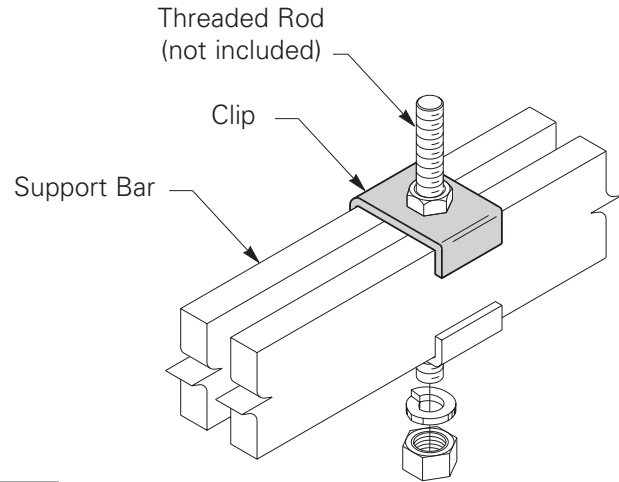
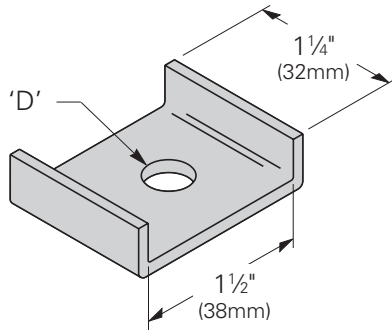
Part Number	'D'		Hardware Size	Weight	
	in.	(mm)		Lbs.	(kg)
SB105__	9/16"	(14)	1/2"-13	0.11	(0.05)

Specify part number and finish when ordering.

Auxiliary Supports & Accessories

2" x 3/8" Bar Framing Clip

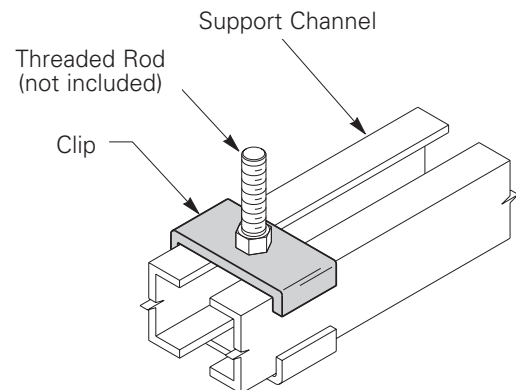
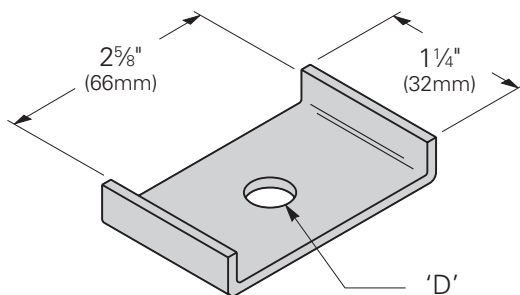
- Use to suspend auxiliary support with threaded rod or to attach accessories to auxiliary support
- Use with 2" (51mm) x 3/8" (9mm) bar
- Material: 11 Ga. (2.3mm) ASTM A1011 structural steel
- Finish ____: Yellow zinc (YZ)
Other finishes are available upon request



Part Number	'D' Hole Size in. (mm)	Hardware Size	Weight	
			Lbs.	(kg)
SB109B	7/16" (11)	3/8"-16	0.95	(0.43)
SB109C	9/16" (14)	1/2"-13	0.95	(0.43)
SB109D	1 1/16" (17)	5/8"-11	0.95	(0.43)

1" x 2" Framing Clip

- Use to suspend auxiliary support with threaded rod or to attach accessories to auxiliary support
- Use with 1" (25mm) x 2" (51mm) channel
- Material: 11 Ga. (2.3mm) ASTM A1011 structural steel
- Finish ____: Yellow zinc (YZ)
Other finishes are available upon request

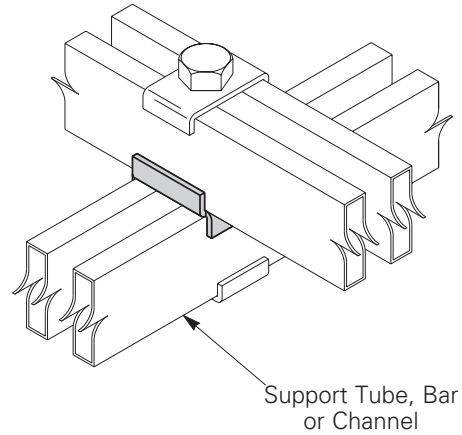
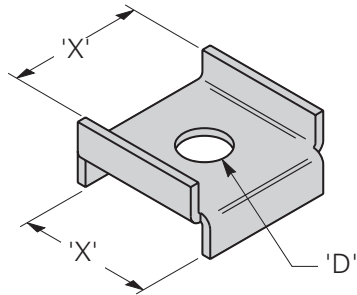


Part Number	'D' Hole Size in. (mm)	Hardware Size	Weight	
			Lbs.	(kg)
SB112A	9/16" (14)	1/2"-13	0.23	(0.10)
SB112B	1 1/16" (17)	5/8"-11	0.23	(0.10)

Auxillary Supports & Accessories

Crossover Framing Clip

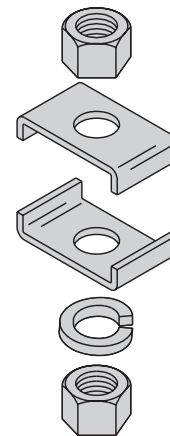
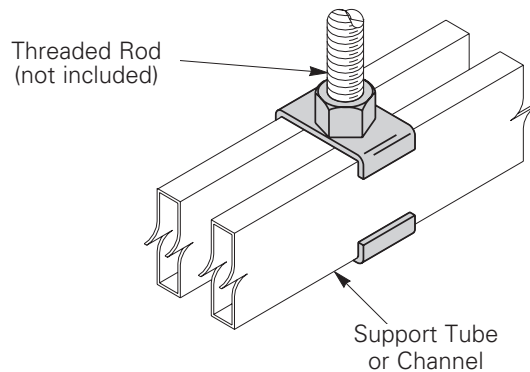
- Use to secure perpendicular auxiliary support runs
- See SB2210 & SB2211 for kits
- Material: 12 gauge (2.2mm) ASTM A1011 steel
- Finish: Yellow Zinc (YZ)



Part Number	Support Framing Size		'D' Hole Size		Hardware Size		'X'		Weight	
	in.	(mm)	in.	(mm)	in.	(mm)	in.	(mm)	Lbs.	(kg)
SB114A	2" x 3/8"	(51 x 9)	9/16"	(14)	1/2"	(13)	1 1/2"	(38)	0.13	(0.06)
SB114B	2" x 3/8"	(51 x 9)	1 1/16"	(17)	5/8"	(16)	1 1/2"	(38)	0.13	(0.06)
SB114C	2" x 9/16"	(51 x 14)	9/16"	(14)	1/2"	(13)	1 7/8"	(47)	0.15	(0.07)
SB114D	2" x 9/16"	(51 x 14)	1 1/16"	(17)	5/8"	(16)	1 7/8"	(47)	0.15	(0.07)

Framing Clip Kit

- Use to suspend auxiliary support
- Sized for 5/8"-11 all threaded rod
- Includes: (2) framing clips and hardware
- Material: 11 Ga. (3mm) ASTM A1011 steel
- Finish: Yellow Zinc (YZ)

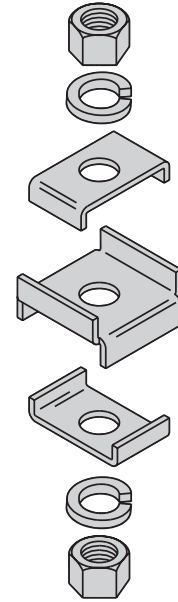
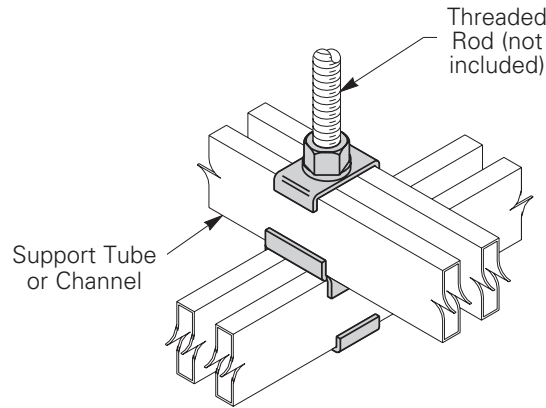


Part Number	Support Framing Size		Weight	
	in.	(mm)	Lbs.	(kg)
SB2209A	2" x 9/16"	(51 x 14)	0.40	(0.18)
SB2209B	2" x 3/8"	(51 x 9)	0.36	(0.16)

Auxiliary Supports & Accessories

Suspending Crossover Framing Clip Kit

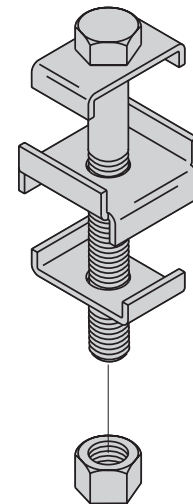
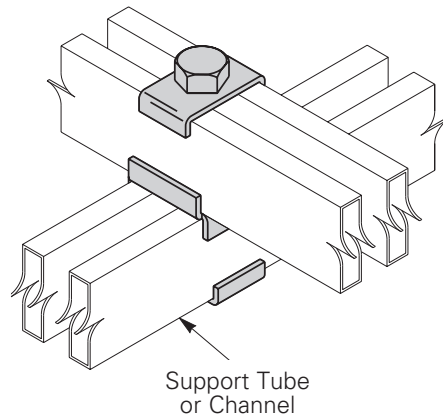
- Use to secure and suspend perpendicular auxiliary support runs
- Sized for 5/8"-11 all threaded rod
- Includes: (1) crossover clip, (2) framing clips, and hardware
- Material: 11 Ga. (3mm) ASTM A1011 steel
- Finish: Yellow Zinc (YZ)



Part Number	Support Framing Size		Weight	
	in.	(mm)	Lbs.	(kg)
SB2210A	2" x 5/16"	(51 x 14)	0.60	(0.27)
SB2210B	2" x 3/8"	(51 x 9)	0.40	(0.18)

Securing Crossover Framing Clip Kit

- Use to secure perpendicular auxiliary support runs
- Includes: (1) crossover clip, (2) framing clips, and 5/8"-11 hardware
- Material: 11 Ga. (3mm) ASTM A1011 steel
- Finish: Yellow Zinc (YZ)

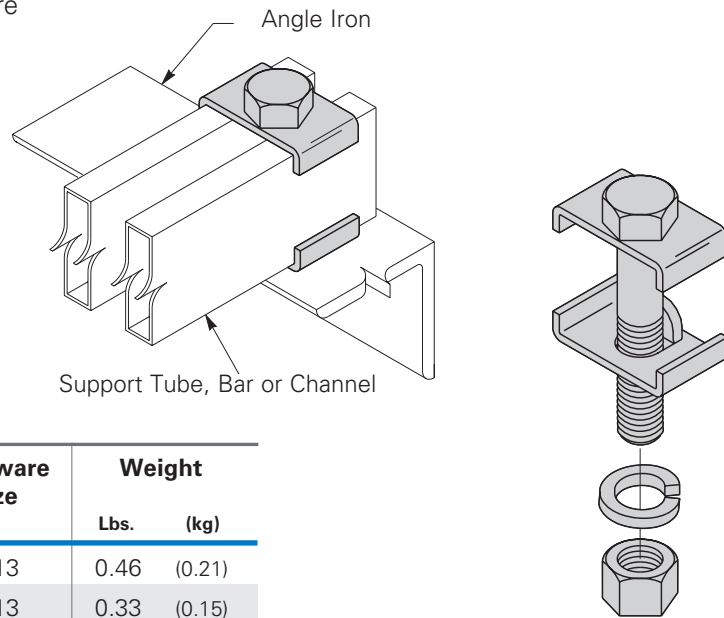


Part Number	Support Framing Size		Weight	
	in.	(mm)	Lbs.	(kg)
SB2211A	2" x 5/16"	(51 x 14)	0.90	(0.41)
SB2211B	2" x 3/8"	(51 x 9)	0.80	(0.36)

Auxillary Supports & Accessories

Wall Angle Framing Clip Kit

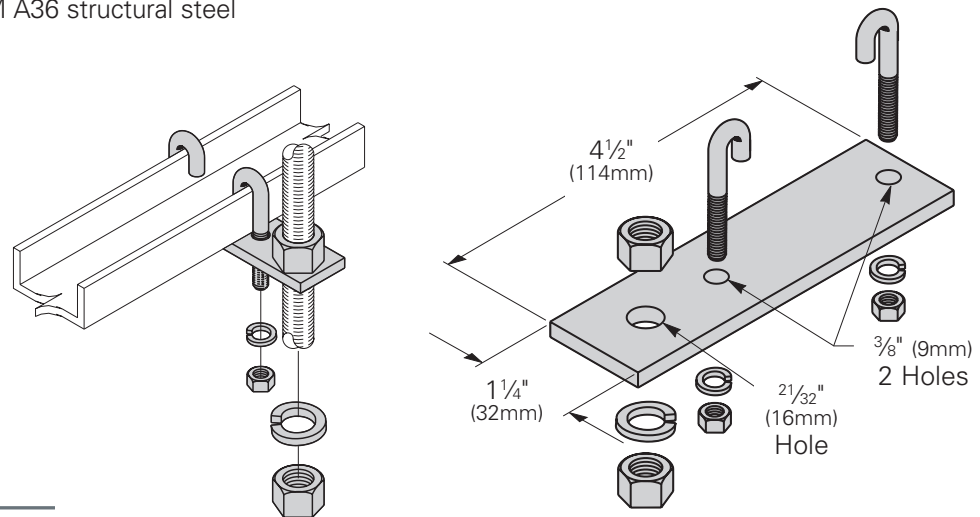
- Use to fasten support framing to wall support angle
- Includes: (2) framing clips and 1/2"-13 hardware
- Material: 11 Ga. (3mm) ASTM A1011 steel
- Finish: Yellow Zinc (YZ)



Part Number	Support Framing Size		Hardware Size	Weight	
	in.	(mm)		Lbs.	(kg)
SB2212A	2" x 9/16"	(51 x 14)	1/2"-13	0.46	(0.21)
SB2212B	2" x 3/8"	(51 x 9)	1/2"-13	0.33	(0.15)
SB2212C	2" x 9/16"	(51 x 14)	5/8"-11	0.50	(0.22)
SB2212D	2" x 3/8"	(51 x 9)	5/8"-11	0.39	(0.17)

1" x 2" Channel Support Kit

- Use to suspend 1" (25mm) x 2" (51mm) auxiliary support
- Sized for 5/8"-11 threaded rod
- Includes: (1) plate, (2) 'J'-Bolts, lockwashers, and hex nuts, (1) 5/8" lockwasher and (2) 5/8"-11 hex nuts
- Material: 1/4" (6mm) ASTM A36 structural steel
- Finish: Yellow Zinc (YZ)



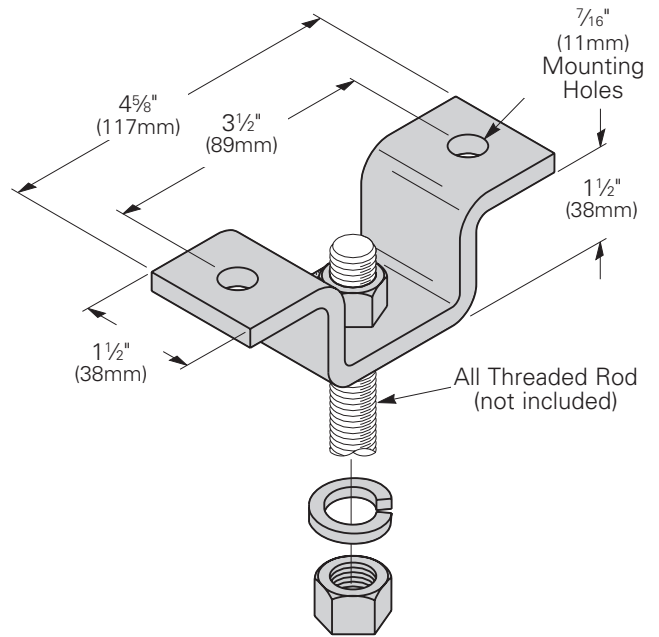
Part Number	Weight	
	Lbs.	(kg)
SB2206A	0.70	(0.32)

Auxillary Supports & Accessories

Ceiling Hanger Bracket Kit

- Use to suspend all threaded rod from ceiling
- Includes: (1) bracket, (1) lockwasher, and (2) hex nuts
- Material: 1/4" (6mm) ASTM A907 steel
- Finish: Yellow Zinc (YZ)

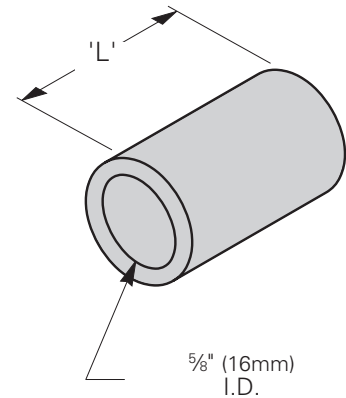
Part Number	ATR Size		Weight	
	in.	(mm)	Lbs.	(kg)
SB2215A	1/2"	(13)	0.84	(0.38)
SB2215B	5/8"	(16)	0.93	(0.42)



Spacer

- Use as a spacer between parallel overhead support structures
- Material: ASTM A120 Schedule 40 steel pipe
- Finish: Yellow Zinc (YZ)

Part Number	'L'		Weight	
	in.	(mm)	Lbs.	(kg)
SB20601	2 5/32"	(20)	0.06	(0.03)
SB20602	3/8"	(19)	0.04	(0.02)
SB20603	1 3/8"	(35)	0.12	(0.05)
SB20604	5/8"	(16)	0.06	(0.03)
SB20605	1 5/16"	(33)	0.12	(0.05)
SB20606	2 7/16"	(62)	0.24	(0.11)



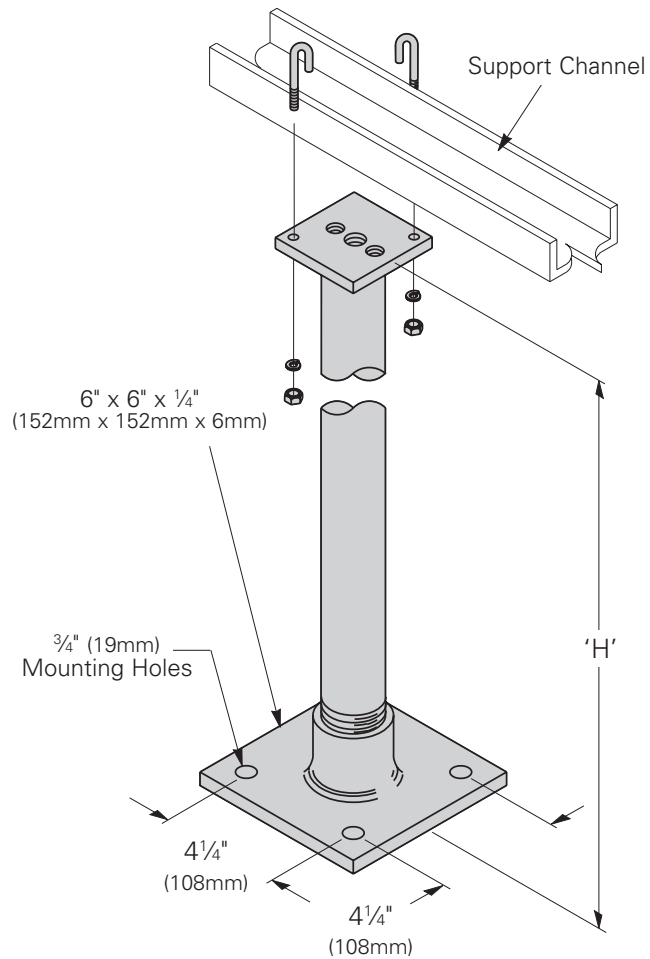
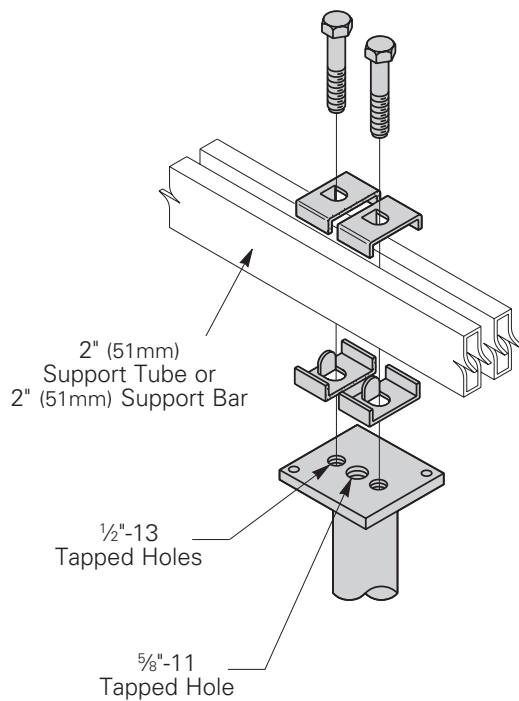
Auxillary Supports & Accessories

Pipe Column

- Use to support and secure 2" (51mm) x 3/16" (14mm), 1" (25mm) x 2" (51mm), or 2" (51mm) x 3/8" (9mm) auxiliary support
- Threaded base allows 1" (25mm) height adjustment (1/2" (13mm) on either side of the 'H' dimension shown in chart)
- Order anchor hardware separately
- Includes: (1) base, (1) column, (8) framing clips, (2) 1/2"-13 HHCS and hardware, (2) 5/16"-18 J-Bolts, and hardware
- Material: 2" (50mm) Schedule 40 steel pipe, ASTM A36 structural steel
- Finish ____: Flat black powder coat (FB)
Telco gray powder coat (TG)
Yellow zinc (YZ) framing clips and hardware
Other finishes are available upon request

Part Number	Height 'H'		Weight	
	in.	(mm)	Lbs.	(kg)
SB315A084 __	84"	(2133)	32.7	(14.8)
SB315A096 __	96"	(2438)	36.5	(16.5)
SB315A108 __	108"	(2743)	40.2	(18.2)
SB315A120 __	120"	(3048)	44.0	(19.9)
SB315A140 __	140"	(3556)	50.2	(22.8)

Specify part number and finish when ordering.



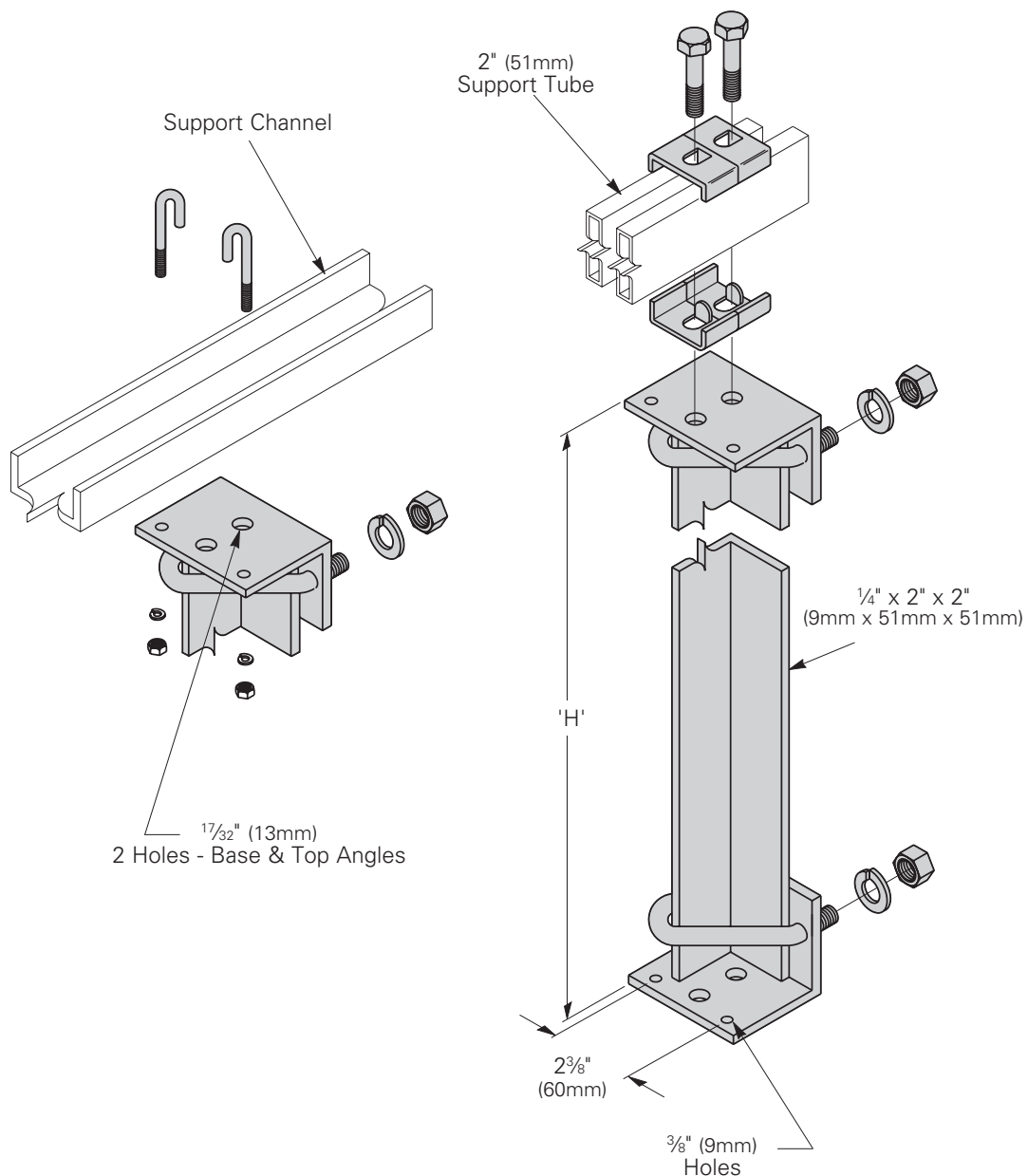
Auxillary Supports & Accessories

Angle Column

- Use to support and secure 2" (51mm) x $\frac{9}{16}$ " (14mm) or 1" (25mm) x 2" (51mm) auxiliary support
- Order anchor hardware separately
- Designed for easy field modification of height
- Includes: (1) base angle, (1) top angle, (1) column, (4) framing clips, (2) $\frac{1}{2}$ "-13 HHCS and hardware, (2) $\frac{5}{16}$ "-18 J-Bolts, and hardware
- Material: ASTM A36 structural steel
- Finish ____: Flat black powder coat (FB)
Telco gray powder coat (TG)
Yellow zinc (YZ) framing clips and hardware
Other finishes are available upon request

Part Number	Height 'H'		Weight	
	in.	(mm)	Lbs.	(kg)
SB320A084 __	84"	(2133)	26.4	(12.0)
SB320A096 __	96"	(2438)	29.6	(13.4)
SB320A108 __	108"	(2743)	32.8	(14.9)
SB320A120 __	120"	(3048)	36.0	(16.3)
SB320A140 __	140"	(3556)	41.3	(18.7)

Specify part number and finish when ordering.



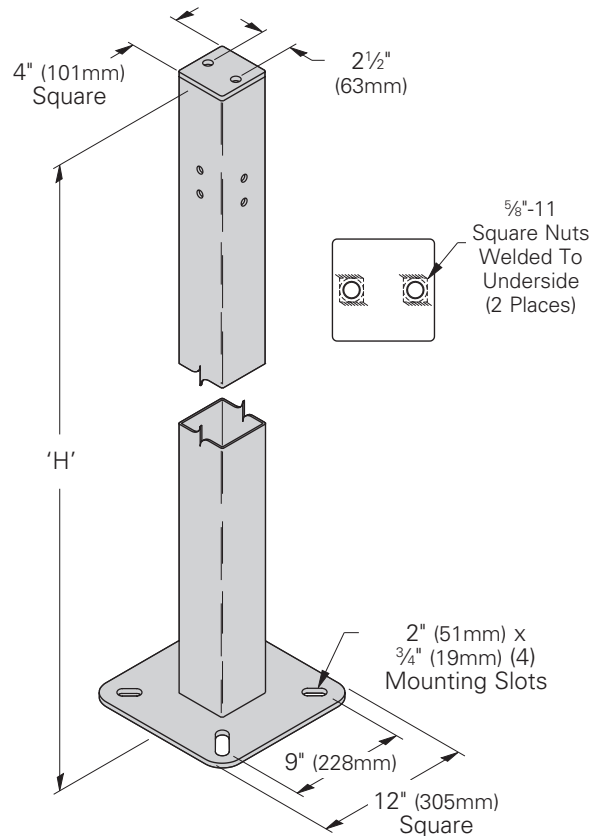
Auxiliary Supports & Accessories

4" (101mm) Square Stanchion Support

- Use to support and secure 2" (51mm) x 3/16" (14mm) or 1" (25mm) x 2" (51mm) or 2" (51mm) x 3/8" (9mm) auxiliary supports
- All welded construction
- Material: 3/8" (9.5mm) structural steel plate ASTM A36, 3/16" (4.7mm) steel tubing
- Finish ____: Flat black powder coat (FB)
Telco gray powder coat (TG)
Yellow zinc (YZ) framing clips and hardware
Other finishes are available upon request
- Other heights and finishes available upon request

Part Number	Height 'H'		Weight	
	in.	(mm)	Lbs.	(kg)
SB322084__	84"	(2133)	83.0	(37.6)
SB322090__	90"	(2286)	88.0	(39.9)
SB322096__	96"	(2438)	98.0	(44.4)
SB322108__	108"	(2743)	108.0	(49.0)

Specify part number and finish when ordering.

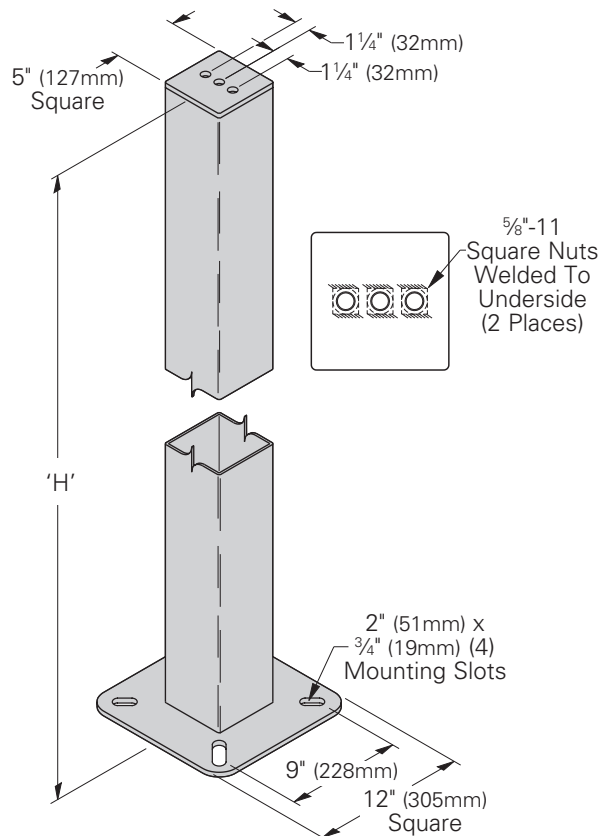


5" (127mm) Square Stanchion Support

- Use to support and secure 2" (51mm) x 3/16" (14mm) or 1" (25mm) x 2" (51mm) or 2" (51mm) x 3/8" (9mm) auxiliary supports
- All welded construction
- Material: 3/8" (9.5mm) structural steel plate ASTM A36, 3/16" (4.7mm) steel tubing
- Finish ____: Flat black powder coat (FB)
Telco gray powder coat (TG)
Yellow zinc (YZ) framing clips and hardware
Other finishes are available upon request
- Other heights and finishes available upon request

Part Number	Height 'H'		Weight	
	in.	(mm)	Lbs.	(kg)
SB323084__	84"	(2133)	101.0	(45.8)
SB323090__	90"	(2286)	107.0	(48.5)
SB323096__	96"	(2438)	113.0	(51.2)
SB323108__	108"	(2743)	125.0	(56.7)

Specify part number and finish when ordering.

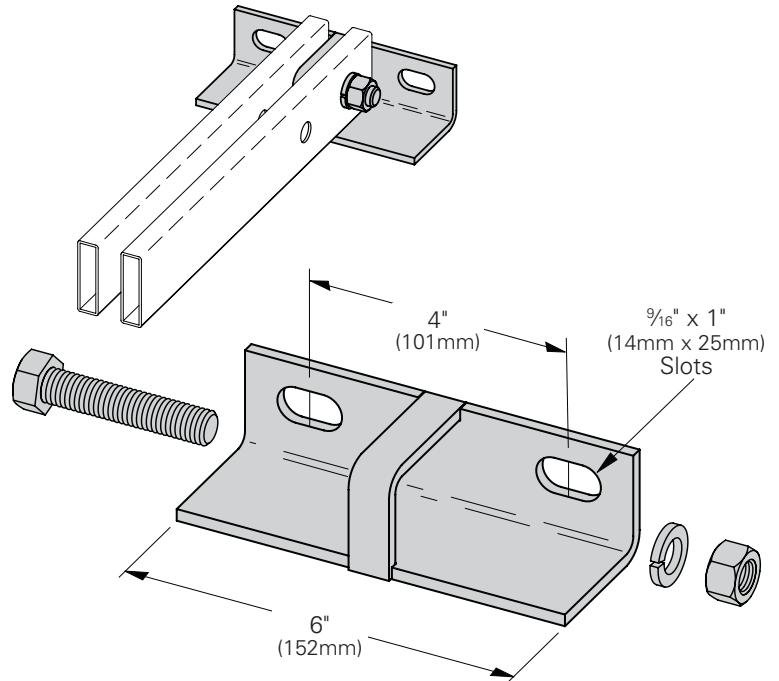
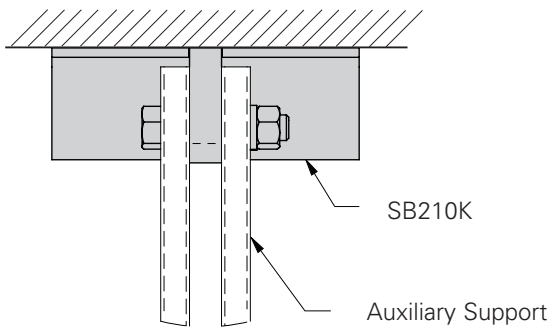


Auxiliary Supports & Accessories

Angle Wall Support Kit

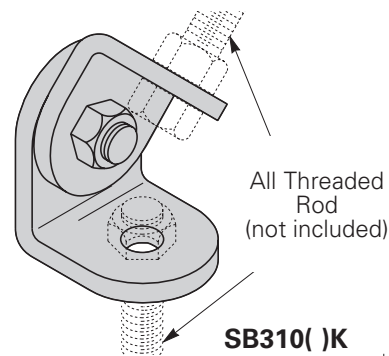
- Use to secure 2" (51mm) x 5/16" (14mm) or 2" (51mm) x 3/8" (9mm) auxiliary support to a wall
- Includes: 1/2"-13 HHCS and hardware
- Order anchors separately
- Material: ASTM A36 1/4" (6mm) x 2" (51mm) x 2" (51mm) structural steel angle
5/8" (16mm) structural steel bar
- Finish ___: Flat black powder coat (FB)
Telco gray powder coat (TG)
Yellow zinc (YZ)
Other finishes are available upon request

Part Number	Weight	
	Lbs.	(kg)
SB210K__	2.25	(1.02)



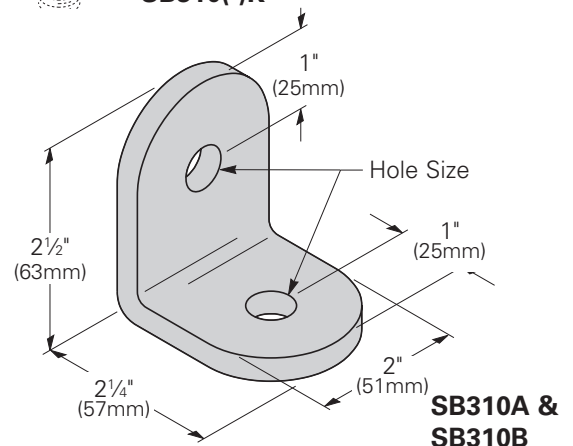
Angled Drop Rod Bracket

- Use to create bracing systems with the use of all threaded rod
- Use kit to secure all threaded rod as a diagonal brace
- SB310AK includes: (2) brackets and 1/2"-13 hardware
- SB310BK includes: (2) brackets and 5/8"-11 hardware
- Material: 1/4" (6mm) ASTM A907 structural steel
- Finish___: Black zinc (BZ) or Yellow zinc (YZ)
Other finishes are available upon request



Part Number	Hole Size		ATR Size		Weight Each	
	in.	(mm)	in.	(mm)	Lbs.	(kg)
SB310A*	9/16"	(14)	1/2"	(13)	0.70	(0.32)
SB310B*	11/16"	(17)	5/8"	(16)	0.70	(0.32)
SB310AK	9/16"	(14)	1/2"	(13)	1.50	(0.68)
SB310BK	11/16"	(17)	5/8"	(16)	1.50	(0.68)

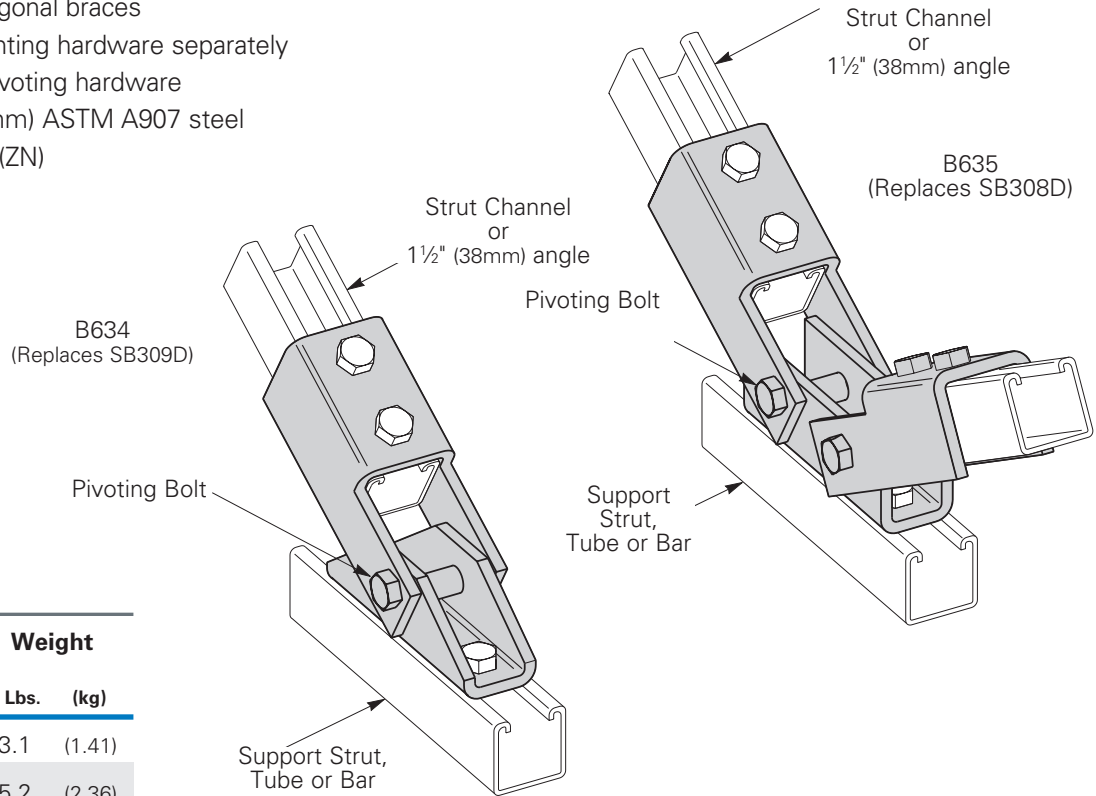
* Single bracket only.



Auxillary Supports & Accessories

Adjustable Single & Double Diagonal Channel Brace Kit

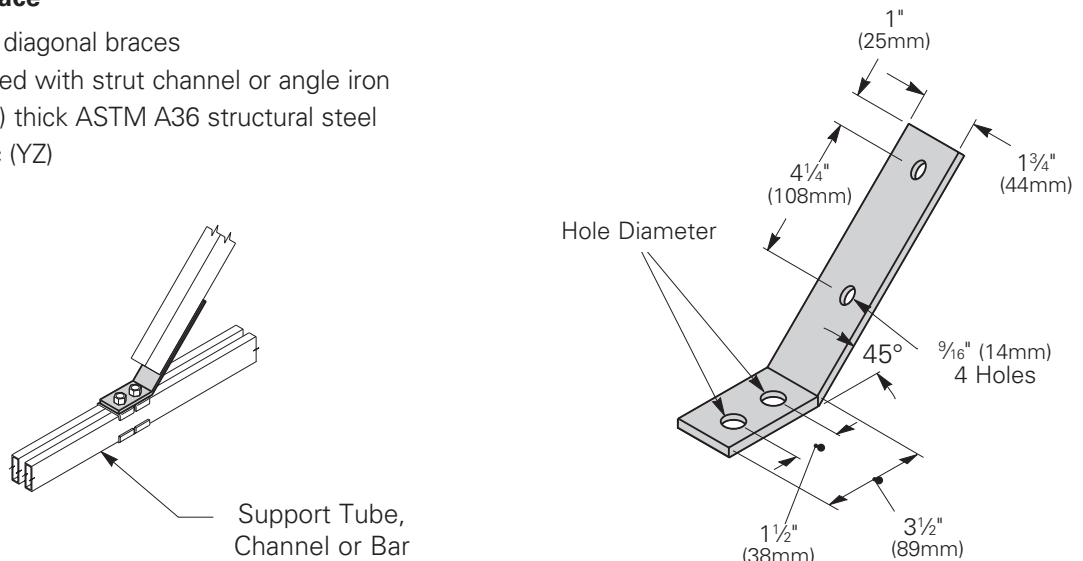
- Use to secure diagonal braces
- Order 1/2"-13 mounting hardware separately
- Includes: 1/2"-13 pivoting hardware
- Material: 1/4" (6.3mm) ASTM A907 steel
- Finish: Clear Zinc (ZN)



Part Number	Weight	
	Lbs.	(kg)
B634	3.1	(1.41)
B635	5.2	(2.36)

Single Diagonal Brace

- Use to secure 45° diagonal braces
- Designed to be used with strut channel or angle iron
- Material: 3/8" (9mm) thick ASTM A36 structural steel
- Finish: Yellow Zinc (YZ)

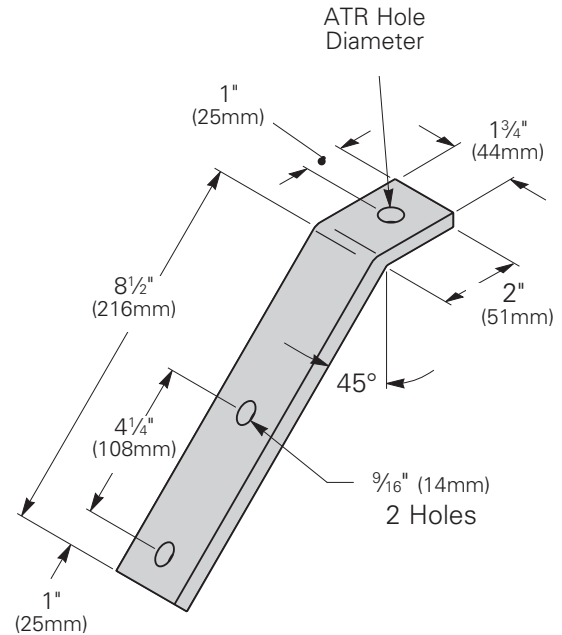
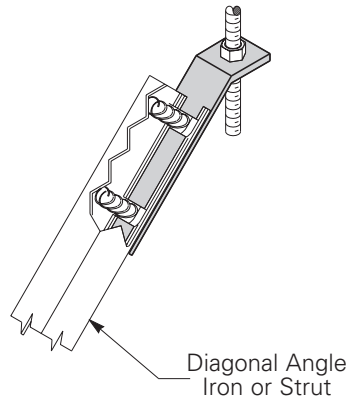


Part Number	Hole Diameter		Weight	
	In.	(mm)	Lbs.	(kg)
SB307A	9/16"	(14)	2.1	(.95)
SB307B	11/16"	(17)	2.1	(.95)

Auxillary Supports & Accessories

Single Diagonal Brace

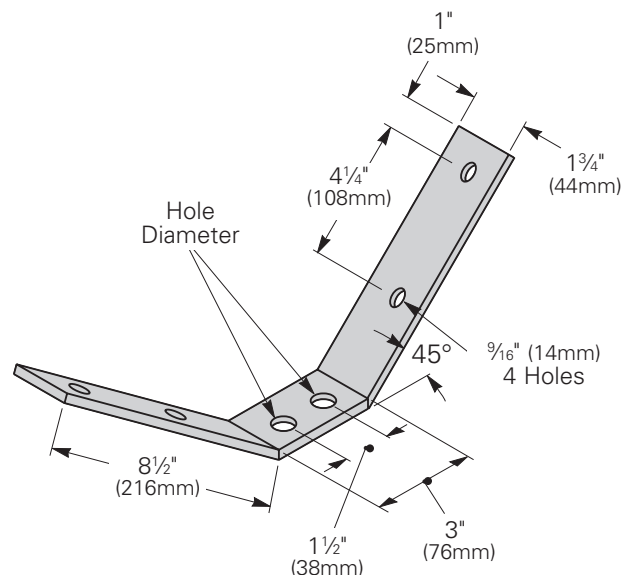
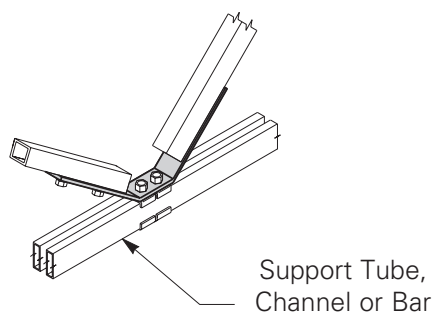
- Use to secure 45° diagonal braces
- Designed to be used with strut channel or angle iron
- See SB-2306 series for kits
- Material: 3/8" (9mm) thick ASTM A36 structural steel
- Finish: Yellow Zinc (YZ)



Part Number	ATR Size	Hole Diameter		Weight	
		In.	(mm)	Lbs.	(kg)
SB309A	1/2"-13	9/16"	(14)	1.84	(.83)
SB309B	5/8"-11	1 1/16"	(17)	1.84	(.83)

Double Diagonal Brace

- Use to secure 45° diagonal braces
- Designed to be used with strut channel or angle iron
- See SB2308 series for kits
- Material: 3/8" (9mm) thick ASTM A36 structural steel
- Finish: Yellow Zinc (YZ)

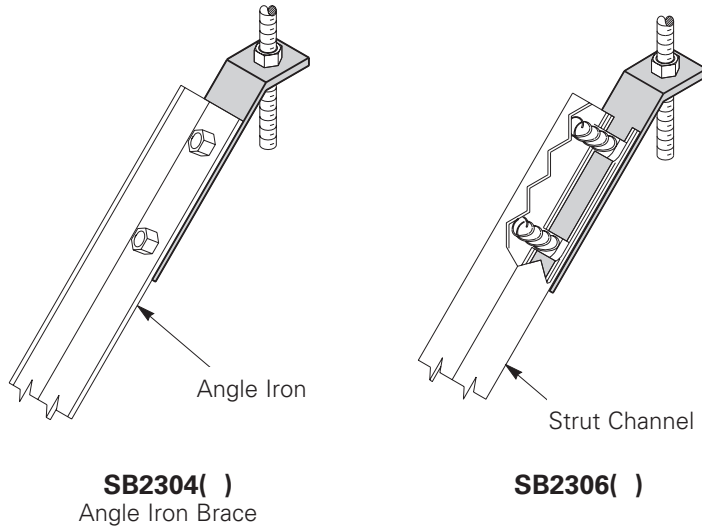


Part Number	Hole Diameter		Weight	
	In.	(mm)	Lbs.	(kg)
SB308A	9/16"	(14)	3.5	(1.59)
SB308B	1 1/16"	(17)	3.5	(1.59)

Auxillary Supports & Accessories

Diagonal Brace Kit

- Use to secure 45° diagonal brace
- Designed to be used with strut channel or angle iron
- Material: ASTM A36 structural steel
- Finish: Yellow Zinc (YZ)

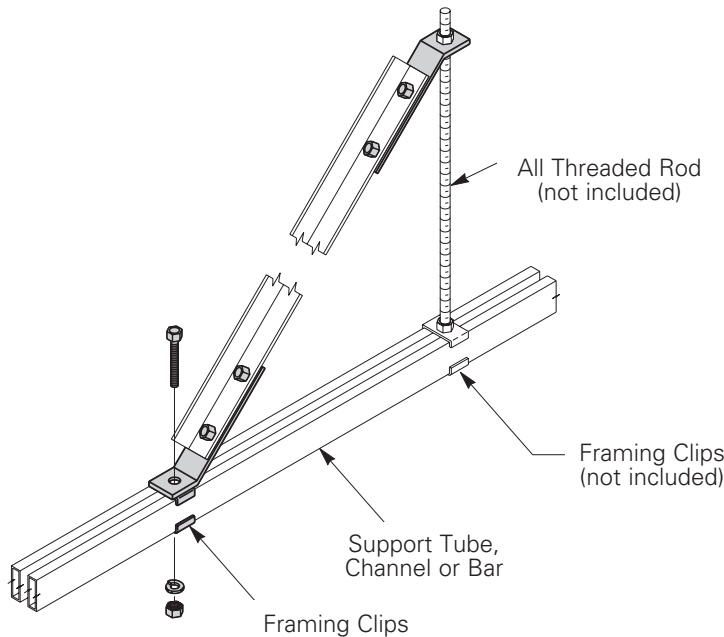


SB2304A includes
 (2) single brace fittings
 (2) framing clips
 (4) 1/2"-13 HHCS, LW, HN
 (1) 5/8"-11 HHCS, LW, HN

SB2304B includes
 (2) single brace fittings
 (2) framing clips
 (4) 1/2"-13 HHCS, LW, HN
 (1) 5/8"-11 HHCS, LW, HN

SB2306A includes
 (2) single brace fittings
 (2) framing clips
 (4) 1/2"-13 HHCS, LW, channel nuts
 (1) 5/8"-11 HHCS, LW, HN

SB2306B includes
 (2) single brace fittings
 (2) framing clips
 (4) 1/2"-13 HHCS, LW, channel nuts
 (1) 5/8"-11 HHCS, LW, HN



Part Number	Support Structure Type		Weight	
	in.	(mm)	Lbs.	(kg)
SB2304A	2" x 9/16"	(51 x 14)	4.9	(2.22)
SB2304B	2" x 3/8"	(51 x 9)	4.9	(2.22)
SB2306A	2" x 9/16"	(51 x 14)	5.6	(2.54)
SB2306B	2" x 3/8"	(51 x 9)	5.5	(2.49)

Auxillary Supports & Accessories

Double Diagonal Brace Kit

- Use to secure 45° diagonal brace
- Designed to be used with strut channel or angle iron
- Material: ASTM A36 structural steel
- Finish: Yellow Zinc (YZ)

SB2307A includes

- (1) double brace fitting
- (2) single brace fittings
- (4) framing clips
- (8) 1/2"-13 HHCS, LW, HN
- (2) 5/8"-11 HHCS, LW, HN

SB2307B includes

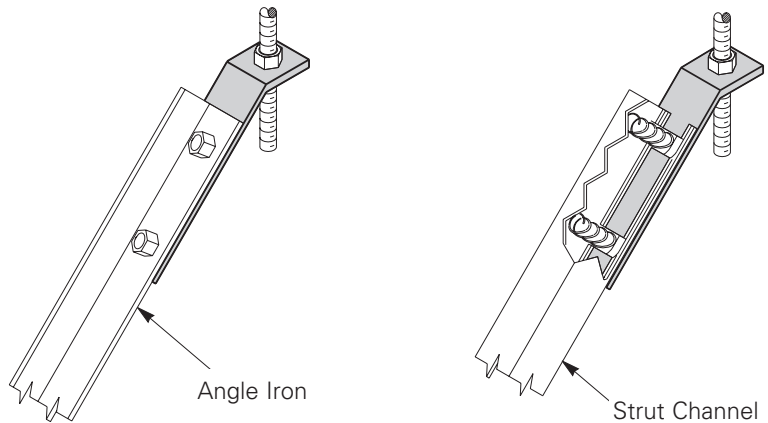
- (1) double brace fitting
- (2) single brace fittings
- (4) framing clips
- (8) 1/2"-13 HHCS, LW, HN
- (2) 5/8"-11 HHCS, LW, HN

SB2308A includes

- (1) double brace fitting
- (2) single brace fittings
- (4) framing clips
- (8) 1/2"-13 HHCS, LW, channel nuts
- (2) 5/8"-11 HHCS, LW, HN

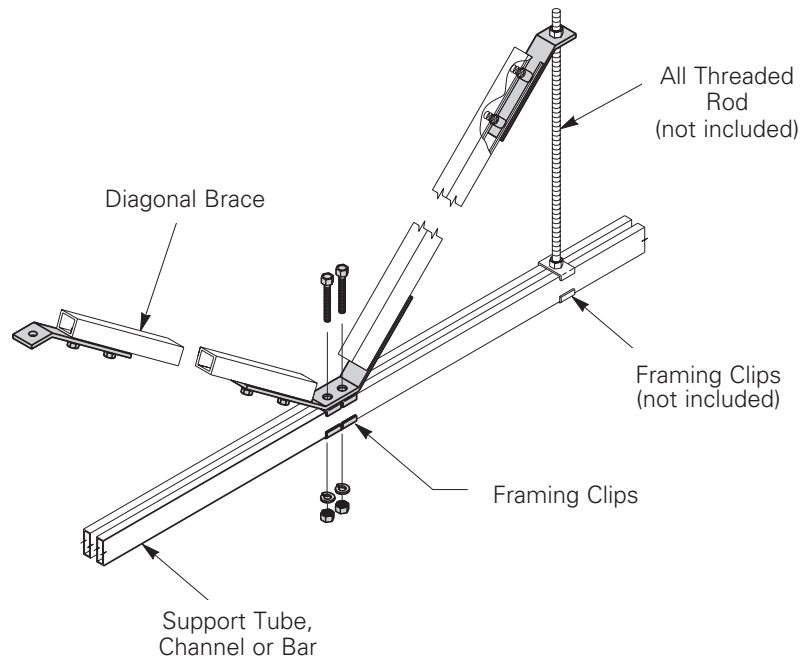
SB2308B includes

- (1) double brace fitting
- (2) single brace fittings
- (4) framing clips
- (8) 1/2"-13 HHCS, LW, channel nuts
- (2) 5/8"-11 HHCS, LW, HN



SB2307()

SB2308()
Strut Channel Brace

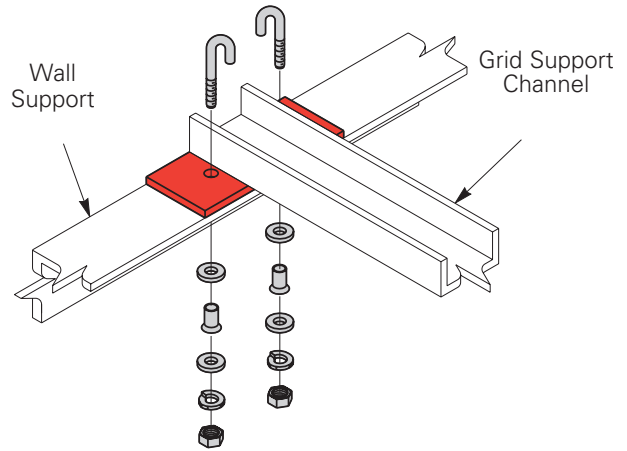


Part Number	Support Structure Type		Weight	
	in.	(mm)	Lbs.	(kg)
SB2307A	2" x 9/16"	(51 x 14)	9.7	(4.40)
SB2307B	2" x 3/8"	(51 x 9)	9.6	(4.35)
SB2308A	2" x 9/16"	(51 x 14)	9.7	(4.40)
SB2308B	2" x 3/8"	(51 x 9)	9.6	(4.35)

Auxillary Supports & Accessories

1" x 2" Support Channel Isolation Kit

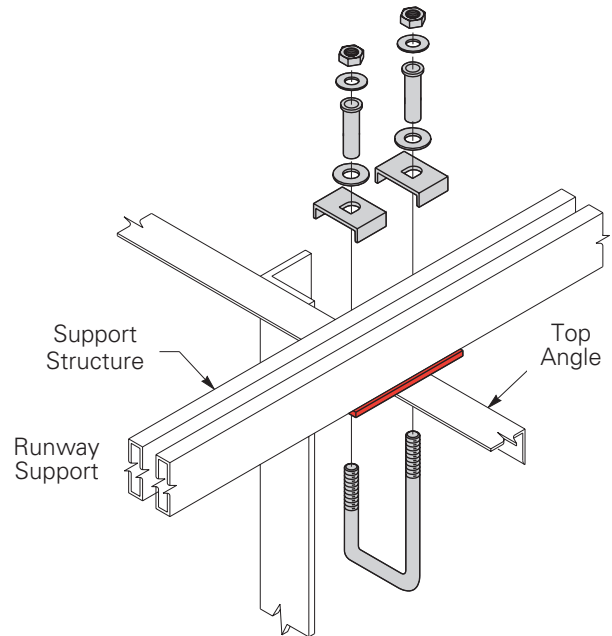
- Use to secure and provide electrical isolation of 1" (25mm) x 2" (51mm) overhead structural support channel to wall support
- Includes: (1) pad, (2) J-Bolts, (2) sleeve kits and $\frac{5}{16}$ "-18 hardware
- Material: Polyester fiberglass - pad
6/6 Nylon - sleeve
Steel - J-Bolt and hardware
- Finish: Pad - Red
Sleeve - Natural
J-Bolts and hardware - Yellow
Zinc (YZ)



Part Number	Weight	
	Lbs.	(kg)
SB2531	0.19	(0.09)

Top Angle Isolation Kit

- Use to secure and provide electrical isolation of 2" (51mm) x $\frac{1}{16}$ " (14mm) or 2" (51mm) x $\frac{3}{8}$ " (9mm) overhead structural support from equipment rack top angle
- Includes: (1) pad, (1) V-Bolt, (2) framing clips, (2) sleeve kits and $\frac{1}{2}$ "-13 hardware
- Material: Polyester fiberglass - pad
6/6 Nylon - sleeve
Steel - V-Bolts, framing clips and hardware
- Finish: Pad - Red
Sleeve - Natural
V-Bolts, framing clips and hardware - Yellow
Zinc (YZ)

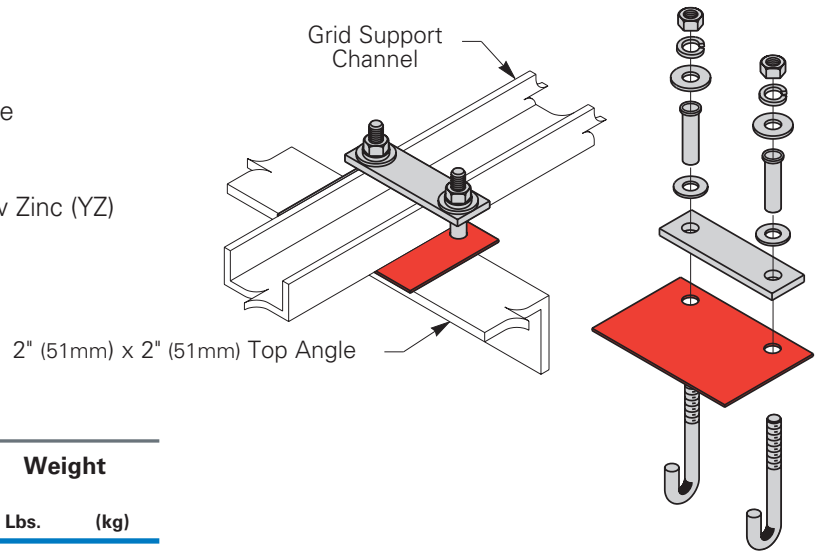


Part Number	Support Frame Size		Top Angle Size		Weight	
	In.	(mm)	In.	(mm)	Lbs.	(kg)
SB2528A	2" x $\frac{1}{16}$ "	(51 x 14)	2" x 2"	(51 x 51)	0.81	(0.37)
SB2528B	2" x $\frac{3}{8}$ "	(51 x 9)	2" x 2"	(51 x 51)	0.77	(0.35)
SB2528C	2" x $\frac{1}{16}$ "	(51 x 14)	1 $\frac{1}{2}$ " x 1 $\frac{1}{2}$ "	(38 x 38)	0.80	(0.36)
SB2528D	2" x $\frac{3}{8}$ "	(51 x 9)	1 $\frac{1}{2}$ " x 1 $\frac{1}{2}$ "	(38 x 38)	0.76	(0.34)

Auxillary Supports & Accessories

Top Angle Isolation Kit

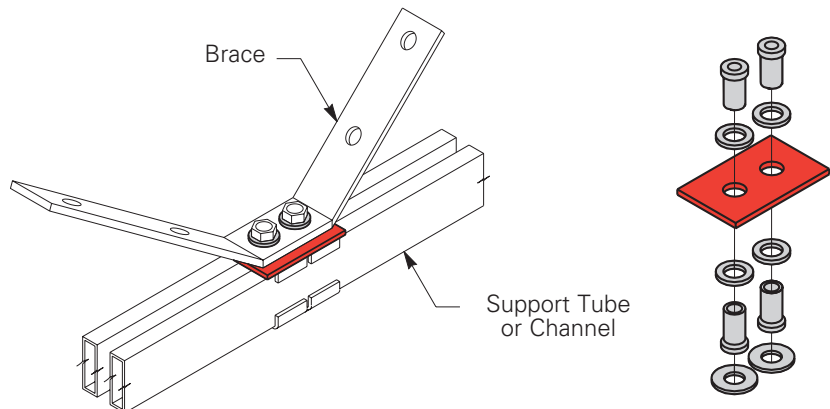
- Use to secure and provide electrical isolation of 1" (25mm) x 2" (51mm) overhead structural support channel from equipment rack top angle
- Sized for 5/16"-18 hardware
- Includes: (1) pad, (1) plate, (2) J-Bolts, (2) sleeve kits and 5/16"-18 hardware
- Material: Polyester fiberglass - pad
6/6 Nylon - sleeve
Steel - plate, J-Bolts and hardware
- Finish: Pad - Red
Sleeve - Natural
Plate, J-Bolts and hardware - Yellow Zinc (YZ)



Part Number	Top Angle Size		Weight	
	In.	(mm)	Lbs.	(kg)
SB2529A	2" x 2"	(51 x 51)	0.51	(0.23)
SB2529B	1½" x 1½"	(38 x 38)	0.51	(0.23)

Diagonal Brace Isolation Kit

- Use to provide electrical isolation of support structure from diagonal brace
- Sized for ½"-13 hardware
- Includes: (1) pad, (2) sleeve kits and (2) ½" flat washers
- Material: Polyester fiberglass - pad
6/6 Nylon - sleeve
Steel - flat washer
- Finish: Pad - Red
Sleeve - Natural
Flat washer - Yellow zinc (YZ)



Part Number	Weight	
	Lbs.	(kg)
SB2526A	0.05	(0.02)

