

Application:
Relaying

Frequency:
50 - 400Hz

Insulation Level:
600 Volts, 10kV BIL full wave

Continuous Thermal Current Rating Factor:

See TRF at curve

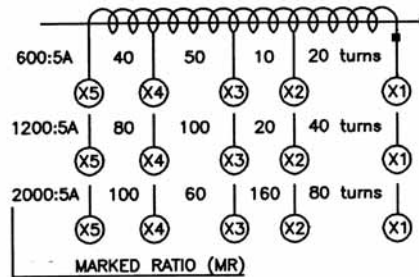
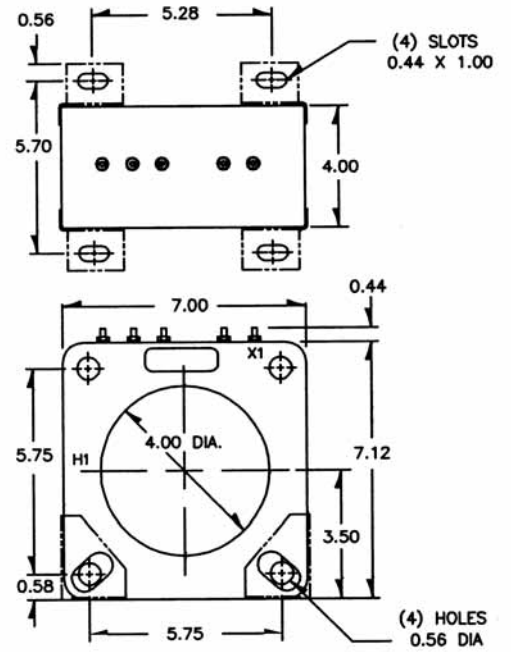
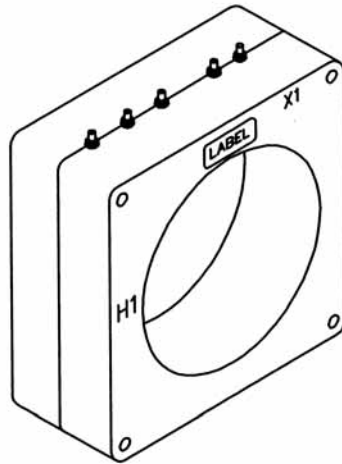
- Terminals are brass studs No. 8 - 32 with one flat washer, lockwasher and regular nut
- The transformer winding is arranged so that the turns are fully distributed between all taps
- Order mounting bracket kit separately
- Approximate weight: 19 lbs

Approvals



Model 115MR

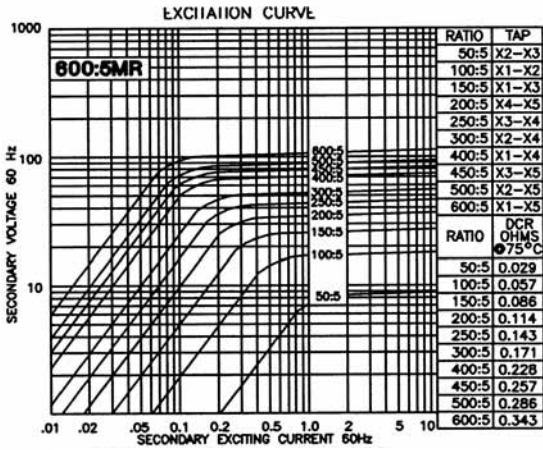
Window Diameter 4.0"



Models 112, 113 and 114 also available as MR

Models 112, 113, 114, 115, 117

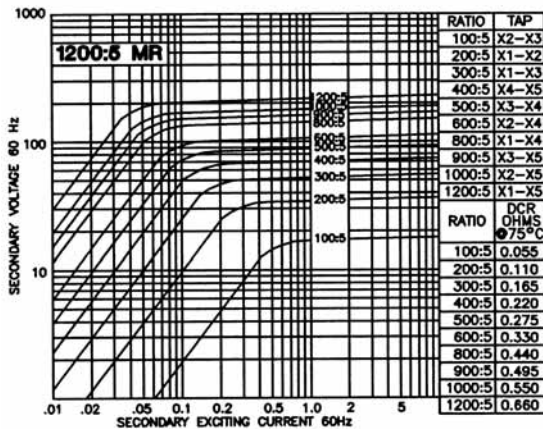
Window Diameter 2.25", 2.75", 3.25", 4.0", 4.62"



Model 115-601MR - rating C50

TRF= 2.00 ● 30°C, 1.5 ● 55°C amb.

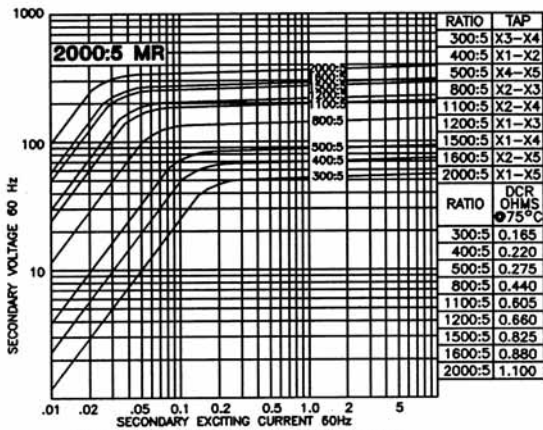
Model
115 - 601MR



Model 115-122MR - rating C100

TRF= 1.33 ● 30°C, 1.0 ● 55°C amb.

Model
115 - 122MR



Model 115-202MR - rating C200

TRF= 1.00 ● 30°C, 0.8 ● 55°C amb.

Model
115 - 202MR