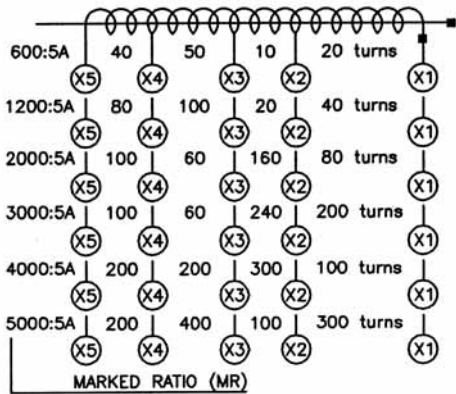
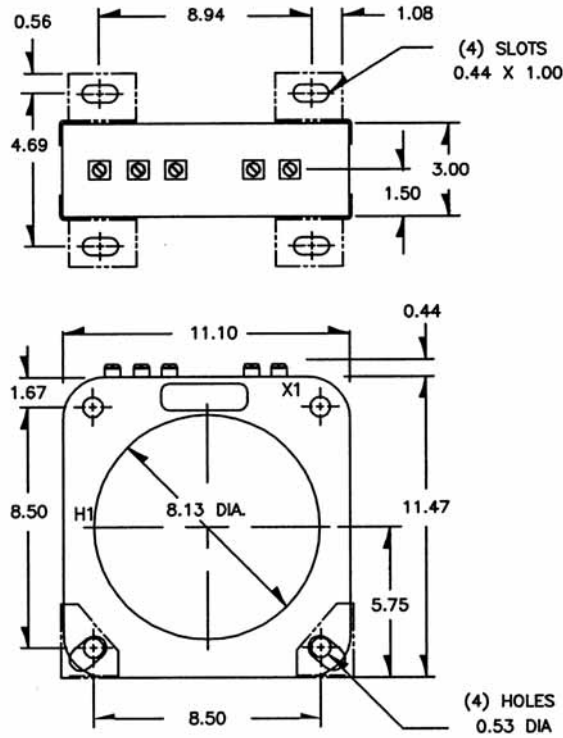
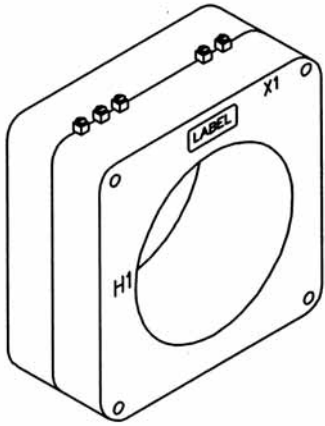


Model 140MR

Window Diameter 8.13"



Application:
Relaying

Frequency:
50 - 400Hz

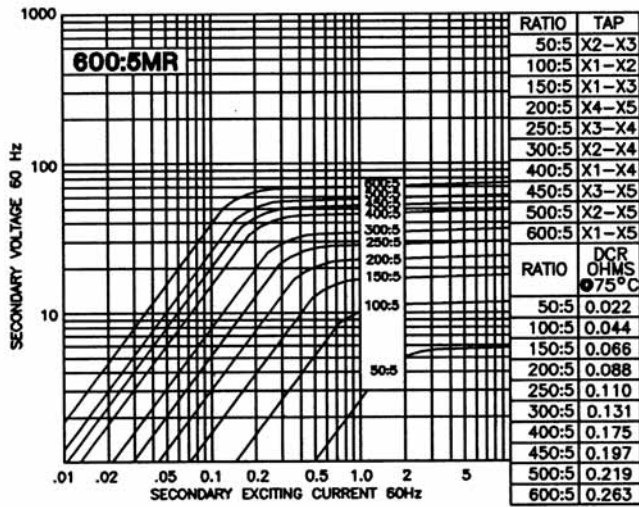
Insulation Level:
600 Volts, 10kV BIL full wave

Continuous Thermal Current Rating Factor:
See TRF at curve

- Terminals are brass studs No. 10 - 32 with one flat washer, lockwasher and regular nut
- The transformer winding is arranged so that the turns are fully distributed between all taps
- Order mounting bracket kit separately
- Approximate weight: 23 lbs

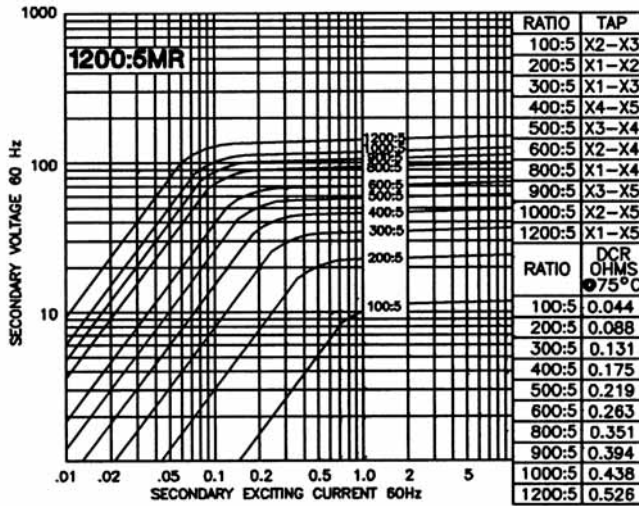
Approvals





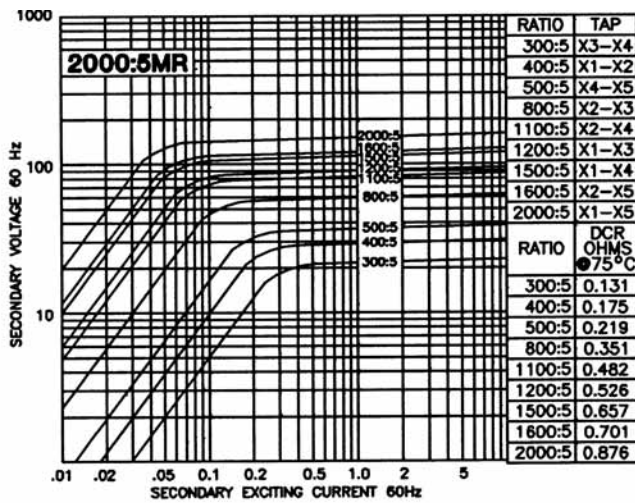
Model 140-60MR - rating C50

TRF= 2.0 ● 30°C, 2.0 ● 55°C amb.



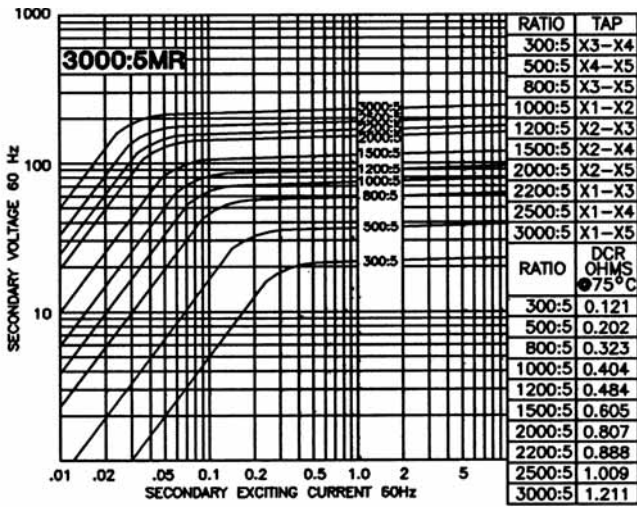
Model 140-122MR - rating C100

TRF= 1.5 ● 30°C, 1.5 ● 55°C amb.



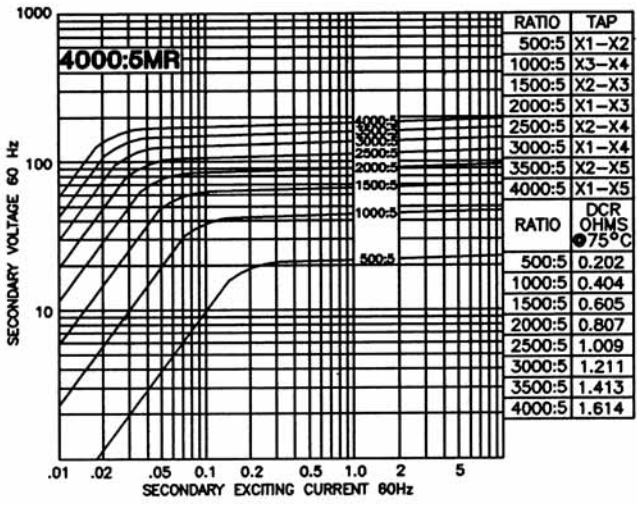
Model 140-202MR - rating C100

TRF= 1.33 ● 30°C, 1.0 ● 55°C amb.



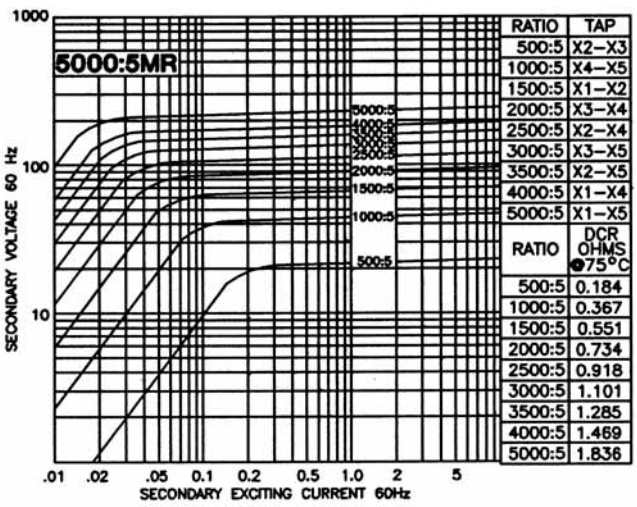
Model 140-302MR - rating C100

TRF= 1.0 @ 30°C, 0.8 @ 55°C amb.



Model 140-402MR - rating C200

TRF= 1.0 @ 30°C, 0.8 @ 55°C amb.



Model 140-502MR - rating C50

TRF= 1.0 @ 30°C, 0.8 @ 55°C amb.