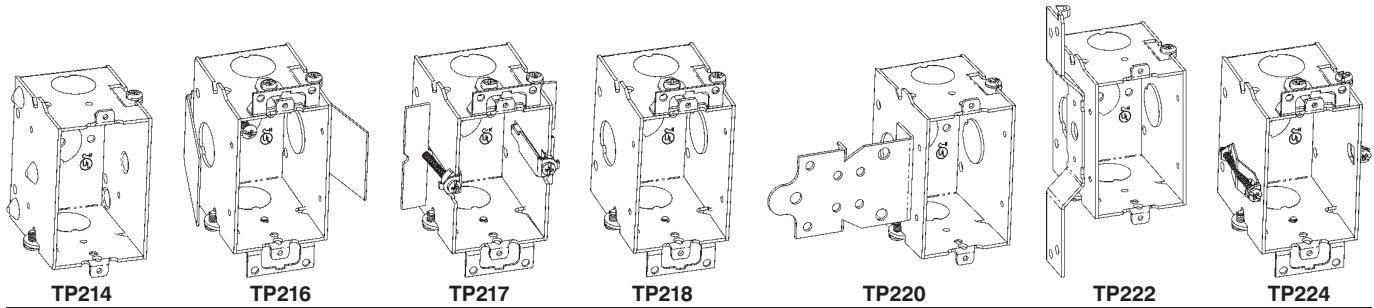


CP Steel Switch Boxes

CP Steel Boxes

2 1/2" DEEP SWITCH BOXES – GANGABLE – 12.5 CUBIC INCH CAPACITY 2" WIDE × 3" LONG FOR CONDUIT – NO CLAMPS

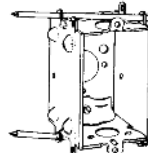


Product Number	Bracket	Ears	Leveling Bumps	Each End	KNOCKOUTS		Std. Unit Pkg.	Wt. Lbs. Per 100
					Each Side	Bottom		
TP214	—	—	Yes	1-1/2"	—	1-1/2"	50	55
TP216	Snap-In	Yes	—	1-1/2"	1-1/2"	—	50	69
TP217	—	Yes	—	1-1/2"	—	1-1/2"	50	64
TP218	—	Yes	—	1-1/2"	1-1/2"	1-1/2"	50	58
TP220	"F", Set 1/2"	—	—	1-1/2"	1-1/2", 1 Side	1-1/2"	50	66
TP222	"S", Set 5/8"	—	—	1-1/2"	1-1/2", 1 Side	1-1/2"	50	65
TP224	Hold-Tite	Yes	—	1-1/2"	—	1-1/2"	50	61

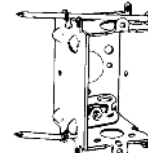
2 1/2" DEEP SWITCH BOXES – "INSTANT ON" – 12.5 CUBIC INCH CAPACITY 2" WIDE × 3" LONG WITH BUMPS – CLAMPS IN EACH END (BUMPS LEVEL THE BOX AGAINST THE SIDE OF STUD, TOP TO BOTTOM, FRONT TO BACK)



TP206



TP210



TP213

Product Number	Clamps	Nails	Each End	KNOCKOUTS		Std. Unit Pkg.	Wt. Lbs. Per 100
				Each Side	Bottom		
TP206	Nonmetallic	—	2-Cable, 1-1/2"	—	1-1/2"	50	61
TP210	Nonmetallic	Angle	2-Cable, 1-1/2"	—	1-1/2"	50	66
TP213	Armored Cable	Angle	2-Cable, 1-1/2"	—	1-1/2"	50	66